

天线规格书

Antenna Specific

制造商(Manufacturer) : Zhejiang Dusun Electron Co., Ltd

地址(address) : Floor 8, Building A, Wantong Center, Hangzhou, China

产品种类: FPC Antenna

Product Type: FPC Antenna

产品技术指标(Technical parameter)

Electronic Parameter	
频率范围 (Frequency Range)	2400~2500MHz
输入阻抗 (input impedance)	50 Ω
驻波比 (VSWR)	≤ 2
增益 (Gain)	Max 0.0dBi
Physical Parameter	
材料 (Material)	PCB/Cu
工作温度 (operation temperature)	-30 $^{\circ}$ C~+80 $^{\circ}$ C
储存温度 (store temperature)	-30 $^{\circ}$ C~+80 $^{\circ}$ C

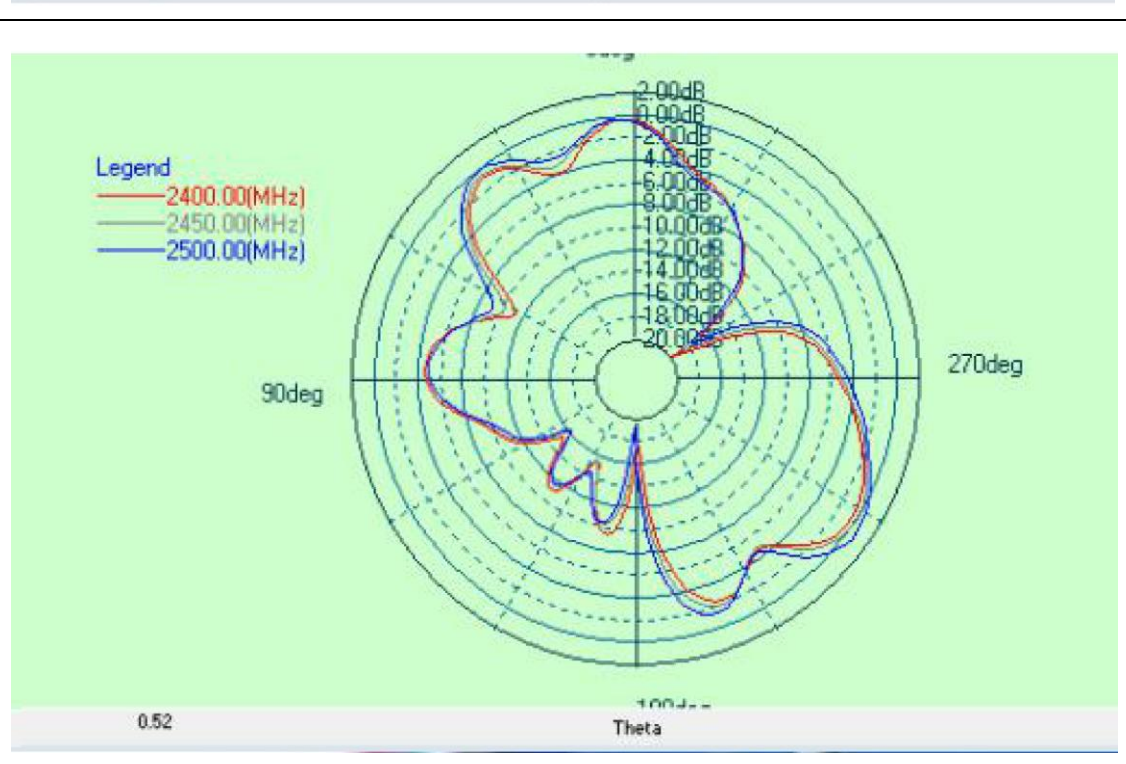
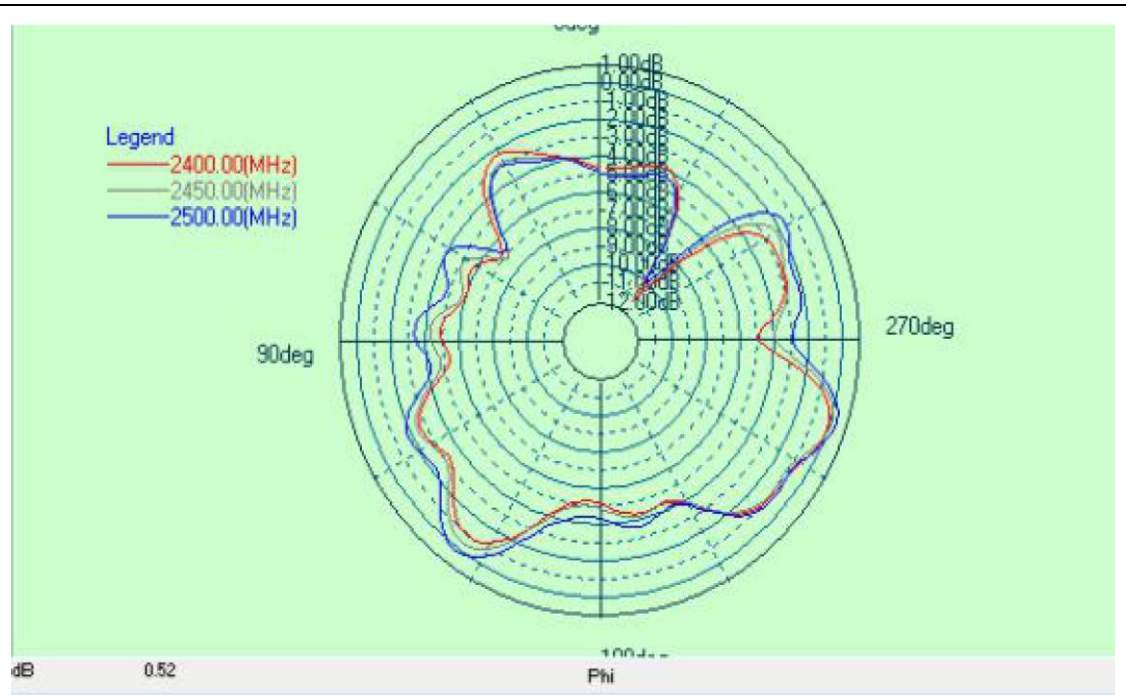
产品规格图(Antenna Specification chart)

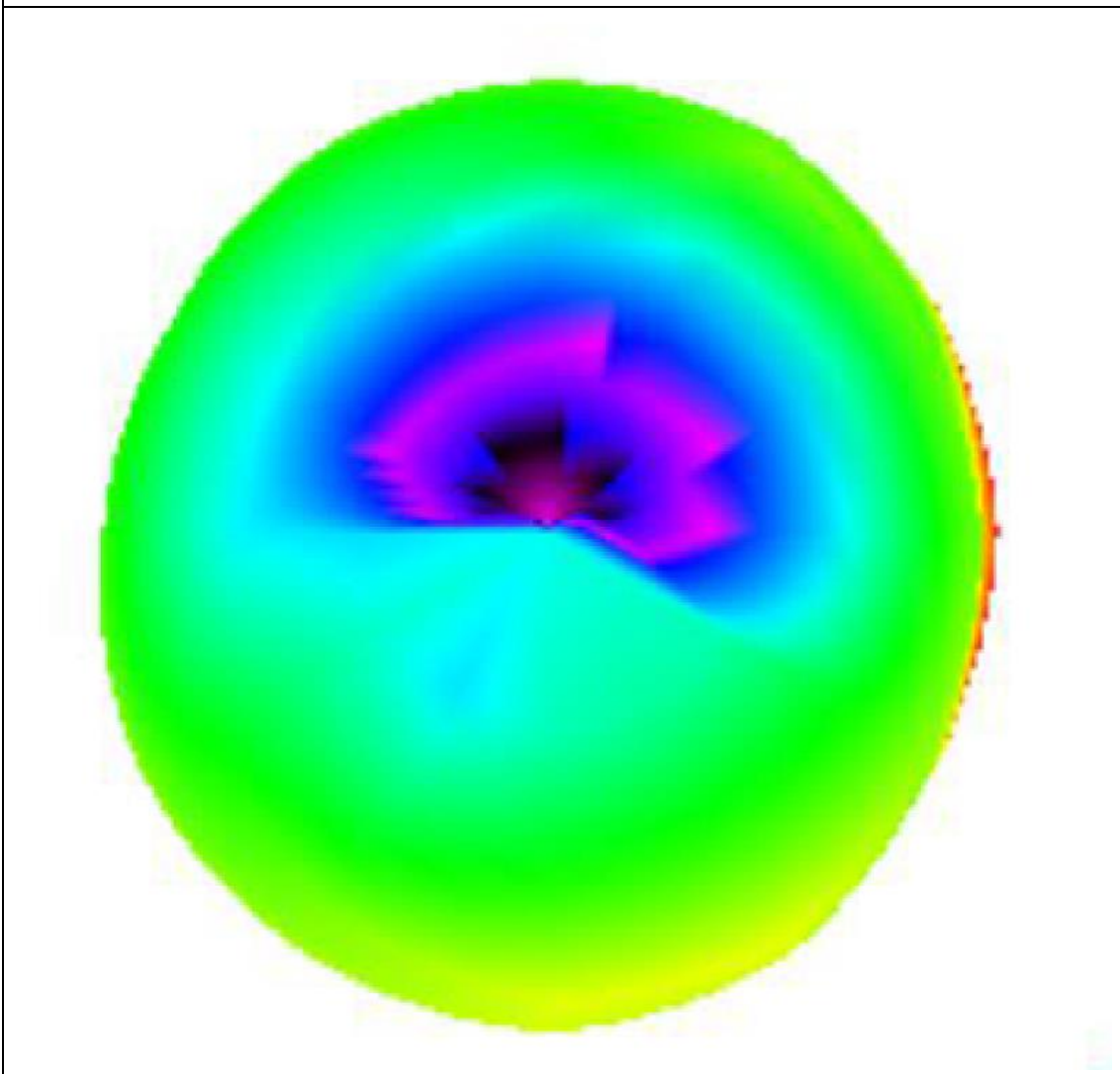
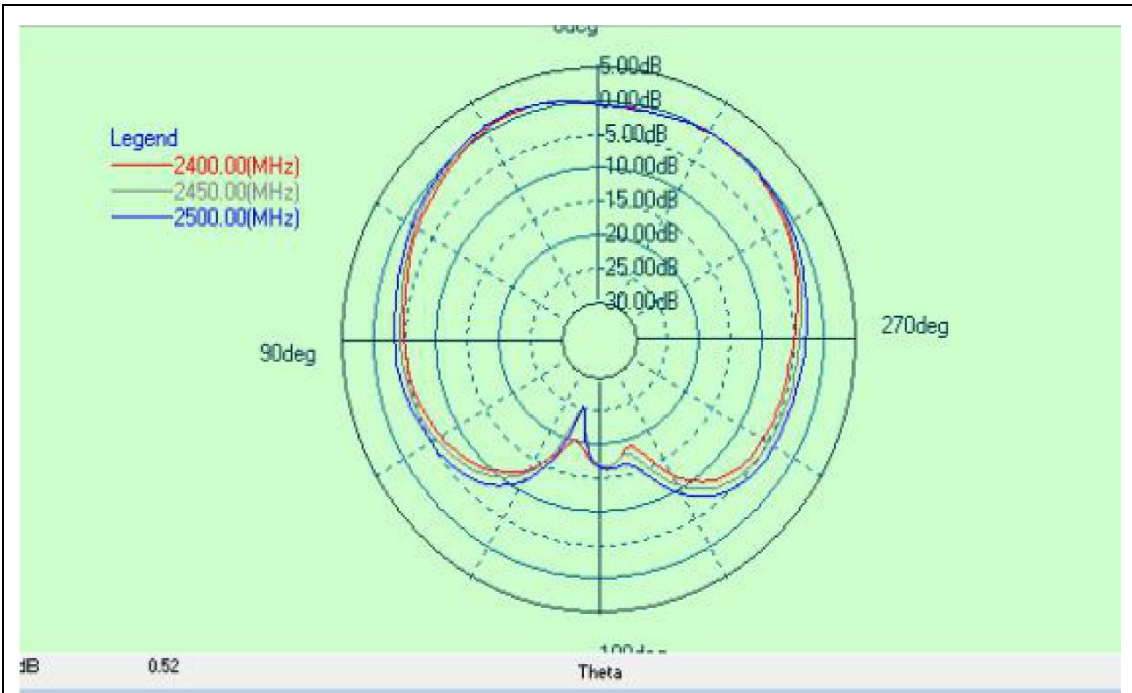


Test Result:

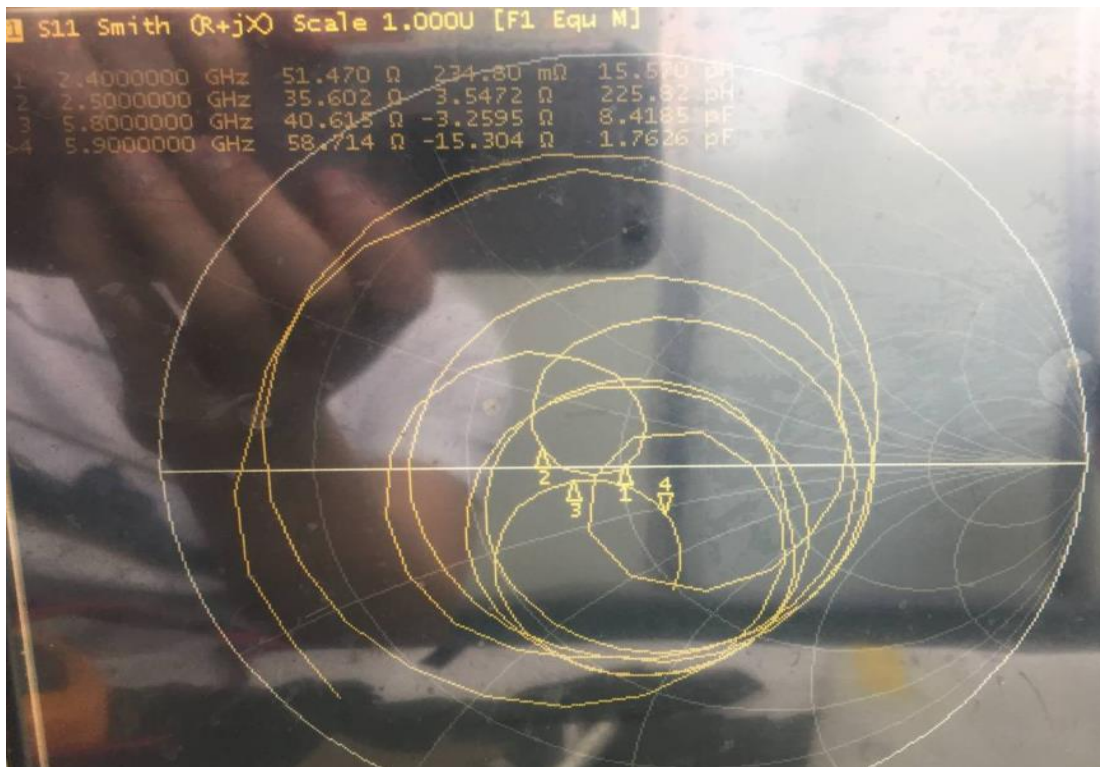
Frequency	Gain. dBi	Frequency	Efficiency
2400MHz	-0.21	2400MHz	27%
2450MHz	0.0	2450MHz	32%
2500MHz	-0.61	2500MHz	39%

Direction:





Smith Chart:



VSWR:

