



FCC TEST REPORT

**Test report
On Behalf of
Hangzhou Roombanker Technology Co., Ltd.
For
Outdoor LoRa Gateway
Model No.: DSGW-014, DSGW-014-x(x:1~8)**

FCC ID: 2AUXBDSGW-014

Prepared for : Hangzhou Roombanker Technology Co., Ltd.
A#801 Wantong center, Hangzhou, China

Prepared By : Shenzhen Tongzhou Testing Co., Ltd
1th Floor, Building 1, Haomai High-tech Park, Huating Road 387, Dalang Street,
Longhua, Shenzhen, China

Date of Test: Apr.3, 2023~May.26, 2023

Date of Report: May.29, 2023

Report Number: TZ230404203-E7

The test report apply only to the specific sample(s) tested under stated test conditions
It is not permitted to copy extracts of these test result without the written permission of the test laboratory.



TEST RESULT CERTIFICATION

Applicant's name : **Hangzhou Roombanker Technology Co., Ltd.**

Address..... : A#801 Wantong center, Hangzhou, China

Manufacture's Name : **Hangzhou Roombanker Technology Co., Ltd.**

Address..... : A#801 Wantong center, Hangzhou, China

Product description

Trade Mark..... : Dusun

Product name..... : Outdoor LoRa Gateway

Model and/or type reference . : DSGW-014, DSGW-014-x(x:1~8)

Standards : FCC Rules and Regulations Part 22 & Part 24 & Part 27& Part 90
ANSI C63.26:2015

This publication may be reproduced in whole or in part for non-commercial purposes as long as the Shenzhen Shenzhen Tongzhou Testing Co., Ltd Testing Technology Co., Ltd. is acknowledged as copyright owner and source of the material. Shenzhen Shenzhen Tongzhou Testing Co., Ltd Testing Technology Co., Ltd. takes no responsibility for and will not assume liability for damages resulting from the reader's interpretation of the reproduced material due to its placement and context.

Date of Test..... :

Date (s) of performance of tests : **Apr.3, 2023~May.26, 2023**

Date of Issue : **May.29, 2023**

Test Result : **Pass**

Testing Engineer : Anna Hu
(Anna Hu)

Technical Manager : Hugo Chen
(Hugo Chen)

Authorized Signatory : Andy Zhang
(Andy Zhang)



Revision History

Revision	Issue Date	Revisions	Revised By
000	May.29, 2023	Initial Issue	Andy Zhang



Contents

1 TEST STANDARDS	5
2 SUMMARY	6
2.1 Product Description	6
2.2 Host System Configuration List and Details.....	8
2.3 Short description of the Equipment under Test (EUT)	8
2.5 Normal Accessory setting.....	8
2.6 EUT configuration.....	8
2.7 Related Submittal(s) / Grant (s).....	8
2.8 Modifications	8
3 TEST ENVIRONMENT	9
3.1 Test Facility	9
3.2 Environmental conditions	9
3.3 Test Description.....	9
3.4 Equipments Used during the Test.....	12
3.5 Measurement uncertainty.....	13
4 TEST CONDITIONS AND RESULTS.....	14
4.1 E.I.R.P / E.R.P.....	14
4.2 Radiated Spurious Emssion.....	34
5 Test Set up Photos of the EUT	44
6 External Photos of the EUT	44
7 Internal Photos of the EUT	44



1 TEST STANDARDS

The tests were performed according to following standards:

[FCC Part 2](#): FREQUENCY ALLOCATIONS AND RADIO TREATY MATTERS; GENERAL RULES AND REGULATIONS

[FCC Part 22 Subpart H](#): PRIVATE LAND MOBILE RADIO SERVICES.

[FCC Part 24 Subpart E](#): PUBLIC MOBILE SERVICES

[FCC Part 27](#): Miscellaneous Wireless Communications Services.

[FCC Part 90](#): PRIVATE LAND MOBILE RADIO SERVICES

[ANSI/TIA-603-E-2016](#): Land Mobile FM or PM Communications Equipment Measurement and Performance Standards.

[ANSI C63.26-2015](#): IEEE/ANSI Standard for Compliance Testing of Transmitters Used in Licensed Radio Services

[FCC KDB 971168D01](#) Power Meas License Digital Systems



2 SUMMARY

2.1 Product Description

Product Name	: Outdoor LoRa Gateway
Model Number	: DSGW-014, DSGW-014-x(x:1~8)
Model Difference Declaration	: All the same except for the model name
Test Model	: DSGW-014
Power Supply	: DC 48V supply by POE
Hardware version	: B45161209A
Software version	: V1.0
Sample ID	: TZ230404203-1#&TZ230404203-2#

LoRa

LoRa-Hybrid Mode

Frequency Range	: 902.3 – 914.9 MHz
Channel Number	: 64 Channels
Modulation Technology	: LORA
Antenna Type And Gain	: External Antenna /1.2 dBi(Max)

Bluetooth

Bluetooth Version	: V2.1
Operation Frequency	: 2402- 2480 MHz
Channel Number	: 79 Channels for Bluetooth BR/EDR(DSS)
Modulation Technology	: GFSK, $\pi/4$ -DQPSK, 8-DPSK for Bluetooth BR/EDR (DSS)
Data Rates	: Bluetooth BR/EDR (DSS): 1/2/3Mbps
Antenna Type And Gain	: External Antenna /3.0dBi(Max)

WiFi

WLAN	: Supported IEEE 802.11a/b/g/n/ac IEEE 802.11b:2412-2462MHz IEEE 802.11g:2412-2462MHz IEEE 802.11n HT20:2412-2462MHz / 5180-5240MHz / 5745-5825MHz
WLAN FCC Operation Frequency	: IEEE 802.11n HT40: 2422-2452MHz / 5190-5230MHz / 5755-5795MHz IEEE 802.11a: 5180-5240MHz / 5745-5825MHz IEEE 802.11ac VHT20: 5180-5240MHz / 5745-5825MHz IEEE 802.11ac VHT40: 5190-5230MHz / 5755-5795MHz IEEE 802.11ac VHT80: 5210MHz / 5775MHz
WLAN Channel Number	: 11 Channels for 2412-2462MHz(IEEE 802.11b/g/n HT20) 7 Channels for 2422-2452MHz(IEEE 802.11n HT40) 4 Channels for 5180-5240MHz (IEEE 802.11a/ac VHT20/n HT20) 2 Channels for 5190-5230MHz (IEEE 802.11ac VHT40/n HT40) 1 Channels for 5210MHz (IEEE 802.11ac VHT80) 5 Channels for 5745-5825MHz(IEEE 802.11a/ac VHT20/n HT20) 2 Channels for 5755-5795MHz(IEEE 802.11ac VHT40/n HT40) 1 Channels for 5775MHz(IEEE 802.11ac VHT80)
WLAN Modulation Technology	: IEEE 802.11b: DSSS(CCK,DQPSK,DBPSK) IEEE 802.11g: OFDM (64QAM, 16QAM, QPSK, BPSK)



IEEE 802.11n: OFDM (64QAM, 16QAM, QPSK, BPSK)
IEEE 802.11a: OFDM (64QAM, 16QAM, QPSK, BPSK)
IEEE 802.11ac: OFDM (256QAM, 64QAM, 16QAM, QPSK, BPSK)

Antenna Type And Gain : 3.00dBi (Max.), for TX/RX (WLAN 2.4G Band)
: 1.78dBi (Max.), for TX/RX (WLAN 5.2G Band)
: 2.09dBi (Max.), for TX/RX (WLAN 5.8G Band)

UTRA

UTRA FCC Operation Frequency : WCDMA BAND II (UL: 1850 – 1910 MHz/DL: 1930 – 1990 MHz)
: WCDMA BAND IV (UL: 1710 – 1755 MHz/DL: 2110 – 2155 MHz)
: WCDMA BAND V (UL: 824 – 849 MHz/DL: 869 – 894 MHz)

Channel Separation : 0.2MHz

Modulation Technology : OFDM (16QAM, QPSK)

Antenna Type And Gain : External Antenna
: WCDMA BAND II: 1.8dBi
: WCDMA BAND IV: 1.5dBi
: WCDMA BAND V: -0.6dBi

E-UTRA

E-UTRA FCC Operation Frequency : FDD Band 2 (UL: 1850 – 1910 MHz/DL: 1930 – 1990 MHz)
: FDD Band 4 (UL: 1710 – 1755 MHz/DL: 2110 – 2155 MHz)
: FDD Band 5 (UL: 824 – 849 MHz/DL: 869 – 894 MHz)
: FDD Band 12(UL: 699 – 716 MHz/DL: 729 – 746 MHz)
: FDD Band 13(UL: 777 – 787 MHz/DL: 746 – 756 MHz)
: FDD Band 25(UL: 1850 – 1915 MHz/DL: 1930 – 1995 MHz)
: FDD Band 26 (UL: 814 – 849 MHz/DL: 859 – 894 MHz)

Channel Separation : 0.1 MHz

Modulation Technology : OFDM (16QAM, QPSK)

Antenna Type And Gain : External Antenna
: FDD Band 2:1.8 dBi
: FDD Band 4:1.5 dBi
: FDD Band 5:-0.6 dBi
: FDD Band 12:-1.2 dBi
: FDD Band 13:-1.1 dBi
: FDD Band 25:1.8dBi
: FDD Band 26:-0.6 dBi

Note 1: Antenna position refer to EUT Photos.

Note 2: the above information was supplied by the applicant..



2.2 Host System Configuration List and Details

Manufacturer	Description	Model	Serial Number	Certificate

2.3 Short description of the Equipment under Test (EUT)

2.3.1 General Description

EUT is subscriber equipment in the LTE/WCDMA/GSM system. Support bands as list in section 2.1 of this report.

2.5 Normal Accessory setting

Fully charged battery was used during the test.

2.6 EUT configuration

The following peripheral devices and interface cables were connected during the measurement:

supplied by the lab supplied by the manufacturer

Manufacturer	Description	Model	Serial Number	Certificate
TRENDnet	N/A	TPE-S44	N/A	N/A

2.7 Related Submittal(s) / Grant (s)

This submittal(s) (test report) is intended for **FCC ID: 2AUXBDSGW-014** filing to comply with FCC Rules.

2.8 Modifications

No modifications were implemented to meet testing criteria.



3 TEST ENVIRONMENT

3.1 Test Facility

FCC

Designation Number: CN1275

Test Firm Registration Number: 167722

Shenzhen Tongzhou Testing Co.,Ltd has been listed on the US Federal Communications Commission list of test facilities recognized to perform electromagnetic emissions measurements

A2LA

Certificate Number: 5463.01

Shenzhen Tongzhou Testing Co.,Ltd has been listed by American Association for Laboratory Accreditation to perform electromagnetic emission measurement.

IC

ISED#: 22033

CAB identifier: CN0099

Shenzhen Tongzhou Testing Co.,Ltd has been listed by Innovation, Science and Economic Development Canada to perform electromagnetic emission measurement.

The 3m-Semi anechoic test site fulfils CISPR 16-1-4 according to ANSI C63.10 and CISPR 16-1-4:2010

3.2 Environmental conditions

During the measurement the environmental conditions were within the listed ranges:

Temperature:	15-35 ° C
Humidity:	30-60 %
Atmospheric pressure:	950-1050mbar

3.3 Test Description

FDD Band 2/25[Part 24]

Test Item	FCC Rule No.	Requirements	Judgement	Sample ID
Effective (Isotropic) Radiated Power	2.1046, 24.232(c)	EIRP ≤ 2W(33dBm)	Pass	TZ230404203-2#
Bandwidth	2.1049 24.238(a)	OBW: No limit. EBW: No limit.	Pass	Note1
Band Edges	2.1051, 24.238(a)	-13dBm	Pass	Note1
Spurious Emission at Antenna Terminals	2.1051, 24.238(a)	-13dBm	Pass	Note1
Field Strength of Spurious Radiation	2.1053, 24.238(a)	-13dBm	Pass	TZ230404203-2#
Frequency Stability	2.1055, 24.235	the fundamental emission stays within the authorized frequency block.	Pass	Note1
Peak to average ratio	24.232(d)	<13dB	Pass	Note1



FDD Band 5[Part 22]

Test Item	FCC Rule No.	Requirements	Judgement	Sample ID
Effective (Isotropic) Radiated Power	2.1046, 22.913(a)	ERP ≤ 7W(38.5dBm)	Pass	TZ230404203-2#
Occupied Bandwidth	2.1049	OBW: No limit.	Pass	Note1
Emission Bandwidth	22.917(b)	EBW: No limit.	Pass	Note1
Band Edges Compliance	2.1051, 22.917(a)(b)	-13dBm	Pass	Note1
Spurious Emission at Antenna Terminals	2.1051, 22.917	-13dBm	Pass	Note1
Field Strength of Spurious Radiation	2.1053, 22.917	-13dBm	Pass	TZ230404203-2#
Frequency Stability	2.1055, 22.355	the fundamental emissions stay within the authorized bands of operation. (2.5ppm)	Pass	Note1
Peak to average ratio	2.1046, 22.913(a)	<13dB	Pass	Note1

FDD Band26[Part 22,90]

Test Item	FCC Rule No.	Requirements	Judgement	Sample ID
Effective (Isotropic) Radiated Power	2.1046, 22.913(a) 90.635	ERP ≤ 7W(38.5dBm) for 824 – 849MHz ERP ≤ 100W(50dBm) for 814 – 824 Mhz	Pass	TZ230404203-2#
Occupied Bandwidth	2.1049	OBW: No limit.	Pass	Note1
Emission Bandwidth	-- 22.917(b)	EBW: No limit.	Pass	Note1
Band Edges Compliance	2.1051 90.691 22.917(a)(b)	Detail in 90.691 and 22.917(a)(b)	Pass	Note1
Spurious Emission at Antenna Terminals	2.1051, 90.691 22.917	-13dBm	Pass	Note1
Field Strength of Spurious Radiation	2.1053, 90.691 22.917	-13dBm	Pass	TZ230404203-2#
Frequency Stability	2.1055, 90.213 22.355	the fundamental emissions stay within the authorized bands of operation. (2.5ppm)	Pass	Note1
Peak to average ratio	2.1046, 22.913(a)	<13dB	Pass	Note1

FDD Band 4[Part 27]

Test Item	FCC Rule No.	Requirements	Judgement	Sample ID
Effective (Isotropic) Radiated Power	2.1046, 27.50(d)	ERP ≤ 1W(30dBm)	Pass	TZ230404203-2#
Occupied Bandwidth	2.1049	OBW: No limit.	Pass	Note1
Emission Bandwidth	2.1049	EBW: No limit.	Pass	Note1
Band Edges Compliance	2.1051, 27.53(h)	≤ -13 dBm/1%*EBW, in 1 MHz bands immediately outside and adjacent to the frequency block.	Pass	Note1
Spurious Emission at Antenna Terminals	2.1051, 27.53(h)	-13dBm	Pass	Note1
Field Strength of Spurious Radiation	2.1053, 27.53(h)	-13dBm	Pass	TZ230404203-2#
Frequency Stability	2.1055, 27.54	the fundamental emissions stay within the authorized bands of operation. (2.5ppm)	Pass	Note1
Peak to average ratio	2.1046, 27.50(d)	<13dB	Pass	Note1



FDD Band 12[Part 27]

Test Item	FCC Rule No.	Requirements	Judgement	Sample ID
Effective (Isotropic) Radiated Power	2.1046, 27.50(c)	ERP ≤ 3W(34.8dBm)	Pass	TZ230404203-2#
Occupied Bandwidth	2.1049	OBW: No limit.	Pass	Note1
Emission Bandwidth	2.1049	EBW: No limit.	Pass	Note1
Band Edges Compliance	2.1051, 27.53(g)	≤ -13 dBm/1%*EBW, in 1 MHz bands immediately outside and adjacent to the frequency block.	Pass	Note1
Spurious Emission at Antenna Terminals	2.1051, 27.53(g)	-13dBm	Pass	Note1
Field Strength of Spurious Radiation	2.1053, 27.53(g)	-13dBm	Pass	TZ230404203-2#
Frequency Stability	2.1055, 27.54	the fundamental emissions stay within the authorized bands of operation. (2.5ppm)	Pass	Note1
Peak to average ratio	2.1046, 27.50(d)	<13dB	Pass	Note1

FDD Band 13[Part 27]

Test Item	FCC Rule No.	Requirements	Judgement	Sample ID
Effective (Isotropic) Radiated Power	2.1046, 27.50(b)	ERP ≤ 3W(34.8dBm)	Pass	TZ230404203-2#
Occupied Bandwidth	2.1049	OBW: No limit.	Pass	Note1
Emission Bandwidth	2.1049	EBW: No limit.	Pass	Note1
Band Edges Compliance	2.1051, 27.53(c)	27.53(c) for detail	Pass	Note1
Spurious Emission at Antenna Terminals	2.1051, 27.53(c)	-13dBm	Pass	Note1
Field Strength of Spurious Radiation	2.1053, 27.53(c)	-13dBm	Pass	TZ230404203-2#
Frequency Stability	2.1055, 27.54	the fundamental emissions stay within the authorized bands of operation. (2.5ppm)	Pass	Note1
Peak to average ratio	2.1046, 27.50(d)	<13dB	Pass	Note1

Remark: The measurement uncertainty is not included in the test result.

Note1: the LTE module in this product has already finished the certification(FCC ID: XMR201909EG91NAX), Reference the results in the original test report



3.4 Equipments Used during the Test

Item	Test Equipment	Manufacturer	Model No.	Serial No.	Calibration Date	Calibration Due Date
1	MXA Signal Analyzer	Keysight	N9020A	MY52091623	2022/12/28	2023/12/27
2	Power Sensor	Agilent	U2021XA	MY5365004	2022/12/28	2023/12/27
3	Loop Antenna	schwarzbeck	FMZB1519 B	00023	2022/11/13	2025/11/12
4	Wideband Antenna	schwarzbeck	VULB 9163	958	2022/11/13	2025/11/12
5	Horn Antenna	schwarzbeck	BBHA 9120D	01989	2022/11/13	2025/11/12
6	EMI Test Receiver	R&S	ESCI	100849/003	2022/12/28	2023/12/27
7	Controller	MF	MF7802	N/A	N/A	N/A
8	Amplifier	schwarzbeck	BBV 9743	209	2022/12/28	2023/12/27
9	Amplifier	Tonscend	TSAMP-0518SE	--	2022/12/28	2023/12/27
10	RF Cable(below 1GHz)	HUBER+SUHNER	RG214	N/A	2022/12/28	2023/12/27
11	RF Cable(above 1GHz)	HUBER+SUHNER	RG214	N/A	2022/12/28	2023/12/27
12	RE test software	Tonscend	JS32-RE	V2.0.2.0	N/A	N/A
12	Test Software	Tonscend	JS1120-3	V2.5.77.0418	N/A	N/A
14	Horn Antenna	A-INFO	LB-180400-KF	J211020657	2022/12/28	2023/12/27
15	Amplifier	CDSA	PAP-1840	17021	2022/12/28	2023/12/27
16	Spectrum Analyzer	R&S	FSP40	100550	2023/1/10	2024/1/9
17	UNIVERSAL RADIO COMMUNICATION	R&S	CMW500	101855	2022/12/28	2023/12/27
18	Signal Generator	Keysight	N5182A	MY4620709	2022/12/28	2023/12/27



3.5 Measurement uncertainty

The data and results referenced in this document are true and accurate. The reader is cautioned that there may be errors within the calibration limits of the equipment and facilities. The measurement uncertainty was calculated for all measurements listed in this test report acc. to ETSI TR 100 028 “ Electromagnetic compatibility and Radio spectrum Matters (ERM); Uncertainties in the measurement of mobile radio equipment characteristics” and is documented in the Shenzhen Tongzhou Testing Co.,Ltd quality system acc. to DIN EN ISO/IEC 17025. Furthermore, component and process variability of devices similar to that tested may result in additional deviation. The manufacturer has the sole responsibility of continued compliance of the device.

Hereafter the best measurement capability for Shenzhen Tongzhou Testing Co.,Ltd is reported:

Test	Range	Measurement Uncertainty	Notes
Radiated Emission	30~1000MHz	3.10 dB	(1)
Radiated Emission	1~18GHz	3.70 dB	(1)
Radiated Emission	18-40GHz	3.90 dB	(1)
Conducted Disturbance	0.15~30MHz	1.63 dB	(1)
Conducted Power	9KHz~18GHz	0.61 dB	(1)
Spurious RF Conducted Emission	9KHz~40GHz	1.22 dB	(1)
Band Edge Compliance of RF Emission	9KHz~40GHz	1.22 dB	(1)
Occupied Bandwidth	9KHz~40GHz	-	(1)
Frequency Error	9KHz~40GHz	1×10^{-7}	(1)

- (1) This uncertainty represents an expanded uncertainty expressed at approximately the 95% confidence level using a coverage factor of $k=1.96$.



4 TEST CONDITIONS AND RESULTS

4.1 E.I.R.P / E.R.P

TEST APPLICABLE

During the process of testing, the EUT was controlled via R&S Digital Radio Communication tester (CMW500) to ensure max power transmission and proper modulation. This result contains output power and EIRP measurements for the EUT. In all cases, output power is within the specified limits.

LIMIT

For Radiated Power

This is the test for the maximum radiated power from the EUT.

Per Part 22.913(a)(4) The ERP of mobile transmitters and auxiliary test transmitters must not exceed 7 watts.

Per Part 24.232(c) Mobile and portable stations are limited to 2 watts EIRP and the equipment must employ a means for limiting power to the minimum necessary for successful communications.

Per Part 27.50(d) (4) specifies, Fixed, mobile, and portable (hand-held) stations operating in the 1710-1755MHz band are limited to 1W EIRP. Fixed stations operating in this band are limited to a maximum antenna height of 10 meters above ground. Mobile and portable stations operating in this band must employ a means for limiting power to the minimum necessary for successful communications.

Per Part 27.50 (c) (10) the following power and antenna height requirements apply to stations transmitting in the 698–746 MHz band, the portable stations (hand-held devices) are limited to 3 watts ERP.

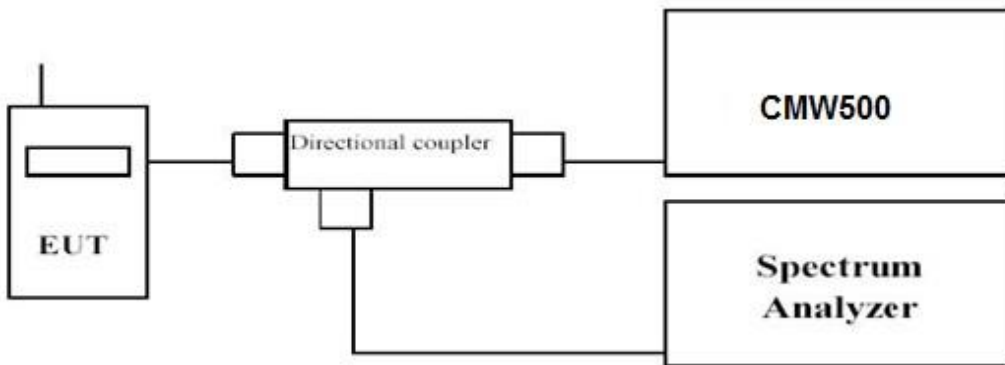
Per Part 27.50(b) (9) specifies, Control stations and mobile stations transmitting in the 746-757 MHz, 776-788 MHz, and 805-806 MHz bands and fixed stations transmitting in the 787-788 MHz and 805-806 MHz bands are limited to 30 watts ERP.

Per Part 27.50(b)(10) specifies, Portable stations (hand-held devices) transmitting in the 746-757 MHz, 776-788 MHz, and 805-806 MHz bands are limited to 3 watts ERP.

Per Part 27.50(a) (3) specifies, *Mobile and portable stations.* (i) For mobile and portable stations transmitting in the 2305-2315 MHz band or the 2350-2360 MHz band, the average EIRP must not exceed 50 milliwatts within any 1 megahertz of authorized bandwidth, *except that* for mobile and portable stations compliant with 3GPP LTE standards or another advanced mobile broadband protocol that avoids concentrating energy at the edge of the operating band the average EIRP must not exceed 250 milliwatts within any 5 megahertz of authorized bandwidth but may exceed 50 milliwatts within any 1 megahertz of authorized bandwidth. For mobile and portable stations using time division duplexing (TDD) technology, the duty cycle must not exceed 38 percent in the 2305-2315 MHz and 2350-2360 MHz bands. Mobile and portable stations using FDD technology are restricted to transmitting in the 2305-2315 MHz band. Power averaging shall not include intervals in which the transmitter is off.

Per Part 27.50(h) (2) specifies, The following power limits shall apply in the BRS and EBS: *Mobile and other user stations.* Mobile stations are limited to 2.0 watts EIRP. All user stations are limited to 2.0 watts transmitter output power.

TEST CONFIGURATION



TEST PROCEDURE

1. Place the EUT on a bench and set it in transmitting mode.
2. Connect a low loss RF cable from the antenna port to a CMW500 by an Att.
3. EUT Communicate with CMW500 then selects a channel for testing.
4. Add a correction factor to the display CMW500, and then test.
5. Record the Peak power(P1) and Average power(P2).
6. Peak-to-Average Ratio (PAR) = Peak power(P1) - Average power(P2)
7. EIRP = Average power(P2) + Antenna Gain(dBi), ERP can be calculated from EIRP by subtracting the gain of the dipole, ERP = EIRP-2.15dBi.

TEST RESULTS

Pass

Note: only record the worst case result in this item.



LTE Band 2				Conducted Power(dBm)			Antenna Gain	EIRP Power(dBm)			EIRP Power Limit	Conclusion
Bandwidth	Modulation	RB size	RB offset	Channel/Frequency (MHz)			(dBi)	Channel/Frequency (MHz)			(dBm)	
				18607/1850.7	18900/1880	19193/1909.3		18607/1850.7	18900/1880	19193/1909.3		
1.4MHz	QPSK	1	0	23.90	23.76	23.58	1.8	25.70	25.56	25.38	33	Pass
		1	2	24.19	23.97	23.68		25.99	25.77	25.48	33	Pass
		1	5	24.22	23.89	23.78		26.02	25.69	25.58	33	Pass
		3	0	23.86	23.87	23.81		25.66	25.67	25.61	33	Pass
		3	2	23.96	23.65	23.86		25.76	25.45	25.66	33	Pass
		3	3	24.12	23.89	23.67		25.92	25.69	25.47	33	Pass
	16QAM	6	0	22.98	22.88	22.84		24.78	24.68	24.64	33	Pass
		1	0	22.89	22.67	23.09		24.69	24.47	24.89	33	Pass
		1	2	23.05	22.96	23.17		24.85	24.76	24.97	33	Pass
		1	5	22.95	22.85	22.95	24.75	24.65	24.75	33	Pass	
Bandwidth	Modulation	RB size	RB offset	Channel/Frequency (MHz)			(dBi)	Channel/Frequency (MHz)			EIRP Power Limit (dBm)	Conclusion
				18615/1851.5	18900/1880	19185/1908.5		18615/1851.5	18900/1880	19185/1908.5		
3MHz	QPSK	1	0	23.98	23.77	23.64	1.8	25.78	25.57	25.44	33	Pass
		1	7	24.13	23.84	24.43		25.93	25.64	26.23	33	Pass
		1	14	23.82	23.58	23.52		25.62	25.38	25.32	33	Pass
		8	0	22.96	22.95	22.74		24.76	24.75	24.54	33	Pass
		8	4	22.90	22.82	22.94		24.70	24.62	24.74	33	Pass
		8	7	22.87	22.88	22.89		24.67	24.68	24.69	33	Pass
	16QAM	15	0	22.82	22.89	22.98		24.62	24.69	24.78	33	Pass
		1	0	23.17	22.99	23.43		24.97	24.79	25.23	33	Pass
		1	7	23.76	22.88	24.14		25.56	24.68	25.94	33	Pass
		1	14	23.09	22.90	23.32	24.89	24.70	25.12	33	Pass	
Bandwidth	Modulation	RB size	RB offset	Channel/Frequency (MHz)			(dBi)	Channel/Frequency (MHz)			EIRP Power Limit (dBm)	Conclusion
				18625/1852.5	18900/1880	19175/1907.5		18625/1852.5	18900/1880	19175/1907.5		
5MHz	QPSK	1	0	23.95	23.75	23.60	1.8	25.75	25.55	25.40	33	Pass
		1	13	24.11	23.80	24.40		25.91	25.60	26.20	33	Pass
		1	24	23.79	23.53	23.48		25.59	25.33	25.28	33	Pass
		12	0	22.93	22.90	22.70		24.73	24.70	24.50	33	Pass
		12	6	22.88	22.78	22.89		24.68	24.58	24.69	33	Pass
		12	13	22.85	22.86	22.85		24.65	24.66	24.65	33	Pass
	16QAM	25	0	22.80	22.88	22.96		24.60	24.68	24.76	33	Pass
		1	0	23.14	22.95	23.40		24.94	24.75	25.20	33	Pass
		1	13	23.73	22.86	24.11		25.53	24.66	25.91	33	Pass
		1	24	23.06	22.88	23.28	24.86	24.68	25.08	33	Pass	
Bandwidth	Modulation	RB size	RB offset	Channel/Frequency (MHz)			(dBi)	Channel/Frequency (MHz)			EIRP Power Limit (dBm)	Conclusion
				18650/1855	18900/1880	19150/1905		18650/1855	18900/1880	19150/1905		
10MHz	QPSK	1	0	23.97	23.76	23.63	1.8	25.77	25.56	25.43	33	Pass
		1	25	24.14	23.85	24.44		25.94	25.65	26.24	33	Pass



		1	49	23.81	23.57	23.51		25.61	25.37	25.31	33	Pass
		25	0	22.96	22.95	22.74		24.76	24.75	24.54	33	Pass
		25	13	22.91	22.83	22.93		24.71	24.63	24.73	33	Pass
		25	25	22.87	22.90	22.90		24.67	24.70	24.70	33	Pass
		50	0	22.88	22.90	23.00		24.68	24.70	24.80	33	Pass
	16QAM	1	0	23.16	22.98	23.42		24.96	24.78	25.22	33	Pass
	16QAM	1	25	23.76	22.90	24.14		25.56	24.70	25.94	33	Pass
	16QAM	1	49	23.09	22.90	23.31		24.89	24.70	25.11	33	Pass
Bandwidth	Modulation	RB size	RB offset	Channel/Frequency (MHz)			(dBi)	Channel/Frequency (MHz)			EIRP Power Limit (dBm)	Conclusion
				18675/1857.5	18900/1880	19125/1902.5		18675/1857.5	18900/1880	19125/1902.5		
15MHz	QPSK	1	0	23.96	23.72	23.61	1.8	25.76	25.52	25.41	33	Pass
		1	38	24.12	23.84	24.41		25.92	25.64	26.21	33	Pass
		1	74	23.78	23.52	23.47		25.58	25.32	25.27	33	Pass
		36	0	22.94	22.91	22.71		24.74	24.71	24.51	33	Pass
		36	18	22.88	22.78	22.89		24.68	24.58	24.69	33	Pass
		36	39	22.84	22.87	22.86		24.64	24.67	24.66	33	Pass
	16QAM	1	0	23.11	22.96	23.40		24.66	24.66	24.75	33	Pass
		1	38	23.74	22.87	24.12		24.91	24.76	25.20	33	Pass
		1	74	23.06	22.86	23.28		25.54	24.67	25.92	33	Pass
		1	74	23.06	22.86	23.28		24.86	24.66	25.08	33	Pass
Bandwidth	Modulation	RB size	RB offset	Channel/Frequency (MHz)			(dBi)	Channel/Frequency (MHz)			EIRP Power Limit (dBm)	Conclusion
				18700/1860	18900/1880	19100/1900		18700/1860	18900/1880	19100/1900		
20MHz	QPSK	1	0	23.93	23.68	23.58	1.8	25.73	25.48	25.38	33	Pass
		1	50	24.11	23.80	24.39		25.91	25.60	26.19	33	Pass
		1	99	23.76	23.51	23.44		25.56	25.31	25.24	33	Pass
		50	0	22.91	22.86	22.67		24.71	24.66	24.47	33	Pass
		50	25	22.86	22.74	22.86		24.66	24.54	24.66	33	Pass
		50	50	22.81	22.82	22.82		24.61	24.62	24.62	33	Pass
	16QAM	100	0	22.83	22.81	22.91		24.63	24.61	24.71	33	Pass
		1	0	23.09	22.92	23.35		24.89	24.72	25.15	33	Pass
		1	50	23.70	22.85	24.08		25.50	24.65	25.88	33	Pass
		1	99	23.04	22.83	23.26		24.84	24.63	25.06	33	Pass



LTE Band 5				Conducted Power(dBm)			Antenna Gain	EIRP Power(dBm)			EIRP Power Limit	Conclusion
Bandwidth	Modulation	RB size	RB offset	Channel/Frequency(MHz)			(dBi)	Channel/Frequency (MHz)			(dBm)	
				20407/824 .7	20525/836 .5	20643/848 .3		18607/185 0.7	18900/18 80	19193/190 9.3		
1.4MHz	QPSK	1	0	23.83	23.93	23.87	-0.6	23.23	23.33	23.27	33	Pass
		1	2	23.97	24.02	24.23		23.37	23.42	23.63	33	Pass
		1	5	23.76	23.94	23.92		23.16	23.34	23.32	33	Pass
		3	0	23.83	23.77	24.04		23.23	23.17	23.44	33	Pass
		3	2	23.81	23.79	24.03		23.21	23.19	23.43	33	Pass
		3	3	23.87	23.84	23.98		23.27	23.24	23.38	33	Pass
	16QAM	6	0	22.86	22.86	22.95		22.26	22.26	22.35	33	Pass
		1	0	23.44	22.82	22.85		22.84	22.22	22.25	33	Pass
		1	2	23.47	23.03	23.04		22.87	22.43	22.44	33	Pass
		1	5	23.29	22.83	22.84	22.69	22.23	22.24	33	Pass	
Bandwidth	Modulation	RB size	RB offset	Channel/Frequency(MHz)			(dBi)	Channel/Frequency (MHz)			EIRP Power Limit (dBm)	Conclusion
3MHz	QPSK	1	0	23.95	24.06	23.83	-0.6	23.35	23.46	23.23	33	Pass
		1	7	24.19	24.10	24.01		23.59	23.50	23.41	33	Pass
		1	14	23.79	23.77	23.96		23.19	23.17	23.36	33	Pass
		8	0	23.13	23.07	22.92		22.53	22.47	22.32	33	Pass
		8	4	22.92	23.01	22.96		22.32	22.41	22.36	33	Pass
		8	7	22.97	23.01	23.05		22.37	22.41	22.45	33	Pass
	16QAM	15	0	23.09	23.07	23.04		22.49	22.47	22.44	33	Pass
		1	0	22.73	23.28	23.55		22.13	22.68	22.95	33	Pass
		1	7	23.04	23.61	24.09		22.44	23.01	23.49	33	Pass
		1	14	22.82	23.21	23.53	22.22	22.61	22.93	33	Pass	
Bandwidth	Modulation	RB size	RB offset	Channel/Frequency(MHz)			(dBi)	Channel/Frequency (MHz)			EIRP Power Limit (dBm)	Conclusion
5MHz	QPSK	1	0	23.94	24.02	23.81	-0.6	23.34	23.42	23.21	33	Pass
		1	13	24.17	24.09	23.98		23.57	23.49	23.38	33	Pass
		1	24	23.76	23.72	23.92		23.16	23.12	23.32	33	Pass
		12	0	23.11	23.03	22.89		22.51	22.43	22.29	33	Pass
		12	6	22.89	22.96	22.92		22.29	22.36	22.32	33	Pass
		12	13	22.94	22.98	23.01		22.34	22.38	22.41	33	Pass
	16QAM	25	0	23.07	23.03	22.99		22.47	22.43	22.39	33	Pass
		1	0	22.68	23.26	23.53		22.08	22.66	22.93	33	Pass
		1	13	23.02	23.58	24.07		22.42	22.98	23.47	33	Pass
		1	24	22.79	23.17	23.50	22.19	22.57	22.90	33	Pass	
Bandwidth	Modulation	RB size	RB offset	Channel/Frequency(MHz)			(dBi)	Channel/Frequency (MHz)			EIRP Power Limit (dBm)	Conclusion
10MHz	QPSK	1	0	23.91	23.98	23.78	-0.6	23.31	23.38	23.18	33	Pass
		1	25	24.16	24.05	23.96		23.56	23.45	23.36	33	Pass
		1	49	23.74	23.71	23.89		23.14	23.11	23.29	33	Pass
		25	0	23.08	22.98	22.85		22.48	22.38	22.25	33	Pass
		25	13	22.87	22.92	22.89		22.27	22.32	22.29	33	Pass
		25	25	22.91	22.93	22.97		22.31	22.33	22.37	33	Pass



		25	0	22.81	22.89	22.80	1.63	21.61	21.69	21.60	33	Pass
		25	13	22.94	22.94	22.61		21.74	21.74	21.41	33	Pass
		25	25	22.79	22.81	22.89		21.59	21.61	21.69	33	Pass
		50	0	22.80	22.84	22.90		21.60	21.64	21.70	33	Pass
	16QAM	1	0	22.52	23.21	22.77		21.32	22.01	21.57	33	Pass
		1	25	22.49	23.68	23.22		21.29	22.48	22.02	33	Pass
		1	49	22.53	23.29	22.63		21.33	22.09	21.43	33	Pass

LTE Band 5				Conducted Power(dBm)			Antenna Gain	EIRP Power(dBm)			EIRP Power Limit	Conclusion
Bandwidth	Modulation	RB size	RB offset	Channel/Frequency(MHz)				(dBi)	Channel/Frequency (MHz)			
				20407/824.7	20525/836.5	20643/848.3	20407/824.7		20525/836.5	20643/848.3		
1.4MHz	QPSK	1	0	23.83	23.93	23.87	1.63	25.46	25.56	25.50	38.45	Pass
		1	2	23.97	24.02	24.23		25.60	25.65	25.86	38.45	Pass
		1	5	23.76	23.94	23.92		25.39	25.57	25.55	38.45	Pass
		3	0	23.83	23.77	24.04		25.46	25.40	25.67	38.45	Pass
		3	2	23.81	23.79	24.03		25.44	25.42	25.66	38.45	Pass
		3	3	23.87	23.84	23.98		25.50	25.47	25.61	38.45	Pass
	16QAM	6	0	22.86	22.86	22.95		24.49	24.49	24.58	38.45	Pass
		1	0	23.44	22.82	22.85		25.07	24.45	24.48	38.45	Pass
		1	2	23.47	23.03	23.04		25.10	24.66	24.67	38.45	Pass
		1	5	23.29	22.83	22.84	24.92	24.46	24.47	38.45	Pass	
Bandwidth	Modulation	RB size	RB offset	Channel/Frequency(MHz)			(dBi)	Channel/Frequency (MHz)			EIRP Power Limit (dBm)	Conclusion
				20415/825.5	20525/836.5	20635/847.5		20415/825.5	20525/836.5	20635/847.5		
3MHz	QPSK	1	0	23.95	24.06	23.83	1.63	25.58	25.69	25.46	38.45	Pass
		1	7	24.19	24.10	24.01		25.82	25.73	25.64	38.45	Pass
		1	14	23.79	23.77	23.96		25.42	25.40	25.59	38.45	Pass
		8	0	23.13	23.07	22.92		24.76	24.70	24.55	38.45	Pass
		8	4	22.92	23.01	22.96		24.55	24.64	24.59	38.45	Pass
		8	7	22.97	23.01	23.05		24.60	24.64	24.68	38.45	Pass
	16QAM	15	0	23.09	23.07	23.04		24.72	24.70	24.67	38.45	Pass
		1	0	22.73	23.28	23.55		24.36	24.91	25.18	38.45	Pass
		1	7	23.04	23.61	24.09		24.67	25.24	25.72	38.45	Pass
		1	14	22.82	23.21	23.53	24.45	24.84	25.16	38.45	Pass	
Bandwidth	Modulation	RB size	RB offset	Channel/Frequency(MHz)			(dBi)	Channel/Frequency (MHz)			EIRP Power Limit (dBm)	Conclusion
				20425/826.5	20525/836.5	20625/846.5		20425/826.5	20525/836.5	20625/846.5		
5MHz	QPSK	1	0	23.94	24.02	23.81	1.63	25.57	25.65	25.44	38.45	Pass
		1	13	24.17	24.09	23.98		25.80	25.72	25.61	38.45	Pass
		1	24	23.76	23.72	23.92		25.39	25.35	25.55	38.45	Pass
		12	0	23.11	23.03	22.89		24.74	24.66	24.52	38.45	Pass
		12	6	22.89	22.96	22.92		24.52	24.59	24.55	38.45	Pass
		12	13	22.94	22.98	23.01		24.57	24.61	24.64	38.45	Pass
	16QAM	25	0	23.07	23.03	22.99		24.70	24.66	24.62	38.45	Pass
		1	0	22.68	23.26	23.53		24.31	24.89	25.16	38.45	Pass
		1	13	23.02	23.58	24.07		24.65	25.21	25.70	38.45	Pass



Bandwidth	Modulation	RB size	RB offset	Channel/Frequency(MHz)			(dBi)	Channel/Frequency (MHz)			EIRP Power Limit (dBm)	Conclusion
				20450/829	20525/836.5	20600/844		20450/829	20525/836.5	20600/844		
				1	24	22.79		23.17	23.50	24.42		
10MHz	QPSK	1	0	23.91	23.98	23.78	1.63	25.54	25.61	25.41	38.45	Pass
		1	25	24.16	24.05	23.96		25.79	25.68	25.59	38.45	Pass
		1	49	23.74	23.71	23.89		25.37	25.34	25.52	38.45	Pass
		25	0	23.08	22.98	22.85		24.71	24.61	24.48	38.45	Pass
		25	13	22.87	22.92	22.89		24.50	24.55	24.52	38.45	Pass
		25	25	22.91	22.93	22.97		24.54	24.56	24.60	38.45	Pass
		50	0	23.04	22.98	22.95		24.67	24.61	24.58	38.45	Pass
	16QAM	1	0	22.66	23.22	23.48		24.29	24.85	25.11	38.45	Pass
		1	25	22.98	23.56	24.03		24.61	25.19	25.66	38.45	Pass
		1	49	22.77	23.14	23.48		24.40	24.77	25.11	38.45	Pass

LTE Band 13				Conducted Power(dBm)			Antenna Gain	EIRP Power(dBm)			EIRP Power Limit	Conclusion
Bandwidth	Modulation	RB size	RB offset	Channel/Frequency (MHz)			(dBi)	Channel/Frequency (MHz)			(dBm)	
				23205/779.5	23230/782	23255/784.5		23205/779.5	23230/782	23255/784.5		
5MHz	QPSK	1	0	23.73	23.60	23.61	-1.1	22.63	22.50	22.51	34.77	Pass
		1	2	23.64	23.75	23.95		22.54	22.65	22.85	34.77	Pass
		1	5	23.58	23.74	23.82		22.48	22.64	22.72	34.77	Pass
		3	0	22.81	22.69	22.81		21.71	21.59	21.71	34.77	Pass
		3	2	22.65	22.71	22.83		21.55	21.61	21.73	34.77	Pass
		3	3	22.74	22.76	22.96		21.64	21.66	21.86	34.77	Pass
		6	0	22.76	22.78	22.89		21.66	21.68	21.79	34.77	Pass
	16QAM	1	0	22.88	22.86	22.46		21.78	21.76	21.36	34.77	Pass
		1	2	22.49	22.81	22.64		21.39	21.71	21.54	34.77	Pass
		1	5	23.12	22.65	22.56		22.02	21.55	21.46	34.77	Pass
Bandwidth	Modulation	RB size	RB offset	Channel/Frequency (MHz)			(dBi)	Channel/Frequency (MHz)			EIRP Power Limit (dBm)	Conclusion
10MHz	QPSK	1	0	/	23.61	/	-1.1	/	22.51	/	34.77	Pass
		1	7	/	23.77	/		/	22.67	/	34.77	Pass
		1	14	/	23.73	/		/	22.63	/	34.77	Pass
		8	0	/	22.71	/		/	21.61	/	34.77	Pass
		8	4	/	22.73	/		/	21.63	/	34.77	Pass
		8	7	/	22.82	/		/	21.72	/	34.77	Pass
		15	0	/	22.74	/		/	21.64	/	34.77	Pass
	16QAM	1	0	/	22.98	/		/	21.88	/	34.77	Pass
		1	7	/	23.23	/		/	22.13	/	34.77	Pass
		1	14	/	23.01	/		/	21.91	/	34.77	Pass

Band	Bandwidth	Modulation	Channel	RB Configuration	Conducted Power(dBm)	Antenna Gain (dBi)	EIRP(dBm)	Limit(dBm)	Conclusion
LTE Band 25	1.4M	QPSK	26047	1RB#0	23.44	1.80	25.24	33.00	Pass
LTE Band 25	1.4M	QPSK	26047	1RB#2	23.45	1.80	25.25	33.00	Pass
LTE Band 25	1.4M	QPSK	26047	1RB#5	23.40	1.80	25.20	33.00	Pass
LTE Band 25	1.4M	QPSK	26047	3RB#0	22.46	1.80	24.26	33.00	Pass
LTE Band 25	1.4M	QPSK	26047	3RB#2	22.44	1.80	24.24	33.00	Pass
LTE Band 25	1.4M	QPSK	26047	3RB#3	22.49	1.80	24.29	33.00	Pass



LTE Band 25	1.4M	QPSK	26047	6RB#0	22.42	1.80	24.22	33.00	Pass
LTE Band 25	1.4M	QPSK	26365	1RB#0	23.59	1.80	25.39	33.00	Pass
LTE Band 25	1.4M	QPSK	26365	1RB#2	23.50	1.80	25.30	33.00	Pass
LTE Band 25	1.4M	QPSK	26365	1RB#5	23.54	1.80	25.34	33.00	Pass
LTE Band 25	1.4M	QPSK	26365	3RB#0	22.58	1.80	24.38	33.00	Pass
LTE Band 25	1.4M	QPSK	26365	3RB#2	22.60	1.80	24.40	33.00	Pass
LTE Band 25	1.4M	QPSK	26365	3RB#3	22.59	1.80	24.39	33.00	Pass
LTE Band 25	1.4M	QPSK	26365	6RB#0	22.64	1.80	24.44	33.00	Pass
LTE Band 25	1.4M	QPSK	26683	1RB#0	23.30	1.80	25.10	33.00	Pass
LTE Band 25	1.4M	QPSK	26683	1RB#2	23.49	1.80	25.29	33.00	Pass
LTE Band 25	1.4M	QPSK	26683	1RB#5	23.55	1.80	25.35	33.00	Pass
LTE Band 25	1.4M	QPSK	26683	3RB#0	22.38	1.80	24.18	33.00	Pass
LTE Band 25	1.4M	QPSK	26683	3RB#2	22.43	1.80	24.23	33.00	Pass
LTE Band 25	1.4M	QPSK	26683	3RB#3	22.49	1.80	24.29	33.00	Pass
LTE Band 25	1.4M	QPSK	26683	6RB#0	22.37	1.80	24.17	33.00	Pass
LTE Band 25	1.4M	16QAM	26047	1RB#0	22.26	1.80	24.06	33.00	Pass
LTE Band 25	1.4M	16QAM	26047	1RB#2	22.41	1.80	24.21	33.00	Pass
LTE Band 25	1.4M	16QAM	26047	1RB#5	22.31	1.80	24.11	33.00	Pass
LTE Band 25	1.4M	16QAM	26047	3RB#0	21.23	1.80	23.03	33.00	Pass
LTE Band 25	1.4M	16QAM	26047	3RB#2	21.29	1.80	23.09	33.00	Pass
LTE Band 25	1.4M	16QAM	26047	3RB#3	21.36	1.80	23.16	33.00	Pass
LTE Band 25	1.4M	16QAM	26047	6RB#0	21.39	1.80	23.19	33.00	Pass
LTE Band 25	1.4M	16QAM	26365	1RB#0	21.98	1.80	23.78	33.00	Pass
LTE Band 25	1.4M	16QAM	26365	1RB#2	21.96	1.80	23.76	33.00	Pass
LTE Band 25	1.4M	16QAM	26365	1RB#5	21.90	1.80	23.70	33.00	Pass
LTE Band 25	1.4M	16QAM	26365	3RB#0	21.17	1.80	22.97	33.00	Pass
LTE Band 25	1.4M	16QAM	26365	3RB#2	21.30	1.80	23.10	33.00	Pass
LTE Band 25	1.4M	16QAM	26365	3RB#3	21.46	1.80	23.26	33.00	Pass
LTE Band 25	1.4M	16QAM	26365	6RB#0	21.56	1.80	23.36	33.00	Pass
LTE Band 25	1.4M	16QAM	26683	1RB#0	22.21	1.80	24.01	33.00	Pass
LTE Band 25	1.4M	16QAM	26683	1RB#2	22.54	1.80	24.34	33.00	Pass
LTE Band 25	1.4M	16QAM	26683	1RB#5	22.89	1.80	24.69	33.00	Pass
LTE Band 25	1.4M	16QAM	26683	3RB#0	21.16	1.80	22.96	33.00	Pass
LTE Band 25	1.4M	16QAM	26683	3RB#2	21.18	1.80	22.98	33.00	Pass
LTE Band 25	1.4M	16QAM	26683	3RB#3	21.15	1.80	22.95	33.00	Pass
LTE Band 25	1.4M	16QAM	26683	6RB#0	21.25	1.80	23.05	33.00	Pass
LTE Band 25	3M	QPSK	26055	1RB#0	23.46	1.80	25.26	33.00	Pass
LTE Band 25	3M	QPSK	26055	1RB#7	23.48	1.80	25.28	33.00	Pass
LTE Band 25	3M	QPSK	26055	1RB#14	23.43	1.80	25.23	33.00	Pass
LTE Band 25	3M	QPSK	26055	8RB#0	22.54	1.80	24.34	33.00	Pass
LTE Band 25	3M	QPSK	26055	8RB#4	22.54	1.80	24.34	33.00	Pass
LTE Band 25	3M	QPSK	26055	8RB#7	22.57	1.80	24.37	33.00	Pass
LTE Band 25	3M	QPSK	26055	15RB#0	22.45	1.80	24.25	33.00	Pass
LTE Band 25	3M	QPSK	26365	1RB#0	23.63	1.80	25.43	33.00	Pass
LTE Band 25	3M	QPSK	26365	1RB#7	23.55	1.80	25.35	33.00	Pass
LTE Band 25	3M	QPSK	26365	1RB#14	23.59	1.80	25.39	33.00	Pass
LTE Band 25	3M	QPSK	26365	8RB#0	22.68	1.80	24.48	33.00	Pass



LTE Band 25	3M	QPSK	26365	8RB#4	22.68	1.80	24.48	33.00	Pass
LTE Band 25	3M	QPSK	26365	8RB#7	22.68	1.80	24.48	33.00	Pass
LTE Band 25	3M	QPSK	26365	15RB#0	22.68	1.80	24.48	33.00	Pass
LTE Band 25	3M	QPSK	26675	1RB#0	23.33	1.80	25.13	33.00	Pass
LTE Band 25	3M	QPSK	26675	1RB#7	23.53	1.80	25.33	33.00	Pass
LTE Band 25	3M	QPSK	26675	1RB#14	23.59	1.80	25.39	33.00	Pass
LTE Band 25	3M	QPSK	26675	8RB#0	22.49	1.80	24.29	33.00	Pass
LTE Band 25	3M	QPSK	26675	8RB#4	22.53	1.80	24.33	33.00	Pass
LTE Band 25	3M	QPSK	26675	8RB#7	22.57	1.80	24.37	33.00	Pass
LTE Band 25	3M	QPSK	26675	15RB#0	22.40	1.80	24.20	33.00	Pass
LTE Band 25	3M	16QAM	26055	1RB#0	22.29	1.80	24.09	33.00	Pass
LTE Band 25	3M	16QAM	26055	1RB#7	22.44	1.80	24.24	33.00	Pass
LTE Band 25	3M	16QAM	26055	1RB#14	22.33	1.80	24.13	33.00	Pass
LTE Band 25	3M	16QAM	26055	8RB#0	21.32	1.80	23.12	33.00	Pass
LTE Band 25	3M	16QAM	26055	8RB#4	21.38	1.80	23.18	33.00	Pass
LTE Band 25	3M	16QAM	26055	8RB#7	21.44	1.80	23.24	33.00	Pass
LTE Band 25	3M	16QAM	26055	15RB#0	21.42	1.80	23.22	33.00	Pass
LTE Band 25	3M	16QAM	26365	1RB#0	22.00	1.80	23.80	33.00	Pass
LTE Band 25	3M	16QAM	26365	1RB#7	22.01	1.80	23.81	33.00	Pass
LTE Band 25	3M	16QAM	26365	1RB#14	21.94	1.80	23.74	33.00	Pass
LTE Band 25	3M	16QAM	26365	8RB#0	21.28	1.80	23.08	33.00	Pass
LTE Band 25	3M	16QAM	26365	8RB#4	21.41	1.80	23.21	33.00	Pass
LTE Band 25	3M	16QAM	26365	8RB#7	21.56	1.80	23.36	33.00	Pass
LTE Band 25	3M	16QAM	26365	15RB#0	21.60	1.80	23.40	33.00	Pass
LTE Band 25	3M	16QAM	26675	1RB#0	22.24	1.80	24.04	33.00	Pass
LTE Band 25	3M	16QAM	26675	1RB#7	22.58	1.80	24.38	33.00	Pass
LTE Band 25	3M	16QAM	26675	1RB#14	22.92	1.80	24.72	33.00	Pass
LTE Band 25	3M	16QAM	26675	8RB#0	21.26	1.80	23.06	33.00	Pass
LTE Band 25	3M	16QAM	26675	8RB#4	21.28	1.80	23.08	33.00	Pass
LTE Band 25	3M	16QAM	26675	8RB#7	21.26	1.80	23.06	33.00	Pass
LTE Band 25	3M	16QAM	26675	15RB#0	21.28	1.80	23.08	33.00	Pass
LTE Band 25	5M	QPSK	26065	1RB#0	23.41	1.80	25.21	33.00	Pass
LTE Band 25	5M	QPSK	26065	1RB#13	23.46	1.80	25.26	33.00	Pass
LTE Band 25	5M	QPSK	26065	1RB#24	23.37	1.80	25.17	33.00	Pass
LTE Band 25	5M	QPSK	26065	12RB#0	22.49	1.80	24.29	33.00	Pass
LTE Band 25	5M	QPSK	26065	12RB#6	22.50	1.80	24.30	33.00	Pass
LTE Band 25	5M	QPSK	26065	12RB#13	22.51	1.80	24.31	33.00	Pass
LTE Band 25	5M	QPSK	26065	25RB#0	22.46	1.80	24.26	33.00	Pass
LTE Band 25	5M	QPSK	26365	1RB#0	23.54	1.80	25.34	33.00	Pass
LTE Band 25	5M	QPSK	26365	1RB#13	23.51	1.80	25.31	33.00	Pass
LTE Band 25	5M	QPSK	26365	1RB#24	23.52	1.80	25.32	33.00	Pass
LTE Band 25	5M	QPSK	26365	12RB#0	22.59	1.80	24.39	33.00	Pass
LTE Band 25	5M	QPSK	26365	12RB#6	22.60	1.80	24.40	33.00	Pass
LTE Band 25	5M	QPSK	26365	12RB#13	22.62	1.80	24.42	33.00	Pass
LTE Band 25	5M	QPSK	26365	25RB#0	22.60	1.80	24.40	33.00	Pass
LTE Band 25	5M	QPSK	26665	1RB#0	23.27	1.80	25.07	33.00	Pass
LTE Band 25	5M	QPSK	26665	1RB#13	23.49	1.80	25.29	33.00	Pass



LTE Band 25	5M	QPSK	26665	1RB#24	23.51	1.80	25.31	33.00	Pass
LTE Band 25	5M	QPSK	26665	12RB#0	22.42	1.80	24.22	33.00	Pass
LTE Band 25	5M	QPSK	26665	12RB#6	22.45	1.80	24.25	33.00	Pass
LTE Band 25	5M	QPSK	26665	12RB#13	22.50	1.80	24.30	33.00	Pass
LTE Band 25	5M	QPSK	26665	25RB#0	22.33	1.80	24.13	33.00	Pass
LTE Band 25	5M	16QAM	26065	1RB#0	22.21	1.80	24.01	33.00	Pass
LTE Band 25	5M	16QAM	26065	1RB#13	22.38	1.80	24.18	33.00	Pass
LTE Band 25	5M	16QAM	26065	1RB#24	22.28	1.80	24.08	33.00	Pass
LTE Band 25	5M	16QAM	26065	12RB#0	21.27	1.80	23.07	33.00	Pass
LTE Band 25	5M	16QAM	26065	12RB#6	21.31	1.80	23.11	33.00	Pass
LTE Band 25	5M	16QAM	26065	12RB#13	21.39	1.80	23.19	33.00	Pass
LTE Band 25	5M	16QAM	26065	25RB#0	21.38	1.80	23.18	33.00	Pass
LTE Band 25	5M	16QAM	26365	1RB#0	21.93	1.80	23.73	33.00	Pass
LTE Band 25	5M	16QAM	26365	1RB#13	21.98	1.80	23.78	33.00	Pass
LTE Band 25	5M	16QAM	26365	1RB#24	21.87	1.80	23.67	33.00	Pass
LTE Band 25	5M	16QAM	26365	12RB#0	21.23	1.80	23.03	33.00	Pass
LTE Band 25	5M	16QAM	26365	12RB#6	21.33	1.80	23.13	33.00	Pass
LTE Band 25	5M	16QAM	26365	12RB#13	21.47	1.80	23.27	33.00	Pass
LTE Band 25	5M	16QAM	26365	25RB#0	21.52	1.80	23.32	33.00	Pass
LTE Band 25	5M	16QAM	26665	1RB#0	22.16	1.80	23.96	33.00	Pass
LTE Band 25	5M	16QAM	26665	1RB#13	22.52	1.80	24.32	33.00	Pass
LTE Band 25	5M	16QAM	26665	1RB#24	22.86	1.80	24.66	33.00	Pass
LTE Band 25	5M	16QAM	26665	12RB#0	21.21	1.80	23.01	33.00	Pass
LTE Band 25	5M	16QAM	26665	12RB#6	21.20	1.80	23.00	33.00	Pass
LTE Band 25	5M	16QAM	26665	12RB#13	21.19	1.80	22.99	33.00	Pass
LTE Band 25	5M	16QAM	26665	25RB#0	21.20	1.80	23.00	33.00	Pass
LTE Band 25	10M	QPSK	26090	1RB#0	23.61	1.80	25.41	33.00	Pass
LTE Band 25	10M	QPSK	26090	1RB#25	23.62	1.80	25.42	33.00	Pass
LTE Band 25	10M	QPSK	26090	1RB#49	23.75	1.80	25.55	33.00	Pass
LTE Band 25	10M	QPSK	26090	25RB#0	22.54	1.80	24.34	33.00	Pass
LTE Band 25	10M	QPSK	26090	25RB#13	22.50	1.80	24.30	33.00	Pass
LTE Band 25	10M	QPSK	26090	25RB#25	22.55	1.80	24.35	33.00	Pass
LTE Band 25	10M	QPSK	26090	50RB#0	22.61	1.80	24.41	33.00	Pass
LTE Band 25	10M	QPSK	26365	1RB#0	23.55	1.80	25.35	33.00	Pass
LTE Band 25	10M	QPSK	26365	1RB#25	23.72	1.80	25.52	33.00	Pass
LTE Band 25	10M	QPSK	26365	1RB#49	23.47	1.80	25.27	33.00	Pass
LTE Band 25	10M	QPSK	26365	25RB#0	22.64	1.80	24.44	33.00	Pass
LTE Band 25	10M	QPSK	26365	25RB#13	22.66	1.80	24.46	33.00	Pass
LTE Band 25	10M	QPSK	26365	25RB#25	22.67	1.80	24.47	33.00	Pass
LTE Band 25	10M	QPSK	26365	50RB#0	22.67	1.80	24.47	33.00	Pass
LTE Band 25	10M	QPSK	26640	1RB#0	23.65	1.80	25.45	33.00	Pass
LTE Band 25	10M	QPSK	26640	1RB#25	23.69	1.80	25.49	33.00	Pass
LTE Band 25	10M	QPSK	26640	1RB#49	23.70	1.80	25.50	33.00	Pass
LTE Band 25	10M	QPSK	26640	25RB#0	22.66	1.80	24.46	33.00	Pass
LTE Band 25	10M	QPSK	26640	25RB#13	22.51	1.80	24.31	33.00	Pass
LTE Band 25	10M	QPSK	26640	25RB#25	22.38	1.80	24.18	33.00	Pass
LTE Band 25	10M	QPSK	26640	50RB#0	22.52	1.80	24.32	33.00	Pass



LTE Band 25	10M	16QAM	26090	1RB#0	22.83	1.80	24.63	33.00	Pass
LTE Band 25	10M	16QAM	26090	1RB#25	23.35	1.80	25.15	33.00	Pass
LTE Band 25	10M	16QAM	26090	1RB#49	22.91	1.80	24.71	33.00	Pass
LTE Band 25	10M	16QAM	26090	25RB#0	21.47	1.80	23.27	33.00	Pass
LTE Band 25	10M	16QAM	26090	25RB#13	21.52	1.80	23.32	33.00	Pass
LTE Band 25	10M	16QAM	26090	25RB#25	21.59	1.80	23.39	33.00	Pass
LTE Band 25	10M	16QAM	26365	1RB#0	22.93	1.80	24.73	33.00	Pass
LTE Band 25	10M	16QAM	26365	1RB#25	23.02	1.80	24.82	33.00	Pass
LTE Band 25	10M	16QAM	26365	1RB#49	22.38	1.80	24.18	33.00	Pass
LTE Band 25	10M	16QAM	26365	25RB#0	21.57	1.80	23.37	33.00	Pass
LTE Band 25	10M	16QAM	26365	25RB#13	21.58	1.80	23.38	33.00	Pass
LTE Band 25	10M	16QAM	26365	25RB#25	21.60	1.80	23.40	33.00	Pass
LTE Band 25	10M	16QAM	26640	1RB#0	22.88	1.80	24.68	33.00	Pass
LTE Band 25	10M	16QAM	26640	1RB#25	23.22	1.80	25.02	33.00	Pass
LTE Band 25	10M	16QAM	26640	1RB#49	22.40	1.80	24.20	33.00	Pass
LTE Band 25	10M	16QAM	26640	25RB#0	21.55	1.80	23.35	33.00	Pass
LTE Band 25	10M	16QAM	26640	25RB#13	21.43	1.80	23.23	33.00	Pass
LTE Band 25	10M	16QAM	26640	25RB#25	21.37	1.80	23.17	33.00	Pass
LTE Band 25	15M	QPSK	26115	1RB#0	23.50	1.80	25.30	33.00	Pass
LTE Band 25	15M	QPSK	26115	1RB#38	23.57	1.80	25.37	33.00	Pass
LTE Band 25	15M	QPSK	26115	1RB#74	23.45	1.80	25.25	33.00	Pass
LTE Band 25	15M	QPSK	26115	36RB#0	22.60	1.80	24.40	33.00	Pass
LTE Band 25	15M	QPSK	26115	36RB#18	22.60	1.80	24.40	33.00	Pass
LTE Band 25	15M	QPSK	26115	36RB#39	22.58	1.80	24.38	33.00	Pass
LTE Band 25	15M	QPSK	26115	75RB#0	22.61	1.80	24.41	33.00	Pass
LTE Band 25	15M	QPSK	26365	1RB#0	23.55	1.80	25.35	33.00	Pass
LTE Band 25	15M	QPSK	26365	1RB#38	23.50	1.80	25.30	33.00	Pass
LTE Band 25	15M	QPSK	26365	1RB#74	23.41	1.80	25.21	33.00	Pass
LTE Band 25	15M	QPSK	26365	36RB#0	22.63	1.80	24.43	33.00	Pass
LTE Band 25	15M	QPSK	26365	36RB#18	22.60	1.80	24.40	33.00	Pass
LTE Band 25	15M	QPSK	26365	36RB#39	22.58	1.80	24.38	33.00	Pass
LTE Band 25	15M	QPSK	26365	75RB#0	22.61	1.80	24.41	33.00	Pass
LTE Band 25	15M	QPSK	26615	1RB#0	23.46	1.80	25.26	33.00	Pass
LTE Band 25	15M	QPSK	26615	1RB#38	23.78	1.80	25.58	33.00	Pass
LTE Band 25	15M	QPSK	26615	1RB#74	23.45	1.80	25.25	33.00	Pass
LTE Band 25	15M	QPSK	26615	36RB#0	22.58	1.80	24.38	33.00	Pass
LTE Band 25	15M	QPSK	26615	36RB#18	22.41	1.80	24.21	33.00	Pass
LTE Band 25	15M	QPSK	26615	36RB#39	22.34	1.80	24.14	33.00	Pass
LTE Band 25	15M	QPSK	26615	75RB#0	22.53	1.80	24.33	33.00	Pass
LTE Band 25	15M	16QAM	26115	1RB#0	23.09	1.80	24.89	33.00	Pass
LTE Band 25	15M	16QAM	26115	1RB#38	23.13	1.80	24.93	33.00	Pass
LTE Band 25	15M	16QAM	26115	1RB#74	22.98	1.80	24.78	33.00	Pass
LTE Band 25	15M	16QAM	26365	1RB#0	23.19	1.80	24.99	33.00	Pass
LTE Band 25	15M	16QAM	26365	1RB#38	23.13	1.80	24.93	33.00	Pass
LTE Band 25	15M	16QAM	26365	1RB#74	23.06	1.80	24.86	33.00	Pass
LTE Band 25	15M	16QAM	26615	1RB#0	23.11	1.80	24.91	33.00	Pass
LTE Band 25	15M	16QAM	26615	1RB#38	23.07	1.80	24.87	33.00	Pass



LTE Band 25	15M	16QAM	26615	1RB#74	22.89	1.80	24.69	33.00	Pass
LTE Band 25	20M	QPSK	26140	1RB#0	23.28	1.80	25.08	33.00	Pass
LTE Band 25	20M	QPSK	26140	1RB#50	23.89	1.80	25.69	33.00	Pass
LTE Band 25	20M	QPSK	26140	1RB#99	23.32	1.80	25.12	33.00	Pass
LTE Band 25	20M	QPSK	26140	50RB#0	22.68	1.80	24.48	33.00	Pass
LTE Band 25	20M	QPSK	26140	50RB#25	22.60	1.80	24.40	33.00	Pass
LTE Band 25	20M	QPSK	26140	50RB#50	22.55	1.80	24.35	33.00	Pass
LTE Band 25	20M	QPSK	26140	100RB#0	22.51	1.80	24.31	33.00	Pass
LTE Band 25	20M	QPSK	26365	1RB#0	23.18	1.80	24.98	33.00	Pass
LTE Band 25	20M	QPSK	26365	1RB#50	24.00	1.80	25.80	33.00	Pass
LTE Band 25	20M	QPSK	26365	1RB#99	23.31	1.80	25.11	33.00	Pass
LTE Band 25	20M	QPSK	26365	50RB#0	22.74	1.80	24.54	33.00	Pass
LTE Band 25	20M	QPSK	26365	50RB#25	22.70	1.80	24.50	33.00	Pass
LTE Band 25	20M	QPSK	26365	50RB#50	22.67	1.80	24.47	33.00	Pass
LTE Band 25	20M	QPSK	26365	100RB#0	22.63	1.80	24.43	33.00	Pass
LTE Band 25	20M	QPSK	26590	1RB#0	23.82	1.80	25.62	33.00	Pass
LTE Band 25	20M	QPSK	26590	1RB#50	23.88	1.80	25.68	33.00	Pass
LTE Band 25	20M	QPSK	26590	1RB#99	23.50	1.80	25.30	33.00	Pass
LTE Band 25	20M	QPSK	26590	50RB#0	22.49	1.80	24.29	33.00	Pass
LTE Band 25	20M	QPSK	26590	50RB#25	22.41	1.80	24.21	33.00	Pass
LTE Band 25	20M	QPSK	26590	50RB#50	22.34	1.80	24.14	33.00	Pass
LTE Band 25	20M	QPSK	26590	100RB#0	22.43	1.80	24.23	33.00	Pass
LTE Band 25	20M	16QAM	26140	1RB#0	22.50	1.80	24.30	33.00	Pass
LTE Band 25	20M	16QAM	26140	1RB#50	23.21	1.80	25.01	33.00	Pass
LTE Band 25	20M	16QAM	26140	1RB#99	22.57	1.80	24.37	33.00	Pass
LTE Band 25	20M	16QAM	26365	1RB#0	22.74	1.80	24.54	33.00	Pass
LTE Band 25	20M	16QAM	26365	1RB#50	23.26	1.80	25.06	33.00	Pass
LTE Band 25	20M	16QAM	26365	1RB#99	22.82	1.80	24.62	33.00	Pass
LTE Band 25	20M	16QAM	26590	1RB#0	21.82	1.80	23.62	33.00	Pass
LTE Band 25	20M	16QAM	26590	1RB#50	22.49	1.80	24.29	33.00	Pass
LTE Band 25	20M	16QAM	26590	1RB#99	21.91	1.80	23.71	33.00	Pass

BAND	Bandwidth	Modulation	Channel	RB Configuration	Conducted Power(dBm)	Antenna Gain (dBi)	EIRP(dBm)	Limit(dBm)	Conclusion
LTE Band26	1.4M	QPSK	26697	1RB#0	23.89	-0.60	21.14	50.00	Pass
LTE Band26	1.4M	QPSK	26697	1RB#2	24.07	-0.60	21.32	50.00	Pass
LTE Band26	1.4M	QPSK	26697	1RB#5	23.71	-0.60	20.96	50.00	Pass
LTE Band26	1.4M	QPSK	26697	3RB#0	22.89	-0.60	20.14	50.00	Pass
LTE Band26	1.4M	QPSK	26697	3RB#2	22.81	-0.60	20.06	50.00	Pass
LTE Band26	1.4M	QPSK	26697	3RB#3	22.83	-0.60	20.08	50.00	Pass
LTE Band26	1.4M	QPSK	26697	6RB#0	22.84	-0.60	20.09	50.00	Pass
LTE Band26	1.4M	QPSK	26740	1RB#0	23.96	-0.60	21.21	50.00	Pass
LTE Band26	1.4M	QPSK	26740	1RB#2	23.66	-0.60	20.91	50.00	Pass
LTE Band26	1.4M	QPSK	26740	1RB#5	23.63	-0.60	20.88	50.00	Pass
LTE Band26	1.4M	QPSK	26740	3RB#0	22.83	-0.60	20.08	50.00	Pass
LTE Band26	1.4M	QPSK	26740	3RB#2	22.80	-0.60	20.05	50.00	Pass
LTE Band26	1.4M	QPSK	26740	3RB#3	22.69	-0.60	19.94	50.00	Pass
LTE Band26	1.4M	QPSK	26740	6RB#0	22.79	-0.60	20.04	50.00	Pass



LTE Band26	1.4M	QPSK	26783	1RB#0	23.86	-0.60	21.11	50.00	Pass
LTE Band26	1.4M	QPSK	26783	1RB#2	23.63	-0.60	20.88	50.00	Pass
LTE Band26	1.4M	QPSK	26783	1RB#5	23.71	-0.60	20.96	50.00	Pass
LTE Band26	1.4M	QPSK	26783	3RB#0	22.67	-0.60	19.92	50.00	Pass
LTE Band26	1.4M	QPSK	26783	3RB#2	22.73	-0.60	19.98	50.00	Pass
LTE Band26	1.4M	QPSK	26783	3RB#3	22.77	-0.60	20.02	50.00	Pass
LTE Band26	1.4M	QPSK	26783	6RB#0	22.80	-0.60	20.05	50.00	Pass
LTE Band26	1.4M	16QAM	26697	1RB#0	23.19	-0.60	20.44	50.00	Pass
LTE Band26	1.4M	16QAM	26697	1RB#2	23.02	-0.60	20.27	50.00	Pass
LTE Band26	1.4M	16QAM	26697	1RB#5	22.90	-0.60	20.15	50.00	Pass
LTE Band26	1.4M	16QAM	26697	3RB#0	21.87	-0.60	19.12	50.00	Pass
LTE Band26	1.4M	16QAM	26697	3RB#2	21.88	-0.60	19.13	50.00	Pass
LTE Band26	1.4M	16QAM	26697	3RB#3	21.85	-0.60	19.10	50.00	Pass
LTE Band26	1.4M	16QAM	26697	6RB#0	21.83	-0.60	19.08	50.00	Pass
LTE Band26	1.4M	16QAM	26740	1RB#0	22.73	-0.60	19.98	50.00	Pass
LTE Band26	1.4M	16QAM	26740	1RB#2	22.46	-0.60	19.71	50.00	Pass
LTE Band26	1.4M	16QAM	26740	1RB#5	22.42	-0.60	19.67	50.00	Pass
LTE Band26	1.4M	16QAM	26740	3RB#0	21.67	-0.60	18.92	50.00	Pass
LTE Band26	1.4M	16QAM	26740	3RB#2	21.65	-0.60	18.90	50.00	Pass
LTE Band26	1.4M	16QAM	26740	3RB#3	21.63	-0.60	18.88	50.00	Pass
LTE Band26	1.4M	16QAM	26740	6RB#0	21.75	-0.60	19.00	50.00	Pass
LTE Band26	1.4M	16QAM	26783	1RB#0	23.10	-0.60	20.35	50.00	Pass
LTE Band26	1.4M	16QAM	26783	1RB#2	23.16	-0.60	20.41	50.00	Pass
LTE Band26	1.4M	16QAM	26783	1RB#5	23.15	-0.60	20.40	50.00	Pass
LTE Band26	1.4M	16QAM	26783	3RB#0	21.52	-0.60	18.77	50.00	Pass
LTE Band26	1.4M	16QAM	26783	3RB#2	21.58	-0.60	18.83	50.00	Pass
LTE Band26	1.4M	16QAM	26783	3RB#3	21.58	-0.60	18.83	50.00	Pass
LTE Band26	1.4M	16QAM	26783	6RB#0	21.87	-0.60	19.12	50.00	Pass
LTE Band26	3M	QPSK	26705	1RB#0	23.91	-0.60	21.16	50.00	Pass
LTE Band26	3M	QPSK	26705	1RB#7	24.10	-0.60	21.35	50.00	Pass
LTE Band26	3M	QPSK	26705	1RB#14	23.74	-0.60	20.99	50.00	Pass
LTE Band26	3M	QPSK	26705	8RB#0	22.97	-0.60	20.22	50.00	Pass
LTE Band26	3M	QPSK	26705	8RB#4	22.91	-0.60	20.16	50.00	Pass
LTE Band26	3M	QPSK	26705	8RB#7	22.91	-0.60	20.16	50.00	Pass
LTE Band26	3M	QPSK	26705	15RB#0	22.87	-0.60	20.12	50.00	Pass
LTE Band26	3M	QPSK	26740	1RB#0	24.00	-0.60	21.25	50.00	Pass
LTE Band26	3M	QPSK	26740	1RB#7	23.71	-0.60	20.96	50.00	Pass
LTE Band26	3M	QPSK	26740	1RB#14	23.68	-0.60	20.93	50.00	Pass
LTE Band26	3M	QPSK	26740	8RB#0	22.93	-0.60	20.18	50.00	Pass
LTE Band26	3M	QPSK	26740	8RB#4	22.88	-0.60	20.13	50.00	Pass
LTE Band26	3M	QPSK	26740	8RB#7	22.78	-0.60	20.03	50.00	Pass
LTE Band26	3M	QPSK	26740	15RB#0	22.83	-0.60	20.08	50.00	Pass
LTE Band26	3M	QPSK	26775	1RB#0	23.89	-0.60	21.14	50.00	Pass
LTE Band26	3M	QPSK	26775	1RB#7	23.67	-0.60	20.92	50.00	Pass
LTE Band26	3M	QPSK	26775	1RB#14	23.75	-0.60	21.00	50.00	Pass
LTE Band26	3M	QPSK	26775	8RB#0	22.78	-0.60	20.03	50.00	Pass
LTE Band26	3M	QPSK	26775	8RB#4	22.83	-0.60	20.08	50.00	Pass
LTE Band26	3M	QPSK	26775	8RB#7	22.85	-0.60	20.10	50.00	Pass
LTE Band26	3M	QPSK	26775	15RB#0	22.83	-0.60	20.08	50.00	Pass
LTE Band26	3M	16QAM	26705	1RB#0	23.22	-0.60	20.47	50.00	Pass



LTE Band26	3M	16QAM	26705	1RB#7	23.05	-0.60	20.30	50.00	Pass
LTE Band26	3M	16QAM	26705	1RB#14	22.92	-0.60	20.17	50.00	Pass
LTE Band26	3M	16QAM	26705	8RB#0	21.96	-0.60	19.21	50.00	Pass
LTE Band26	3M	16QAM	26705	8RB#4	21.97	-0.60	19.22	50.00	Pass
LTE Band26	3M	16QAM	26705	8RB#7	21.93	-0.60	19.18	50.00	Pass
LTE Band26	3M	16QAM	26705	15RB#0	21.86	-0.60	19.11	50.00	Pass
LTE Band26	3M	16QAM	26740	1RB#0	22.75	-0.60	20.00	50.00	Pass
LTE Band26	3M	16QAM	26740	1RB#7	22.51	-0.60	19.76	50.00	Pass
LTE Band26	3M	16QAM	26740	1RB#14	22.46	-0.60	19.71	50.00	Pass
LTE Band26	3M	16QAM	26740	8RB#0	21.78	-0.60	19.03	50.00	Pass
LTE Band26	3M	16QAM	26740	8RB#4	21.76	-0.60	19.01	50.00	Pass
LTE Band26	3M	16QAM	26740	8RB#7	21.73	-0.60	18.98	50.00	Pass
LTE Band26	3M	16QAM	26740	15RB#0	21.79	-0.60	19.04	50.00	Pass
LTE Band26	3M	16QAM	26775	1RB#0	23.13	-0.60	20.38	50.00	Pass
LTE Band26	3M	16QAM	26775	1RB#7	23.20	-0.60	20.45	50.00	Pass
LTE Band26	3M	16QAM	26775	1RB#14	23.18	-0.60	20.43	50.00	Pass
LTE Band26	3M	16QAM	26775	8RB#0	21.62	-0.60	18.87	50.00	Pass
LTE Band26	3M	16QAM	26775	8RB#4	21.68	-0.60	18.93	50.00	Pass
LTE Band26	3M	16QAM	26775	8RB#7	21.69	-0.60	18.94	50.00	Pass
LTE Band26	3M	16QAM	26775	15RB#0	21.90	-0.60	19.15	50.00	Pass
LTE Band26	5M	QPSK	26715	1RB#0	23.86	-0.60	21.11	50.00	Pass
LTE Band26	5M	QPSK	26715	1RB#13	24.08	-0.60	21.33	50.00	Pass
LTE Band26	5M	QPSK	26715	1RB#24	23.68	-0.60	20.93	50.00	Pass
LTE Band26	5M	QPSK	26715	12RB#0	22.92	-0.60	20.17	50.00	Pass
LTE Band26	5M	QPSK	26715	12RB#6	22.87	-0.60	20.12	50.00	Pass
LTE Band26	5M	QPSK	26715	12RB#13	22.85	-0.60	20.10	50.00	Pass
LTE Band26	5M	QPSK	26715	25RB#0	22.88	-0.60	20.13	50.00	Pass
LTE Band26	5M	QPSK	26740	1RB#0	23.91	-0.60	21.16	50.00	Pass
LTE Band26	5M	QPSK	26740	1RB#13	23.67	-0.60	20.92	50.00	Pass
LTE Band26	5M	QPSK	26740	1RB#24	23.61	-0.60	20.86	50.00	Pass
LTE Band26	5M	QPSK	26740	12RB#0	22.84	-0.60	20.09	50.00	Pass
LTE Band26	5M	QPSK	26740	12RB#6	22.80	-0.60	20.05	50.00	Pass
LTE Band26	5M	QPSK	26740	12RB#13	22.72	-0.60	19.97	50.00	Pass
LTE Band26	5M	QPSK	26740	25RB#0	22.75	-0.60	20.00	50.00	Pass
LTE Band26	5M	QPSK	26765	1RB#0	23.83	-0.60	21.08	50.00	Pass
LTE Band26	5M	QPSK	26765	1RB#13	23.63	-0.60	20.88	50.00	Pass
LTE Band26	5M	QPSK	26765	1RB#24	23.67	-0.60	20.92	50.00	Pass
LTE Band26	5M	QPSK	26765	12RB#0	22.71	-0.60	19.96	50.00	Pass
LTE Band26	5M	QPSK	26765	12RB#6	22.75	-0.60	20.00	50.00	Pass
LTE Band26	5M	QPSK	26765	12RB#13	22.78	-0.60	20.03	50.00	Pass
LTE Band26	5M	QPSK	26765	25RB#0	22.76	-0.60	20.01	50.00	Pass
LTE Band26	5M	16QAM	26715	1RB#0	23.14	-0.60	20.39	50.00	Pass
LTE Band26	5M	16QAM	26715	1RB#13	22.99	-0.60	20.24	50.00	Pass
LTE Band26	5M	16QAM	26715	1RB#24	22.87	-0.60	20.12	50.00	Pass
LTE Band26	5M	16QAM	26715	12RB#0	21.91	-0.60	19.16	50.00	Pass
LTE Band26	5M	16QAM	26715	12RB#6	21.90	-0.60	19.15	50.00	Pass
LTE Band26	5M	16QAM	26715	12RB#13	21.88	-0.60	19.13	50.00	Pass
LTE Band26	5M	16QAM	26715	25RB#0	21.82	-0.60	19.07	50.00	Pass
LTE Band26	5M	16QAM	26740	1RB#0	22.68	-0.60	19.93	50.00	Pass
LTE Band26	5M	16QAM	26740	1RB#13	22.48	-0.60	19.73	50.00	Pass



LTE Band26	5M	16QAM	26740	1RB#24	22.39	-0.60	19.64	50.00	Pass
LTE Band26	5M	16QAM	26740	12RB#0	21.73	-0.60	18.98	50.00	Pass
LTE Band26	5M	16QAM	26740	12RB#6	21.68	-0.60	18.93	50.00	Pass
LTE Band26	5M	16QAM	26740	12RB#13	21.64	-0.60	18.89	50.00	Pass
LTE Band26	5M	16QAM	26740	25RB#0	21.71	-0.60	18.96	50.00	Pass
LTE Band26	5M	16QAM	26765	1RB#0	23.05	-0.60	20.30	50.00	Pass
LTE Band26	5M	16QAM	26765	1RB#13	23.14	-0.60	20.39	50.00	Pass
LTE Band26	5M	16QAM	26765	1RB#24	23.12	-0.60	20.37	50.00	Pass
LTE Band26	5M	16QAM	26765	12RB#0	21.57	-0.60	18.82	50.00	Pass
LTE Band26	5M	16QAM	26765	12RB#6	21.60	-0.60	18.85	50.00	Pass
LTE Band26	5M	16QAM	26765	12RB#13	21.62	-0.60	18.87	50.00	Pass
LTE Band26	5M	16QAM	26765	25RB#0	21.82	-0.60	19.07	50.00	Pass
LTE Band26	10M	QPSK	26740	1RB#0	23.76	-0.60	21.01	50.00	Pass
LTE Band26	10M	QPSK	26740	1RB#25	23.76	-0.60	21.01	50.00	Pass
LTE Band26	10M	QPSK	26740	1RB#49	23.56	-0.60	20.81	50.00	Pass
LTE Band26	10M	QPSK	26740	25RB#0	22.88	-0.60	20.13	50.00	Pass
LTE Band26	10M	QPSK	26740	25RB#13	22.82	-0.60	20.07	50.00	Pass
LTE Band26	10M	QPSK	26740	25RB#25	22.79	-0.60	20.04	50.00	Pass
LTE Band26	10M	QPSK	26740	50RB#0	22.90	-0.60	20.15	50.00	Pass
LTE Band26	10M	16QAM	26740	1RB#0	23.05	-0.60	20.30	50.00	Pass
LTE Band26	10M	16QAM	26740	1RB#25	23.30	-0.60	20.55	50.00	Pass
LTE Band26	10M	16QAM	26740	1RB#49	23.06	-0.60	20.31	50.00	Pass
LTE Band26	10M	16QAM	26740	25RB#0	21.92	-0.60	19.17	50.00	Pass
LTE Band26	10M	16QAM	26740	25RB#13	21.80	-0.60	19.05	50.00	Pass
LTE Band26	10M	16QAM	26740	25RB#25	21.70	-0.60	18.95	50.00	Pass

BAND	Bandwidth	Modulation	Channel	RB Configuration	Conducted Power(dBm)	Antenna Gain (dBi)	EIRP(dBm)	Limit(dBm)	Conclusion
LTE Band 26	1.4M	QPSK	26797	1RB#0	24.03	-0.60	21.28	38.45	Pass
LTE Band 26	1.4M	QPSK	26797	1RB#2	23.84	-0.60	21.09	38.45	Pass
LTE Band 26	1.4M	QPSK	26797	1RB#5	23.67	-0.60	20.92	38.45	Pass
LTE Band 26	1.4M	QPSK	26797	3RB#0	22.86	-0.60	20.11	38.45	Pass
LTE Band 26	1.4M	QPSK	26797	3RB#2	22.82	-0.60	20.07	38.45	Pass
LTE Band 26	1.4M	QPSK	26797	3RB#3	22.85	-0.60	20.10	38.45	Pass
LTE Band 26	1.4M	QPSK	26797	6RB#0	22.74	-0.60	19.99	38.45	Pass
LTE Band 26	1.4M	QPSK	26915	1RB#0	23.71	-0.60	20.96	38.45	Pass
LTE Band 26	1.4M	QPSK	26915	1RB#2	23.77	-0.60	21.02	38.45	Pass
LTE Band 26	1.4M	QPSK	26915	1RB#5	23.74	-0.60	20.99	38.45	Pass
LTE Band 26	1.4M	QPSK	26915	3RB#0	22.75	-0.60	20.00	38.45	Pass
LTE Band 26	1.4M	QPSK	26915	3RB#2	22.73	-0.60	19.98	38.45	Pass
LTE Band 26	1.4M	QPSK	26915	3RB#3	22.67	-0.60	19.92	38.45	Pass
LTE Band 26	1.4M	QPSK	26915	6RB#0	22.73	-0.60	19.98	38.45	Pass
LTE Band 26	1.4M	QPSK	27033	1RB#0	23.58	-0.60	20.83	38.45	Pass
LTE Band 26	1.4M	QPSK	27033	1RB#2	23.61	-0.60	20.86	38.45	Pass
LTE Band 26	1.4M	QPSK	27033	1RB#5	23.54	-0.60	20.79	38.45	Pass
LTE Band 26	1.4M	QPSK	27033	3RB#0	22.66	-0.60	19.91	38.45	Pass
LTE Band 26	1.4M	QPSK	27033	3RB#2	22.67	-0.60	19.92	38.45	Pass
LTE Band 26	1.4M	QPSK	27033	3RB#3	22.66	-0.60	19.91	38.45	Pass
LTE Band 26	1.4M	QPSK	27033	6RB#0	22.69	-0.60	19.94	38.45	Pass
LTE Band 26	1.4M	16QAM	26797	1RB#0	23.00	-0.60	20.25	38.45	Pass



LTE Band 26	1.4M	16QAM	26797	1RB#2	23.23	-0.60	20.48	38.45	Pass
LTE Band 26	1.4M	16QAM	26797	1RB#5	23.29	-0.60	20.54	38.45	Pass
LTE Band 26	1.4M	16QAM	26797	3RB#0	21.61	-0.60	18.86	38.45	Pass
LTE Band 26	1.4M	16QAM	26797	3RB#2	21.58	-0.60	18.83	38.45	Pass
LTE Band 26	1.4M	16QAM	26797	3RB#3	21.62	-0.60	18.87	38.45	Pass
LTE Band 26	1.4M	16QAM	26797	6RB#0	21.75	-0.60	19.00	38.45	Pass
LTE Band 26	1.4M	16QAM	26915	1RB#0	22.44	-0.60	19.69	38.45	Pass
LTE Band 26	1.4M	16QAM	26915	1RB#2	22.38	-0.60	19.63	38.45	Pass
LTE Band 26	1.4M	16QAM	26915	1RB#5	22.49	-0.60	19.74	38.45	Pass
LTE Band 26	1.4M	16QAM	26915	3RB#0	21.70	-0.60	18.95	38.45	Pass
LTE Band 26	1.4M	16QAM	26915	3RB#2	21.72	-0.60	18.97	38.45	Pass
LTE Band 26	1.4M	16QAM	26915	3RB#3	21.71	-0.60	18.96	38.45	Pass
LTE Band 26	1.4M	16QAM	26915	6RB#0	21.79	-0.60	19.04	38.45	Pass
LTE Band 26	1.4M	16QAM	27033	1RB#0	22.15	-0.60	19.40	38.45	Pass
LTE Band 26	1.4M	16QAM	27033	1RB#2	22.35	-0.60	19.60	38.45	Pass
LTE Band 26	1.4M	16QAM	27033	1RB#5	22.00	-0.60	19.25	38.45	Pass
LTE Band 26	1.4M	16QAM	27033	3RB#0	21.42	-0.60	18.67	38.45	Pass
LTE Band 26	1.4M	16QAM	27033	3RB#2	21.48	-0.60	18.73	38.45	Pass
LTE Band 26	1.4M	16QAM	27033	3RB#3	21.49	-0.60	18.74	38.45	Pass
LTE Band 26	1.4M	16QAM	27033	6RB#0	21.72	-0.60	18.97	38.45	Pass
LTE Band 26	3M	QPSK	26805	1RB#0	24.05	-0.60	21.30	38.45	Pass
LTE Band 26	3M	QPSK	26805	1RB#7	23.87	-0.60	21.12	38.45	Pass
LTE Band 26	3M	QPSK	26805	1RB#14	23.70	-0.60	20.95	38.45	Pass
LTE Band 26	3M	QPSK	26805	8RB#0	22.94	-0.60	20.19	38.45	Pass
LTE Band 26	3M	QPSK	26805	8RB#4	22.92	-0.60	20.17	38.45	Pass
LTE Band 26	3M	QPSK	26805	8RB#7	22.93	-0.60	20.18	38.45	Pass
LTE Band 26	3M	QPSK	26805	15RB#0	22.77	-0.60	20.02	38.45	Pass
LTE Band 26	3M	QPSK	26915	1RB#0	23.75	-0.60	21.00	38.45	Pass
LTE Band 26	3M	QPSK	26915	1RB#7	23.82	-0.60	21.07	38.45	Pass
LTE Band 26	3M	QPSK	26915	1RB#14	23.79	-0.60	21.04	38.45	Pass
LTE Band 26	3M	QPSK	26915	8RB#0	22.85	-0.60	20.10	38.45	Pass
LTE Band 26	3M	QPSK	26915	8RB#4	22.81	-0.60	20.06	38.45	Pass
LTE Band 26	3M	QPSK	26915	8RB#7	22.76	-0.60	20.01	38.45	Pass
LTE Band 26	3M	QPSK	26915	15RB#0	22.77	-0.60	20.02	38.45	Pass
LTE Band 26	3M	QPSK	27025	1RB#0	23.61	-0.60	20.86	38.45	Pass
LTE Band 26	3M	QPSK	27025	1RB#7	23.65	-0.60	20.90	38.45	Pass
LTE Band 26	3M	QPSK	27025	1RB#14	23.58	-0.60	20.83	38.45	Pass
LTE Band 26	3M	QPSK	27025	8RB#0	22.77	-0.60	20.02	38.45	Pass
LTE Band 26	3M	QPSK	27025	8RB#4	22.77	-0.60	20.02	38.45	Pass
LTE Band 26	3M	QPSK	27025	8RB#7	22.74	-0.60	19.99	38.45	Pass
LTE Band 26	3M	QPSK	27025	15RB#0	22.72	-0.60	19.97	38.45	Pass
LTE Band 26	3M	16QAM	26805	1RB#0	23.03	-0.60	20.28	38.45	Pass
LTE Band 26	3M	16QAM	26805	1RB#7	23.26	-0.60	20.51	38.45	Pass
LTE Band 26	3M	16QAM	26805	1RB#14	23.31	-0.60	20.56	38.45	Pass
LTE Band 26	3M	16QAM	26805	8RB#0	21.70	-0.60	18.95	38.45	Pass
LTE Band 26	3M	16QAM	26805	8RB#4	21.67	-0.60	18.92	38.45	Pass
LTE Band 26	3M	16QAM	26805	8RB#7	21.70	-0.60	18.95	38.45	Pass
LTE Band 26	3M	16QAM	26805	15RB#0	21.78	-0.60	19.03	38.45	Pass
LTE Band 26	3M	16QAM	26915	1RB#0	22.46	-0.60	19.71	38.45	Pass
LTE Band 26	3M	16QAM	26915	1RB#7	22.43	-0.60	19.68	38.45	Pass



LTE Band 26	3M	16QAM	26915	1RB#14	22.53	-0.60	19.78	38.45	Pass
LTE Band 26	3M	16QAM	26915	8RB#0	21.81	-0.60	19.06	38.45	Pass
LTE Band 26	3M	16QAM	26915	8RB#4	21.83	-0.60	19.08	38.45	Pass
LTE Band 26	3M	16QAM	26915	8RB#7	21.81	-0.60	19.06	38.45	Pass
LTE Band 26	3M	16QAM	26915	15RB#0	21.83	-0.60	19.08	38.45	Pass
LTE Band 26	3M	16QAM	27025	1RB#0	22.18	-0.60	19.43	38.45	Pass
LTE Band 26	3M	16QAM	27025	1RB#7	22.39	-0.60	19.64	38.45	Pass
LTE Band 26	3M	16QAM	27025	1RB#14	22.03	-0.60	19.28	38.45	Pass
LTE Band 26	3M	16QAM	27025	8RB#0	21.52	-0.60	18.77	38.45	Pass
LTE Band 26	3M	16QAM	27025	8RB#4	21.58	-0.60	18.83	38.45	Pass
LTE Band 26	3M	16QAM	27025	8RB#7	21.60	-0.60	18.85	38.45	Pass
LTE Band 26	3M	16QAM	27025	15RB#0	21.75	-0.60	19.00	38.45	Pass
LTE Band 26	5M	QPSK	26815	1RB#0	24.00	-0.60	21.25	38.45	Pass
LTE Band 26	5M	QPSK	26815	1RB#13	23.85	-0.60	21.10	38.45	Pass
LTE Band 26	5M	QPSK	26815	1RB#24	23.64	-0.60	20.89	38.45	Pass
LTE Band 26	5M	QPSK	26815	12RB#0	22.89	-0.60	20.14	38.45	Pass
LTE Band 26	5M	QPSK	26815	12RB#6	22.88	-0.60	20.13	38.45	Pass
LTE Band 26	5M	QPSK	26815	12RB#13	22.87	-0.60	20.12	38.45	Pass
LTE Band 26	5M	QPSK	26815	25RB#0	22.78	-0.60	20.03	38.45	Pass
LTE Band 26	5M	QPSK	26915	1RB#0	23.66	-0.60	20.91	38.45	Pass
LTE Band 26	5M	QPSK	26915	1RB#13	23.78	-0.60	21.03	38.45	Pass
LTE Band 26	5M	QPSK	26915	1RB#24	23.72	-0.60	20.97	38.45	Pass
LTE Band 26	5M	QPSK	26915	12RB#0	22.76	-0.60	20.01	38.45	Pass
LTE Band 26	5M	QPSK	26915	12RB#6	22.73	-0.60	19.98	38.45	Pass
LTE Band 26	5M	QPSK	26915	12RB#13	22.70	-0.60	19.95	38.45	Pass
LTE Band 26	5M	QPSK	26915	25RB#0	22.69	-0.60	19.94	38.45	Pass
LTE Band 26	5M	QPSK	27015	1RB#0	23.55	-0.60	20.80	38.45	Pass
LTE Band 26	5M	QPSK	27015	1RB#13	23.61	-0.60	20.86	38.45	Pass
LTE Band 26	5M	QPSK	27015	1RB#24	23.50	-0.60	20.75	38.45	Pass
LTE Band 26	5M	QPSK	27015	12RB#0	22.70	-0.60	19.95	38.45	Pass
LTE Band 26	5M	QPSK	27015	12RB#6	22.69	-0.60	19.94	38.45	Pass
LTE Band 26	5M	QPSK	27015	12RB#13	22.67	-0.60	19.92	38.45	Pass
LTE Band 26	5M	QPSK	27015	25RB#0	22.65	-0.60	19.90	38.45	Pass
LTE Band 26	5M	16QAM	26815	1RB#0	22.95	-0.60	20.20	38.45	Pass
LTE Band 26	5M	16QAM	26815	1RB#13	23.20	-0.60	20.45	38.45	Pass
LTE Band 26	5M	16QAM	26815	1RB#24	23.26	-0.60	20.51	38.45	Pass
LTE Band 26	5M	16QAM	26815	12RB#0	21.65	-0.60	18.90	38.45	Pass
LTE Band 26	5M	16QAM	26815	12RB#6	21.60	-0.60	18.85	38.45	Pass
LTE Band 26	5M	16QAM	26815	12RB#13	21.65	-0.60	18.90	38.45	Pass
LTE Band 26	5M	16QAM	26815	25RB#0	21.74	-0.60	18.99	38.45	Pass
LTE Band 26	5M	16QAM	26915	1RB#0	22.39	-0.60	19.64	38.45	Pass
LTE Band 26	5M	16QAM	26915	1RB#13	22.40	-0.60	19.65	38.45	Pass
LTE Band 26	5M	16QAM	26915	1RB#24	22.46	-0.60	19.71	38.45	Pass
LTE Band 26	5M	16QAM	26915	12RB#0	21.76	-0.60	19.01	38.45	Pass
LTE Band 26	5M	16QAM	26915	12RB#6	21.75	-0.60	19.00	38.45	Pass
LTE Band 26	5M	16QAM	26915	12RB#13	21.72	-0.60	18.97	38.45	Pass
LTE Band 26	5M	16QAM	26915	25RB#0	21.75	-0.60	19.00	38.45	Pass
LTE Band 26	5M	16QAM	27015	1RB#0	22.10	-0.60	19.35	38.45	Pass
LTE Band 26	5M	16QAM	27015	1RB#13	22.33	-0.60	19.58	38.45	Pass
LTE Band 26	5M	16QAM	27015	1RB#24	21.97	-0.60	19.22	38.45	Pass



LTE Band 26	5M	16QAM	27015	12RB#0	21.47	-0.60	18.72	38.45	Pass
LTE Band 26	5M	16QAM	27015	12RB#6	21.50	-0.60	18.75	38.45	Pass
LTE Band 26	5M	16QAM	27015	12RB#13	21.53	-0.60	18.78	38.45	Pass
LTE Band 26	5M	16QAM	27015	25RB#0	21.67	-0.60	18.92	38.45	Pass
LTE Band 26	10M	QPSK	26840	1RB#0	23.83	-0.60	21.08	38.45	Pass
LTE Band 26	10M	QPSK	26840	1RB#25	23.81	-0.60	21.06	38.45	Pass
LTE Band 26	10M	QPSK	26840	1RB#49	23.75	-0.60	21.00	38.45	Pass
LTE Band 26	10M	QPSK	26840	25RB#0	22.79	-0.60	20.04	38.45	Pass
LTE Band 26	10M	QPSK	26840	25RB#13	22.81	-0.60	20.06	38.45	Pass
LTE Band 26	10M	QPSK	26840	25RB#25	22.85	-0.60	20.10	38.45	Pass
LTE Band 26	10M	QPSK	26840	50RB#0	22.93	-0.60	20.18	38.45	Pass
LTE Band 26	10M	QPSK	26915	1RB#0	23.82	-0.60	21.07	38.45	Pass
LTE Band 26	10M	QPSK	26915	1RB#25	23.77	-0.60	21.02	38.45	Pass
LTE Band 26	10M	QPSK	26915	1RB#49	23.63	-0.60	20.88	38.45	Pass
LTE Band 26	10M	QPSK	26915	25RB#0	22.78	-0.60	20.03	38.45	Pass
LTE Band 26	10M	QPSK	26915	25RB#13	22.73	-0.60	19.98	38.45	Pass
LTE Band 26	10M	QPSK	26915	25RB#25	22.71	-0.60	19.96	38.45	Pass
LTE Band 26	10M	QPSK	26915	50RB#0	22.75	-0.60	20.00	38.45	Pass
LTE Band 26	10M	QPSK	26990	1RB#0	23.64	-0.60	20.89	38.45	Pass
LTE Band 26	10M	QPSK	26990	1RB#25	23.88	-0.60	21.13	38.45	Pass
LTE Band 26	10M	QPSK	26990	1RB#49	23.60	-0.60	20.85	38.45	Pass
LTE Band 26	10M	QPSK	26990	25RB#0	22.75	-0.60	20.00	38.45	Pass
LTE Band 26	10M	QPSK	26990	25RB#13	22.74	-0.60	19.99	38.45	Pass
LTE Band 26	10M	QPSK	26990	25RB#25	22.73	-0.60	19.98	38.45	Pass
LTE Band 26	10M	QPSK	26990	50RB#0	22.76	-0.60	20.01	38.45	Pass
LTE Band 26	10M	16QAM	26840	1RB#0	23.01	-0.60	20.26	38.45	Pass
LTE Band 26	10M	16QAM	26840	1RB#25	23.46	-0.60	20.71	38.45	Pass
LTE Band 26	10M	16QAM	26840	1RB#49	23.02	-0.60	20.27	38.45	Pass
LTE Band 26	10M	16QAM	26840	25RB#0	21.85	-0.60	19.10	38.45	Pass
LTE Band 26	10M	16QAM	26840	25RB#13	21.81	-0.60	19.06	38.45	Pass
LTE Band 26	10M	16QAM	26840	25RB#25	21.84	-0.60	19.09	38.45	Pass
LTE Band 26	10M	16QAM	26915	1RB#0	23.40	-0.60	20.65	38.45	Pass
LTE Band 26	10M	16QAM	26915	1RB#25	23.22	-0.60	20.47	38.45	Pass
LTE Band 26	10M	16QAM	26915	1RB#49	23.10	-0.60	20.35	38.45	Pass
LTE Band 26	10M	16QAM	26915	25RB#0	21.66	-0.60	18.91	38.45	Pass
LTE Band 26	10M	16QAM	26915	25RB#13	21.73	-0.60	18.98	38.45	Pass
LTE Band 26	10M	16QAM	26915	25RB#25	21.82	-0.60	19.07	38.45	Pass
LTE Band 26	10M	16QAM	26990	1RB#0	23.36	-0.60	20.61	38.45	Pass
LTE Band 26	10M	16QAM	26990	1RB#25	23.31	-0.60	20.56	38.45	Pass
LTE Band 26	10M	16QAM	26990	1RB#49	22.99	-0.60	20.24	38.45	Pass
LTE Band 26	10M	16QAM	26990	25RB#0	21.82	-0.60	19.07	38.45	Pass
LTE Band 26	10M	16QAM	26990	25RB#13	21.78	-0.60	19.03	38.45	Pass
LTE Band 26	10M	16QAM	26990	25RB#25	21.69	-0.60	18.94	38.45	Pass
LTE Band 26	15M	QPSK	26865	1RB#0	23.79	-0.60	21.04	38.45	Pass
LTE Band 26	15M	QPSK	26865	1RB#38	24.02	-0.60	21.27	38.45	Pass
LTE Band 26	15M	QPSK	26865	1RB#74	23.78	-0.60	21.03	38.45	Pass
LTE Band 26	15M	QPSK	26865	36RB#0	22.90	-0.60	20.15	38.45	Pass
LTE Band 26	15M	QPSK	26865	36RB#18	22.85	-0.60	20.10	38.45	Pass
LTE Band 26	15M	QPSK	26865	36RB#39	22.82	-0.60	20.07	38.45	Pass
LTE Band 26	15M	QPSK	26865	75RB#0	22.80	-0.60	20.05	38.45	Pass



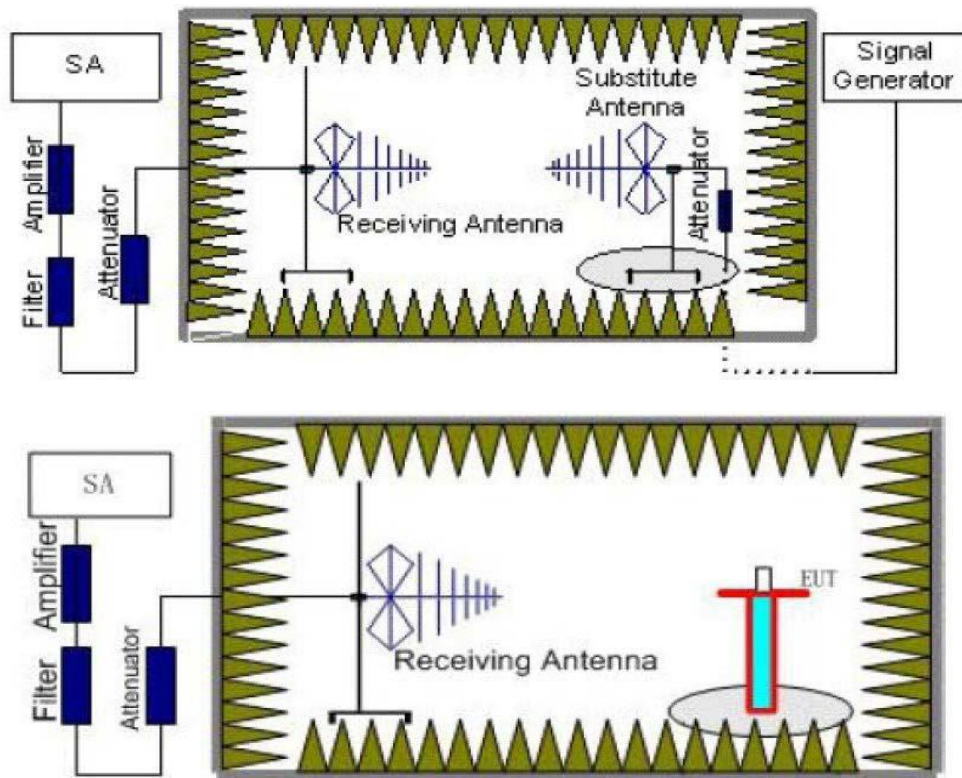
LTE Band 26	15M	QPSK	26915	1RB#0	23.75	-0.60	21.00	38.45	Pass
LTE Band 26	15M	QPSK	26915	1RB#38	23.58	-0.60	20.83	38.45	Pass
LTE Band 26	15M	QPSK	26915	1RB#74	23.59	-0.60	20.84	38.45	Pass
LTE Band 26	15M	QPSK	26915	36RB#0	22.87	-0.60	20.12	38.45	Pass
LTE Band 26	15M	QPSK	26915	36RB#18	22.81	-0.60	20.06	38.45	Pass
LTE Band 26	15M	QPSK	26915	36RB#39	22.74	-0.60	19.99	38.45	Pass
LTE Band 26	15M	QPSK	26915	75RB#0	22.78	-0.60	20.03	38.45	Pass
LTE Band 26	15M	QPSK	26965	1RB#0	23.66	-0.60	20.91	38.45	Pass
LTE Band 26	15M	QPSK	26965	1RB#38	23.54	-0.60	20.79	38.45	Pass
LTE Band 26	15M	QPSK	26965	1RB#74	23.50	-0.60	20.75	38.45	Pass
LTE Band 26	15M	QPSK	26965	36RB#0	22.69	-0.60	19.94	38.45	Pass
LTE Band 26	15M	QPSK	26965	36RB#18	22.72	-0.60	19.97	38.45	Pass
LTE Band 26	15M	QPSK	26965	36RB#39	22.70	-0.60	19.95	38.45	Pass
LTE Band 26	15M	QPSK	26965	75RB#0	22.75	-0.60	20.00	38.45	Pass
LTE Band 26	15M	16QAM	26865	1RB#0	22.52	-0.60	19.77	38.45	Pass
LTE Band 26	15M	16QAM	26865	1RB#38	22.60	-0.60	19.85	38.45	Pass
LTE Band 26	15M	16QAM	26865	1RB#74	22.62	-0.60	19.87	38.45	Pass
LTE Band 26	15M	16QAM	26915	1RB#0	23.38	-0.60	20.63	38.45	Pass
LTE Band 26	15M	16QAM	26915	1RB#38	23.27	-0.60	20.52	38.45	Pass
LTE Band 26	15M	16QAM	26915	1RB#74	23.03	-0.60	20.28	38.45	Pass
LTE Band 26	15M	16QAM	26965	1RB#0	22.55	-0.60	19.80	38.45	Pass
LTE Band 26	15M	16QAM	26965	1RB#38	22.46	-0.60	19.71	38.45	Pass
LTE Band 26	15M	16QAM	26965	1RB#74	22.34	-0.60	19.59	38.45	Pass

4.2 Radiated Spurious Emission

LIMIT

Refer to section 3.3 of this report for each frequency band

TEST CONFIGURATION



TEST PROCEDURE

1. Setup as illustrated above the DUT placed on the 0.8m height (for frequencies < 1GHz) or 1.5m (for frequencies > 1GHz) of Turn Table, rotated the table around 360 degrees to search the maximum radiation power and receiver antenna shall be rotated vertical and horizontal polarization and moved height from 1m to 4m to find the maximum polar radiated power.
2. A log-periodic antenna or double-ridged waveguide horn antenna shall be substituted in place of the EUT. The log-periodic antenna will be driven by a signal generator and the level will be adjusted till the same power value on the spectrum analyzer or receiver. The level of the spurious emissions can be calculated through the level of the signal generator, cable loss, the gain of the substitution antenna and the reading of the spectrum analyzer or receiver.
3. The EUT is then put into continuously transmitting mode at its maximum power level during the test. Set Test Receiver or Spectrum RBW=1MHz, VBW=3MHz, And the maximum value of the receiver should be recorded as (P_r).
4. The EUT shall be replaced by a substitution antenna. In the chamber, an substitution antenna for the frequency band of interest is placed at the reference point of the chamber. An RF Signal source for the frequency band of interest is connected to the substitution antenna with a cable that has been constructed to not interfere with the radiation pattern of the antenna. A power (P_{Mea}) is applied to the input of the substitution antenna, and adjust the level of the signal generator output until the value of the receiver reach the previously recorded (P_r). The power of signal source (P_{Mea}) is recorded. The test should be performed by rotating the test item and adjusting the receiving antenna polarization.
5. A amplifier should be connected to the Signal Source output port. And the cable should be connect between the Amplifier and the Substitution Antenna. The cable loss (P_{cl}), the Substitution Antenna Gain (G_a) and the Amplifier Gain (P_{Ag}) should be recorded after test. The measurement results are obtained as described below:

$$\text{Power(EIRP)} = P_{Mea} + P_{Ag} - P_{cl} + G_a$$
 It can omit power amplifier if signal generator level meets requirement;



6. This value is EIRP since the measurement is calibrated using an antenna of known gain (2.15 dBi) and known input power.
7. ERP can be calculated from EIRP by subtracting the gain of the dipole, $ERP = EIRP - 2.15\text{dBi}$.
8. In order to make sure test results more clearly, we set frequency range and sweep time for difference frequency range as follows table:

Subrange (GHz)	RBW	VBW	Sweep time (s)
0.00009~0.15	1KHz	3KHz	30
0.00015~0.03	10KHz	30KHz	10
0.03~1	100KHz	300KHz	10
1~2	1 MHz	3 MHz	2
2~5	1 MHz	3 MHz	3
5~8	1 MHz	3 MHz	3
8~10 th	1 MHz	3 MHz	3

TEST LIMITS

According to rules specify that the power of any emission outside of the authorized operating frequency ranges must be attenuated below the transmitting power (P) by a factor of at least $43 + 10 \log(P)$ dB. The specification that emissions shall be attenuated below the transmitter power (P) by at least $43 + 10 \log(P)$ dB, translates in the relevant power range (1 to 0.001 W) to -13 dBm. At 1 W the specified minimum attenuation becomes 43 dB and relative to a 30 dBm (1 W) carrier becomes a limit of -13 dBm. At 0.001 W (0 dBm) the minimum attenuation is 13 dB, which again yields a limit of -13 dBm. In this way a translation of the specification from relative to absolute terms is carried out.

Channel	Frequency Range	Verdict
Low	9 KHz – 10 th GHz	PASS
Middle	9 KHz – 10 th GHz	PASS
High	9 KHz – 10 th GHz	PASS

TEST RESULTS

Pass

Temperature	24.8°C	Humidity	58%
Test Engineer	Anna Hu		

Remark:

1. We tested all RB Configuration refer 3GPP TS136 521 for each Channel Bandwidth as list in section 3.3 of this report;
2. $EIRP = P_{Mea}(\text{dBm}) - P_{cl}(\text{dB}) + G_a(\text{dBi})$
3. We were not recorded other points as values lower than limits.
4. $\text{Margin} = EIRP - \text{Limit}$

*LTE FDD Band 2_Channel Bandwidth 10MHz_QPSK_Low Channel*

Frequency (MHz)	P _{Mea} (dBm)	P _{cl} (dB)	Diatance	G _a Antenna Gain(dB)	Peak EIRP (dBm)	Limit (dBm)	Margin (dB)	Polarization
3710	-52.96	1.27	3	12.11	-42.12	-13	29.12	H
3710	-57.06	1.27	3	12.11	-46.22	-13	33.22	V
5565	-53.36	1.7	3	12.58	-42.48	-13	29.48	H
5565	-59.85	1.7	3	12.58	-48.97	-13	35.97	V

LTE FDD Band 2_Channel Bandwidth 10MHz_QPSK_Middle Channel

Frequency (MHz)	P _{Mea} (dBm)	P _{cl} (dB)	Diatance	G _a Antenna Gain(dB)	Peak EIRP (dBm)	Limit (dBm)	Margin (dB)	Polarization
3760	-53.88	1.28	3	12.16	-43.00	-13	30.00	H
3760	-58.74	1.28	3	12.16	-47.86	-13	34.86	V
5640	-50.90	1.72	3	12.62	-40.00	-13	27.00	H
5640	-54.20	1.72	3	12.62	-43.30	-13	30.30	V

LTE FDD Band 2_Channel Bandwidth 10MHz_QPSK_High Channel

Frequency (MHz)	P _{Mea} (dBm)	P _{cl} (dB)	Diatance	G _a Antenna Gain(dB)	Peak EIRP (dBm)	Limit (dBm)	Margin (dB)	Polarization
3810	-57.63	1.29	3	12.21	-46.71	-13	33.71	H
3810	-58.01	1.29	3	12.21	-47.09	-13	34.09	V
5715	-50.71	1.73	3	12.66	-39.78	-13	26.78	H
5715	-53.80	1.73	3	12.66	-42.87	-13	29.87	V

*LTE FDD Band 4_Channel Bandwidth 10MHz_QPSK_Low Channel*

Frequency (MHz)	P _{Mea} (dBm)	P _{cl} (dB)	Diatance	G _a Antenna Gain(dB)	Peak EIRP (dBm)	Limit (dBm)	Margin (dB)	Polarization
3430	-54.07	1.2	3	11.83	-43.44	-13	30.44	H
3430	-57.14	1.2	3	11.83	-46.51	-13	33.51	V
5145	-51.01	1.6	3	12.37	-40.24	-13	27.24	H
5145	-55.15	1.6	3	12.37	-44.38	-13	31.38	V

LTE FDD Band 4_Channel Bandwidth 10MHz_QPSK_Middle Channel

Frequency (MHz)	P _{Mea} (dBm)	P _{cl} (dB)	Diatance	G _a Antenna Gain(dB)	Peak EIRP (dBm)	Limit (dBm)	Margin (dB)	Polarization
3465	-53.74	1.21	3	11.86	-43.09	-13	30.09	H
3465	-56.77	1.21	3	11.86	-46.12	-13	33.12	V
5197.5	-47.96	1.61	3	12.4	-37.17	-13	24.17	H
5197.5	-56.13	1.61	3	12.4	-45.34	-13	32.34	V

LTE FDD Band 4_Channel Bandwidth 10MHz_QPSK_High Channel

Frequency (MHz)	P _{Mea} (dBm)	P _{cl} (dB)	Diatance	G _a Antenna Gain(dB)	Peak EIRP (dBm)	Limit (dBm)	Margin (dB)	Polarization
3500	-58.08	1.22	3	11.9	-47.40	-13	34.40	H
3500	-57.69	1.22	3	11.9	-47.01	-13	34.01	V
5250	-49.68	1.62	3	12.42	-38.88	-13	25.88	H
5250	-58.48	1.62	3	12.42	-47.68	-13	34.68	V

*LTE FDD Band 5_Channel Bandwidth 1.4MHz_QPSK_Low Channel*

Frequency (MHz)	P _{Mea} (dBm)	P _{cl} (dB)	Diatance	G _a Antenna Gain(dB)	Peak EIRP (dBm)	Limit (dBm)	Margin (dB)	Polarization
1649.4	-51.46	0.83	3	8.59	-43.70	-13	30.70	H
1649.4	-54.50	0.83	3	8.59	-46.74	-13	33.74	V
2474.1	-51.61	0.99	3	10.72	-41.88	-13	28.88	H
2474.1	-52.06	0.99	3	10.72	-42.33	-13	29.33	V

LTE FDD Band 5_Channel Bandwidth 1.4MHz_QPSK_Middle Channel

Frequency (MHz)	P _{Mea} (dBm)	P _{cl} (dB)	Diatance	G _a Antenna Gain(dB)	Peak EIRP (dBm)	Limit (dBm)	Margin (dB)	Polarization
1673	-53.17	0.83	3	8.69	-45.31	-13	32.31	H
1673	-51.97	0.83	3	8.69	-44.11	-13	31.11	V
2509.5	-47.40	1	3	10.76	-37.64	-13	24.64	H
2509.5	-55.94	1	3	10.76	-46.18	-13	33.18	V

LTE FDD Band 5_Channel Bandwidth 1.4MHz_QPSK_High Channel

Frequency (MHz)	P _{Mea} (dBm)	P _{cl} (dB)	Diatance	G _a Antenna Gain(dB)	Peak EIRP (dBm)	Limit (dBm)	Margin (dB)	Polarization
1696.6	-51.54	0.84	3	8.8	-43.58	-13	30.58	H
1696.6	-54.39	0.84	3	8.8	-46.43	-13	33.43	V
2544.9	-48.74	1.01	3	10.81	-38.94	-13	25.94	H
2544.9	-55.67	1.01	3	10.81	-45.87	-13	32.87	V

*LTE FDD Band 12_Channel Bandwidth 3MHz_QPSK_Low Channel*

Frequency (MHz)	P _{Mea} (dBm)	P _{cl} (dB)	Diatance	G _a Antenna Gain(dB)	Peak EIRP (dBm)	Limit (dBm)	Margin (dB)	Polarization
1401	-50.49	0.78	3	7.52	-43.75	-13	30.75	H
1401	-49.48	0.78	3	7.52	-42.74	-13	29.74	V
2101.5	-51.47	0.92	3	10.23	-42.16	-13	29.16	H
2101.5	-57.16	0.92	3	10.23	-47.85	-13	34.85	V

LTE FDD Band 12_Channel Bandwidth 3MHz_QPSK_Middle Channel

Frequency (MHz)	P _{Mea} (dBm)	P _{cl} (dB)	Diatance	G _a Antenna Gain(dB)	Peak EIRP (dBm)	Limit (dBm)	Margin (dB)	Polarization
1415	-49.68	0.78	3	7.58	-42.88	-13	29.88	H
1415	-53.55	0.78	3	7.58	-46.75	-13	33.75	V
2122.5	-50.37	0.92	3	10.26	-41.03	-13	28.03	H
2122.5	-57.05	0.92	3	10.26	-47.71	-13	34.71	V

LTE FDD Band 12_Channel Bandwidth 3MHz_QPSK_High Channel

Frequency (MHz)	P _{Mea} (dBm)	P _{cl} (dB)	Diatance	G _a Antenna Gain(dB)	Peak EIRP (dBm)	Limit (dBm)	Margin (dB)	Polarization
1429	-50.41	0.79	3	7.64	-43.56	-13	30.56	H
1429	-50.16	0.79	3	7.64	-43.31	-13	30.31	V
2143.5	-46.03	0.93	3	10.29	-36.67	-13	23.67	H
2143.5	-58.44	0.93	3	10.29	-49.08	-13	36.08	V

*LTE FDD Band 13_Channel Bandwidth 5MHz_QPSK_Low Channel*

Frequency (MHz)	P _{Mea} (dBm)	P _{cl} (dB)	Diatance	G _a Antenna Gain(dB)	Peak EIRP (dBm)	Limit (dBm)	Margin (dB)	Polarization
1559	-49.57	0.81	3	8.2	-42.18	-40	2.18	H
1559	-53.19	0.81	3	8.2	-45.80	-40	5.80	V
2338.5	-49.68	0.97	3	10.54	-40.11	-13	27.11	H
2338.5	-52.35	0.97	3	10.54	-42.78	-13	29.78	V

LTE FDD Band 13_Channel Bandwidth 5MHz_QPSK_Middle Channel

Frequency (MHz)	P _{Mea} (dBm)	P _{cl} (dB)	Diatance	G _a Antenna Gain(dB)	Peak EIRP (dBm)	Limit (dBm)	Margin (dB)	Polarization
1564	-50.56	0.81	3	8.23	-43.14	-40	3.14	H
1564	-53.00	0.81	3	8.23	-45.58	-40	5.58	V
2346	-50.03	0.97	3	10.55	-40.45	-13	27.45	H
2346	-56.66	0.97	3	10.55	-47.08	-13	34.08	V

LTE FDD Band 13_Channel Bandwidth 5MHz_QPSK_High Channel

Frequency (MHz)	P _{Mea} (dBm)	P _{cl} (dB)	Diatance	G _a Antenna Gain(dB)	Peak EIRP (dBm)	Limit (dBm)	Margin (dB)	Polarization
1569	-52.46	0.81	3	8.25	-45.02	-40	5.02	H
1569	-51.85	0.81	3	8.25	-44.41	-40	4.41	V
2353.5	-51.85	0.97	3	10.56	-42.26	-13	29.26	H
2353.5	-58.95	0.97	3	10.56	-49.36	-13	36.36	V

*LTE FDD Band 25_Channel Bandwidth 1.4MHz_QPSK_Low Channel*

Frequency (MHz)	P _{Mea} (dBm)	P _{cl} (dB)	Diatance	G _a Antenna Gain(dB)	Peak EIRP (dBm)	Limit (dBm)	Margin (dB)	Polarization
3701.4	-54.04	1.26	3	12.1	-43.20	-13	30.20	H
3701.4	-56.51	1.26	3	12.1	-45.67	-13	32.67	V
5552.1	-49.65	1.7	3	12.58	-38.77	-13	25.77	H
5552.1	-55.45	1.7	3	12.58	-44.57	-13	31.57	V

LTE FDD Band 25_Channel Bandwidth 1.4MHz_QPSK_Middle Channel

Frequency (MHz)	P _{Mea} (dBm)	P _{cl} (dB)	Diatance	G _a Antenna Gain(dB)	Peak EIRP (dBm)	Limit (dBm)	Margin (dB)	Polarization
3765	-56.55	1.28	3	12.16	-45.67	-13	32.67	H
3765	-58.21	1.28	3	12.16	-47.33	-13	34.33	V
5647.5	-53.05	1.72	3	12.62	-42.15	-13	29.15	H
5647.5	-60.19	1.72	3	12.62	-49.29	-13	36.29	V

LTE FDD Band 25_Channel Bandwidth 1.4MHz_QPSK_High Channel

Frequency (MHz)	P _{Mea} (dBm)	P _{cl} (dB)	Diatance	G _a Antenna Gain(dB)	Peak EIRP (dBm)	Limit (dBm)	Margin (dB)	Polarization
3828.6	-58.84	1.29	3	12.23	-47.90	-13	34.90	H
3828.6	-57.63	1.29	3	12.23	-46.69	-13	33.69	V
5742.9	-52.81	1.74	3	12.67	-41.88	-13	28.88	H
5742.9	-56.09	1.74	3	12.67	-45.16	-13	32.16	V

*LTE FDD Band 26A_Channel Bandwidth 3MHz_QPSK_ Low Channel*

Frequency (MHz)	P _{Mea} (dBm)	P _{cl} (dB)	Diatance	G _a Antenna Gain(dB)	Peak EIRP (dBm)	Limit (dBm)	Margin (dB)	Polarization
1631	-50.84	0.83	3	8.51	-43.16	-13	30.16	H
1631	-53.37	0.83	3	8.51	-45.69	-13	32.69	V
2446.5	-51.45	0.99	3	10.68	-41.76	-13	28.76	H
2446.5	-59.44	0.99	3	10.68	-49.75	-13	36.75	V

LTE FDD Band 26A_Channel Bandwidth 3MHz_QPSK_ Middle Channel

Frequency (MHz)	P _{Mea} (dBm)	P _{cl} (dB)	Diatance	G _a Antenna Gain(dB)	Peak EIRP (dBm)	Limit (dBm)	Margin (dB)	Polarization
1638	-50.23	0.83	3	8.54	-42.52	-13	29.52	H
1638	-54.25	0.83	3	8.54	-46.54	-13	33.54	V
2457	-51.27	0.99	3	10.69	-41.57	-13	28.57	H
2457	-53.83	0.99	3	10.69	-44.13	-13	31.13	V

LTE FDD Band 26A_Channel Bandwidth 3MHz_QPSK_ High Channel

Frequency (MHz)	P _{Mea} (dBm)	P _{cl} (dB)	Diatance	G _a Antenna Gain(dB)	Peak EIRP (dBm)	Limit (dBm)	Margin (dB)	Polarization
1645	-53.57	0.83	3	8.57	-45.83	-13	32.83	H
1645	-55.51	0.83	3	8.57	-47.77	-13	34.77	V
2467.5	-51.44	0.99	3	10.71	-41.72	-13	28.72	H
2467.5	-53.64	0.99	3	10.71	-43.92	-13	30.92	V

*LTE FDD Band 26B_Channel Bandwidth 3MHz_QPSK_Low Channel*

Frequency (MHz)	P _{Mea} (dBm)	P _{cl} (dB)	Diatance	G _a Antenna Gain(dB)	Peak EIRP (dBm)	Limit (dBm)	Margin (dB)	Polarization
1651	-50.66	0.83	3	8.6	-42.89	-13	29.89	H
1651	-53.67	0.83	3	8.6	-45.90	-13	32.90	V
2476.5	-50.78	1	3	10.72	-41.06	-13	28.06	H
2476.5	-56.80	1	3	10.72	-47.08	-13	34.08	V

LTE FDD Band 26B_Channel Bandwidth 3MHz_QPSK_Middle Channel

Frequency (MHz)	P _{Mea} (dBm)	P _{cl} (dB)	Diatance	G _a Antenna Gain(dB)	Peak EIRP (dBm)	Limit (dBm)	Margin (dB)	Polarization
1673	-52.91	0.83	3	8.69	-45.05	-13	32.05	H
1673	-53.87	0.83	3	8.69	-46.01	-13	33.01	V
2509.5	-52.75	1	3	10.76	-42.99	-13	29.99	H
2509.5	-59.39	1	3	10.76	-49.63	-13	36.63	V

LTE FDD Band 26B_Channel Bandwidth 3MHz_QPSK_High Channel

Frequency (MHz)	P _{Mea} (dBm)	P _{cl} (dB)	Diatance	G _a Antenna Gain(dB)	Peak EIRP (dBm)	Limit (dBm)	Margin (dB)	Polarization
1695	-55.00	0.84	3	8.79	-47.05	-13	34.05	H
1695	-52.48	0.84	3	8.79	-44.53	-13	31.53	V
2542.5	-49.67	1.01	3	10.81	-39.87	-13	26.87	H
2542.5	-53.67	1.01	3	10.81	-43.87	-13	30.87	V



5 Test Set up Photos of the EUT

Please refer to separated files for Test Setup Photos of the EUT.

6 External Photos of the EUT

Please refer to separated files for External Photos of the EUT.

7 Internal Photos of the EUT

Please refer to separated files for Internal Photos of the EUT.

*****End of Report*****