

## **QUICK INSTALLATION GUIDE DIW585 UHD Entel**

## SECURITY INSTRUCTIONS

1. Place the product inside to protect against lightning, rain and sun rays.
2. Keep the product in a horizontal position.
3. Do not put heavy objects on top of the product.
4. Use only the power adapter provided. Never connect your product to an outlet damaged or defective to avoid suffering a discharge electric
5. Do not use damaged power cords or plugs.
6. Avoid touching the power adapter with your hands wet.
7. Do not disassemble or modify the product yourself to avoid damage.
8. Keep the product away from any heat source to avoid damage.
9. The device must be kept in a dry place and area well ventilated, away from any element that can cause fire or electric shock.
10. Use the product exclusively with the following environmental conditions:
  - Ambient temperature: between 0 ° C and + 40 ° C
  - Ambient humidity: between 10% and 80%
  - Altitude: 4400 meters maximum.
11. Turn off and unplug the device immediately if the power adapter or the device emits smoke.
12. Unplug the power adapter from the device when not in use for long periods of time
13. In case of thunderstorms, we advise you to remove the power supply.

14. Do not leave children without care in front of the product. Children underestimate the danger associated with electrical appliances.

15. Only personnel authorized by the manufacturer may perform interventions on the decoder. Failure to comply with security measures may result in the cancellation of the guarantee.

16. Batteries should not be exposed to sources of extreme heat such as sun, fire or similar sources. It is recommended to replace the batteries supplied for equivalent types only.

17. Batteries should be disposed of at appropriate recycling points and not thrown away with household waste.

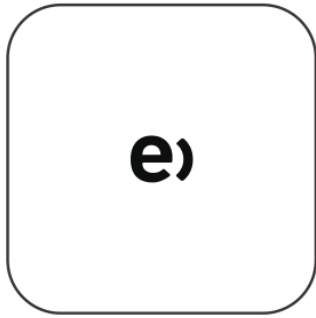
18. This equipment generates radiofrequency between 2.4 GHz and 5 GHz when it is horizontal. To reduce exposure, a minimum distance of 20 cm between the product and the body is recommended.

19. The identification tag is located under the decoder.

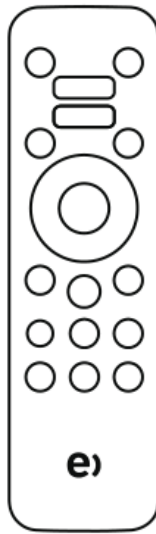
20. Connect it directly to the network with the cables provided: The use of an extension cable is not recommended.

21. The identification plate is located on the bottom of the machine.

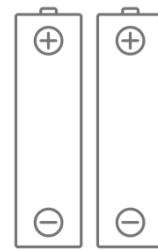
## LIST OF ACCESSORIES



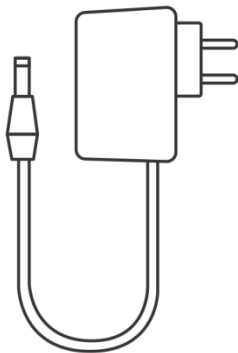
Decoder x1



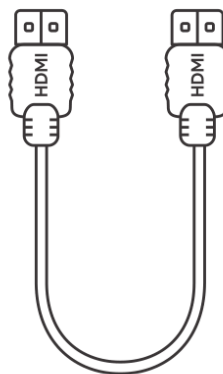
Control Remoto x1



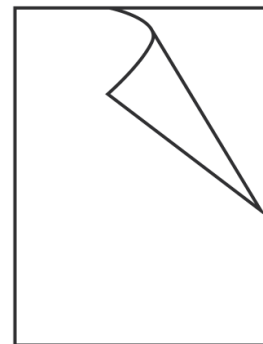
AAA batteries x2



Power Source x1



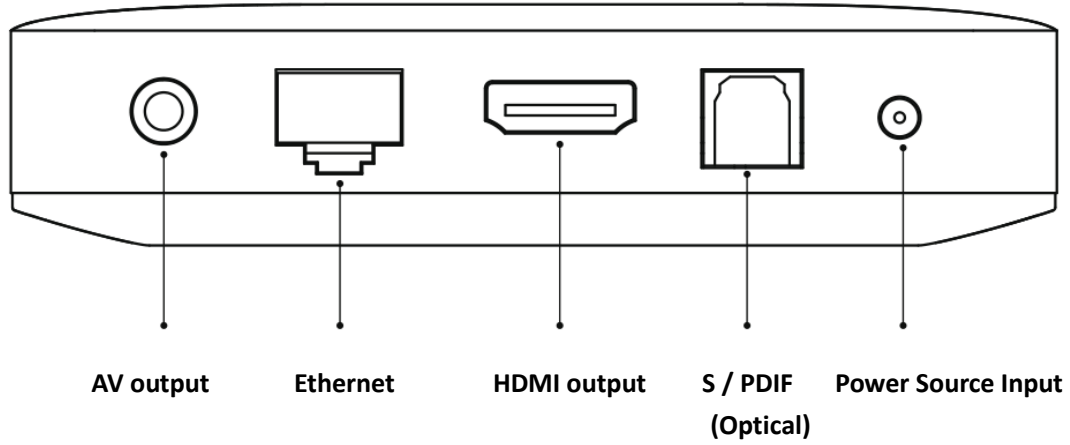
HDMI cable x1



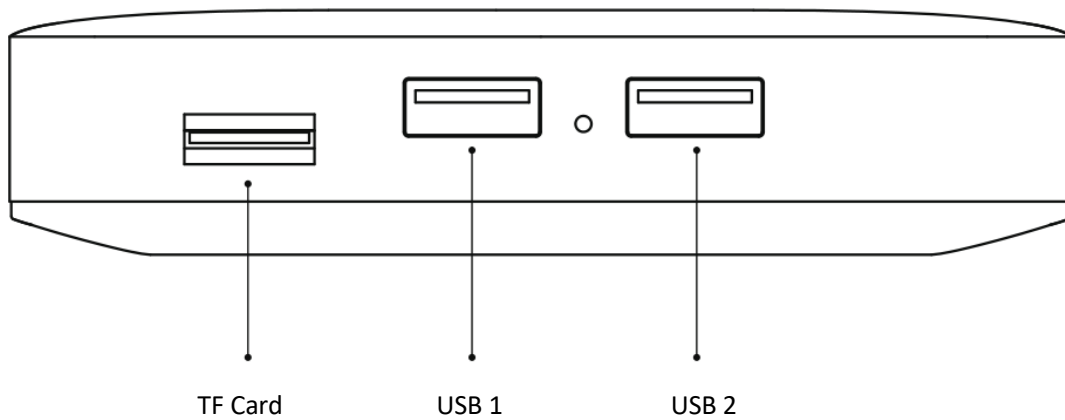
User Manual x1

## HARDWARE STRUCTURE

### Rear panel



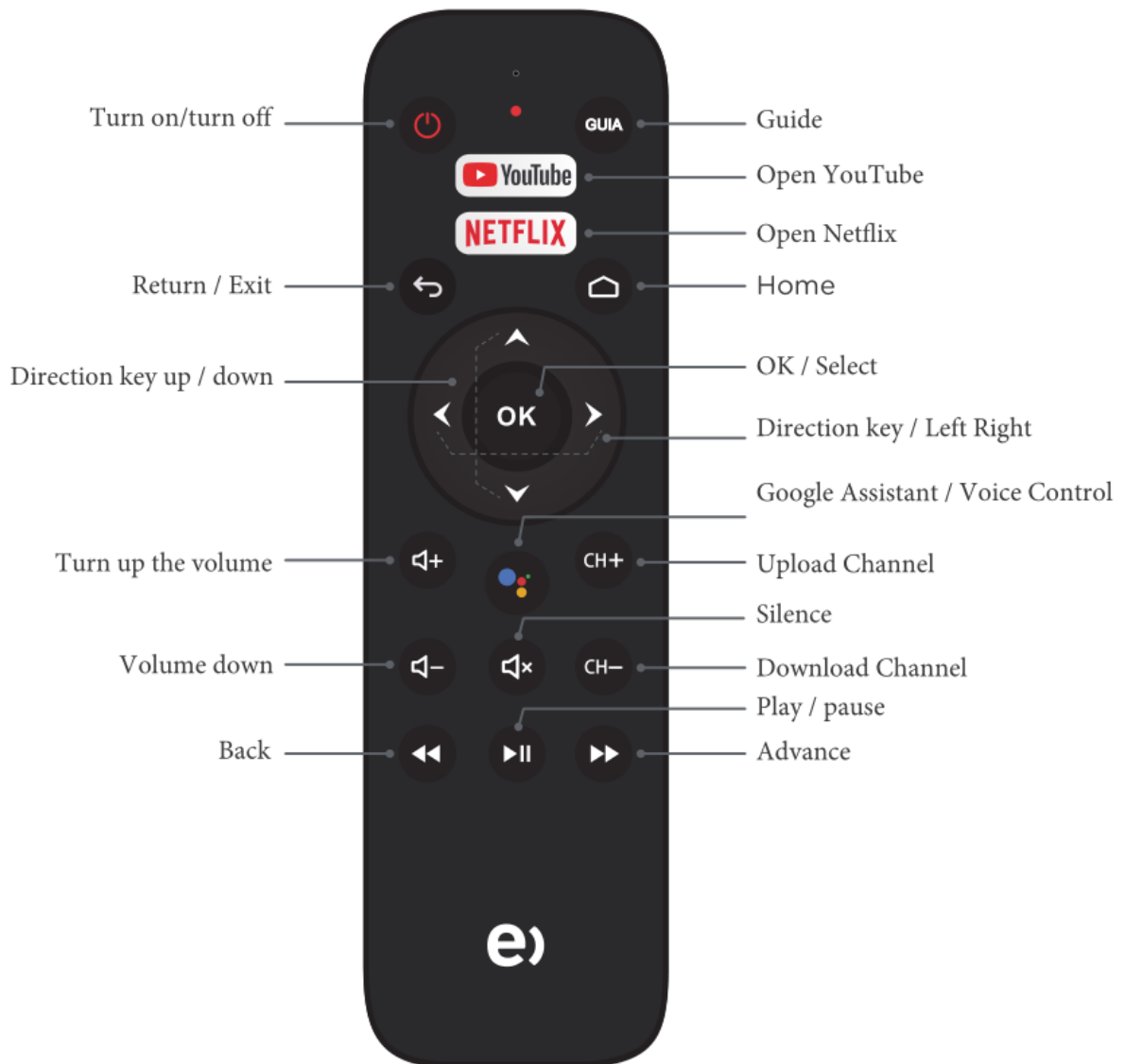
### Side panel



### Note:

Blue light indicates in power mode and Red light indicates in standby mode.

## REMOTE CONTROL



## INSTRUCTIONS

**1. Indicator Light:** press any key to make the light flash; If battery replacement is necessary, this indicator light will flash rapidly.

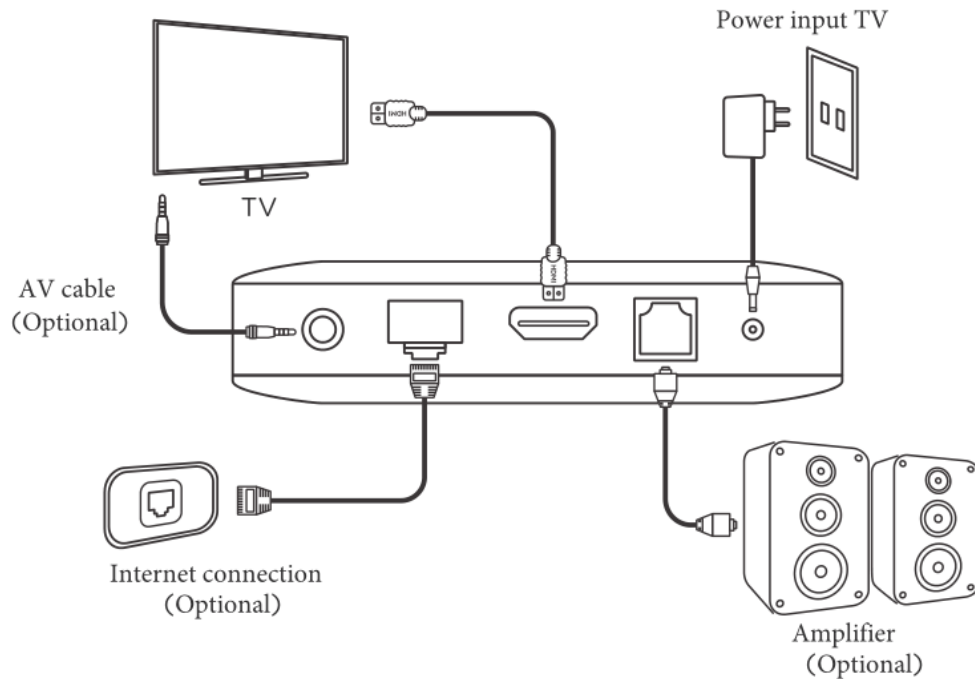
**2. Bluetooth pairing:** press the “OK” + keys "Volume Down" together on your remote control for 10 seconds.

**3. Voice Search:** Press the “Google Assistant” button on your remote control and speak clearly to access entertainment, control smart devices, get on-screen responses and more using your voice.

**Note:** The functions of the remote control may be different for different applications.

## SYSTEM CONNECTION

Please consult the images and instructions below to connect your decoder



### Step1: TV connection

Connect the HDMI or AV cable to the HDMI port or the AV port of the decoder to the TV.

### Step2: Connection to electric power

Connect the power adapter to the decoder and then plug it into the power.

### Step3: Network Connection

Ethernet Cable Option: Connect the decoder's Ethernet cable and the other end to the ethernet port of your nearest internet connection.

WiFi option: Enter your home's WiFi credentials in the set-up section of the decoder.

**Note:** Make sure your TV is on the correct signal input (HDMI or AV).

## TECHNICAL SPECIFICATIONS

<b>CPU</b>	<b>ARM Quad 64-bit Cortex-A53 up to 1.5GHz</b>
<b>Android OS</b>	<b>Android9.0</b>
<b>Video output</b>	<b>HDMI2.0b, AV</b>
<b>Audio output</b>	<b>Optical</b>
<b>Audio format</b>	<b>AAC, WAV, MP3 and other audio formats</b>
<b>Video format</b>	<b>H.265 10-bit 4K * 2K @ 60fps, VP9 4K * 2K @ 60fps, H.264, MPGE, MKV, MP4 and other video formats</b>
<b>Photo format</b>	<b>JPG, BMP, PNG and other image formats</b>
<b>Net</b>	<b>Wi-Fi network 2.4G / 5G Hz 802.11a / b / g / n / ac</b>
	<b>RJ45 10M / 100M adaptive interface</b>
<b>Operating temperature</b>	<b>0°C~40°C</b>
<b>Power supply</b>	<b>Input: AC100-240V 50/60Hz</b>
	<b>Output: DC 5V/2A</b>
<b>Power consumption</b>	<b>≤10W</b>



## PROBLEM SOLVING

Issue	Possible Cause	Solution
After power on, there is no picture	The power cord is not properly connected the plug is without power	Plug in power supply and ensure connection, ensure normal voltage at outlet
TV with images without audio	HDMI or AV cable is not connected properly	Reconnect or replace HDMI or AV cable
	Decoder is in Silent mode	Please press "Mute" button to restore audio
	Audio settings are not appropriate.	Please enter the menu settings, video settings, select the appropriate sound, channel and language
	The volume is too low	Increase the volume to the decoder and TV separately
Fail to connect to the network	The ethernet cable connection is not connected properly	Reconnect or replace ethernet cable
	Wi-Fi off or the signal is too weak	Please reset Wi-Fi or set decoder position. If it's not possible, connect it with ethernet cable
Remote Control Failure	The remote control is not in the right direction	Point to the front panel of the decoder and try again
	The remote control has low batteries	Please change the batteries
	The remote control is broken	Please contact Entel
	Remote Control does not work	Pair the remote control with the decoder via Bluetooth

**Google, Android and other brands are trademarks of Google Inc.**

**The terms HDMI and HDMI High-Definition Multimedia Interface, and the HDMI logo are trademarks or registered trademarks of HDMI Licensing Administrator, Inc.**

**Manufactured with permission from Dolby Laboratories. Dolby, Dolby Audio and the double-D symbol are trademarks of Dolby Laboratories.**

**Wi-Fi is a registered trademark of the Wi-Fi Alliance.**

**Bluetooth is a registered trademark of Bluetooth SIG, Inc.**

**This product is licensed under the license of the portfolio of AVC patents for the personal and non-commercial use of a consumer to: (i) encode video in accordance with the AVC standard ("AVC-video") and / or (ii) decode AVC video. That was coded for a consumer engaged in a personal and non-commercial activity and / or was obtained from a licensed video provider to provide AVC-video. No license is granted nor will it be used for any other use. For additional information on MPEG LA, LLC, please see <http://www.mpegla.com>.**

**This product contains technology subject to certain intellectual property rights of Microsoft. The use or distribution of this technology outside of this product is prohibited without the corresponding Microsoft license (s). Content owners use Microsoft PlayReady™ content access technology to protect their intellectual property, including copyrighted content. This device uses PlayReady technology to access PlayReady protected content and / or WMDRM protected content.**

**If the device does not correctly apply restrictions on the use of content, content owners may require Microsoft to eliminate the ability of the device to consume content protected by PlayReady. Revocation of the consumption of protected content should not affect unprotected content or content protected by other access technologies. Content owners may ask you to update PlayReady to access content protected by PlayReady.**

**All other brands and logos are trademarks or registered trademarks of their respective owners.**

## **FCC Statement**

**This equipment has been tested and found to comply with the limits for a Class B digital device, pursuant to Part 15 of the FCC Rules. These limits are designed to provide reasonable protection against harmful interference in a residential installation. This equipment generates uses and can radiate radio frequency energy and, if not installed and used in accordance with the instructions, may cause harmful interference to radio communications. However, there is no guarantee that interference will not occur in a particular installation. If this equipment does cause harmful interference to radio or television reception, which can be determined by turning the equipment of and on, the user is encouraged to try to correct the interference by one or more of the following measures:**

- Reorient or relocate the receiving antenna.**
- Increase the separation between the equipment and receiver.**
- Connect the equipment into an outlet on a circuit diferent from that to which the receiver is connected.**
- Consult the dealer or an experienced radio/TV technician for help.**

**Changes or modifications not expressly approved by the party responsible for compliance could void the user's authority to operate the equipment.**

**The device is going to be operated in 5150~5250MHz frequency range. It is restricted indoor environment only.**

**FCC RF Radiation Exposure Statement Caution:**

**To maintain compliance with the FCC RF exposure guidelines, place the product at least 20cm from nearby persons.**