



**METRO
VSRP-800
Dual Bluetooth® Suitcase Turntable**



Instruction Manual

Please read carefully before use and keep for future reference

WARNING



CAUTION: To reduce the risk of fire or electric shock, do not expose this appliance to rain or moisture.



WARNING: Invisible laser radiation when open and interlock failed or defeated. Avoid direct exposure to laser beam.



This equipment is a Class II or double insulated electrical appliance. It has been designed in such a way that it does not require a safety connection to electrical earth.



Correct Disposal of this product. This marking indicates that this product should not be disposed with other household wastes throughout the EU. To prevent possible harm to the environment or human health from uncontrolled waste disposal, recycle it responsibly to promote the sustainable reuse of material resources. To return your used device, please use the return and collection systems or contact the retailer where the product was purchased. They can take this product for environmental safe recycling.

Important Safety Instructions

1. Read these instructions – All the safety and operating instructions should be read before this product is operated.
2. Keep these instructions – The safety and operating instructions should be retained for future reference.
3. Heed all warnings – All warnings on the appliance and in the operating instructions should be adhered to.
4. Follow all instructions – All operating and use instructions should be followed.
5. Do not use this apparatus near water – The appliance should not be used near water or moisture – for example, in a wet basement or near a swimming pool, and the like.
6. Clean only with a dry cloth.
7. Do not block any ventilation openings. Install in accordance with the manufacturer's instructions.
8. Do not install near any heat sources such as radiators, heat registers, stoves, or other apparatus (including amplifiers) that produce heat.
9. Protect the power cord from being walked on or pinched particularly at the plugs, power outlets, and at the point where they exit from the apparatus.
10. Only use attachments/accessories specified by the manufacturer.
11. Use only with the cart, stand, tripod, bracket, or table specified by the manufacturer, or sold with the apparatus. When a cart or rack is used, use caution when moving the cart/apparatus combination to avoid injury from tip-over.
12. Unplug the apparatus during lightning storms or when unused for long periods of time.
13. Refer all servicing to qualified personnel. Servicing is required when the apparatus has been damaged in any way, such as power supply cord or plug is damaged, liquid has been spilled or objects have fallen into the apparatus has been exposed to rain or moisture, does not operate normally, or has been dropped.
14. The mains plug is used as disconnect device, the disconnect device shall remain readily operable.
15. **WARNING:** To reduce the risk of fire or electric shock, do not expose this apparatus to rain or moisture. The apparatus shall not be exposed to dripping or splashing and that no objects filled with liquids, such as vases, shall not be placed on apparatus.
16. The use of the equipment in moderate climate.
17. The ventilation should not be impeded by covering the ventilation openings with items, such as newspapers, tablecloths, curtains, etc.
18. Do not place open flame sources, such as lighted candles, on the apparatus.
19. The symbol with ~ indicates AC voltage.
20. **CAUTION,** These servicing instructions are for use by qualified service personnel only. To reduce the risk of electric shock do not perform any servicing other than that contained in the operating instructions unless you are qualified to do so.



This lightning flash with arrowhead symbol within an equilateral triangle is intended to alert the user to the presence of non-insulated "dangerous voltage" within the product's enclosure that may be of sufficient magnitude to constitute a risk of electric shock. Warning: To reduce the risk of electric shock, do not remove cover (or back) as there are no user-serviceable parts inside. Refer servicing to qualified personnel. The exclamation point within and equilateral triangle is intended to alert the user to the presence of important operating and maintenance instructions in the literature accompanying the appliance.



TABLE OF CONTENTS

FEATURES.....	3
SPECIFICATIONS.....	3
PRODUCT OVERVIEW.....	4
SET UP & BASIC OPERATION.....	5
MAINTENANCE.....	6
FCC NOTICE.....	7
CAUTION ON MODIFICATIONS.....	8
SUPPORT.....	8

FEATURES

The Metro Suitcase Record Player has a full assortment of features at a popular, entry level price point! The 3-speed turntable will play 33 1/3, 45, and 78 RPM records. The Dual Bluetooth Feature allows you to stream music from another source through the Metro's built-in stereo speakers or stream your vinyl albums to any external Bluetooth speaker. With a convenient carrying handle and latches, the Metro is ready to travel to where ever the Music goes. The 3.5mm Auxiliary & Headphone input all for even further playback options.

- 3-Speed record player will play 33 1/3, 45, 78 RPM records
- Bluetooth® In connectivity allows you to stream music from another source up to 33 feet away
- Bluetooth® Out Connectivity allows you to stream vinyl playback through any external Bluetooth Speaker
- Premium Carrying Handle and Metal Hardware allows for portability while giving the Metro a great look
- Includes a 3.5mm Aux input & Headphone Jack for additional connectivity options
- Red Vinyl Finish with Silver Hardware & Black Carrying Handle
- Built in Stereo Speakers for playback convenience

SPECIFICATIONS

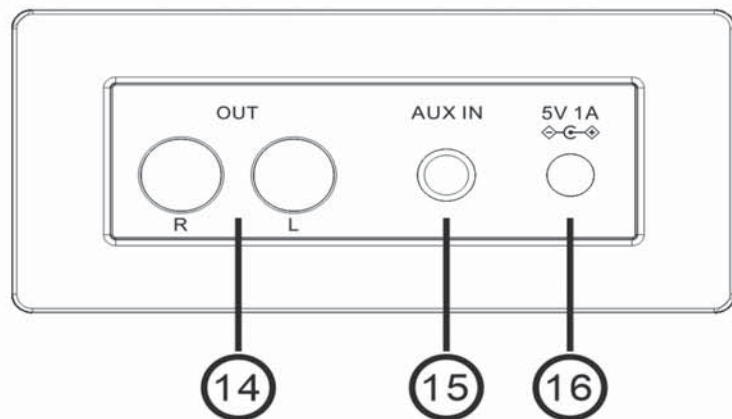
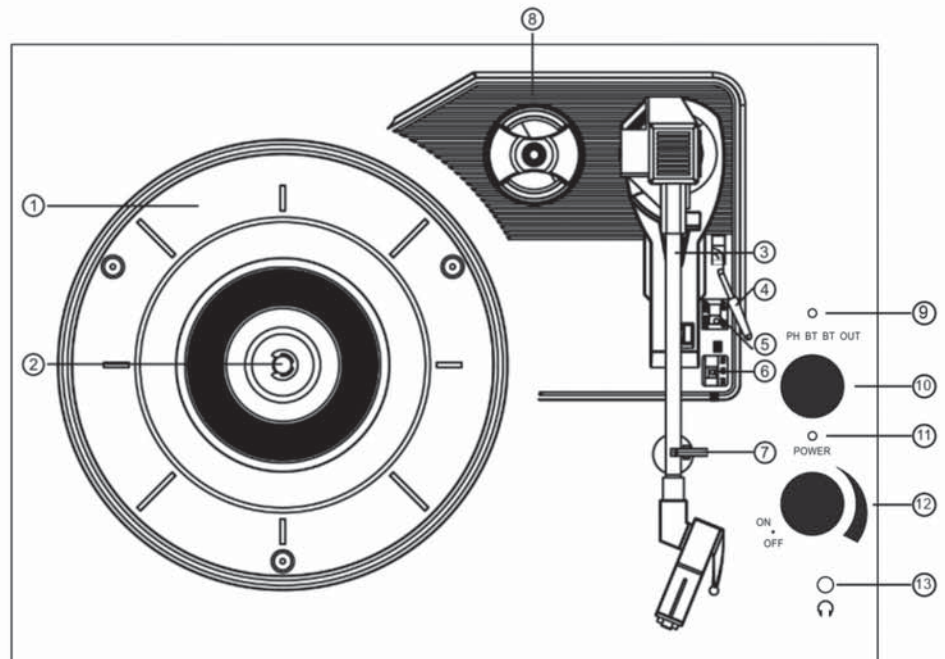
Product Name	METRO (Dual Bluetooth Suitcase Turntable)
Turntable Speed	33 1/3, 45, 78 RPM
Bluetooth® Version	Bluetooth® V5.0
Bluetooth® Frequency	2.40 GHz
Bluetooth® Operating Distance	Up to 33 Feet (10 Meters)*
Input	Aux In
Output	Line Out
Built-in Speakers	2" x 2
Speaker Output Power	2W x 2
Power Source	AC/DC 100-240V 50-60Hz 5V/1A
Accessories Included	UL Approved Power Adaptor, User Manual, Quick Set Up Guide, Additional Stylus

*Distance may vary depending on any objects or interference between devices.

SPECIFICATIONS AND ACCESSORIES ARE SUBJECT TO CHANGE WITHOUT NOTICE

PRODUCT OVERVIEW

1. Turntable Platter
2. Turutable Shaft
3. Tonearm
4. Tonearm Lever
5. Auto-stop Switch
6. Speed Switch
7. Hold Down Clip
8. 45 RPM Adaptor
9. Mode Indicator
10. Mode Knob
11. Power Indicator
12. Power/Volume Knob
13. Headphone Jack
14. LINE OUT Port
15. AUX IN Jack
16. DC Power Jack



SET UP & BASIC OPERATION

Power Connection

Ensure that the voltage of your home corresponds to the operating voltage of the unit. Your unit is ready to be connected to a 5V DC adaptor.

Playing a Record

1. Place the record of your choice on the turntable. If required, use the 45 RPM adaptor on the record spindle.
2. Choose the desired playing speed using the speed selection switch (33.3, 45 or 78 RPM).
3. Turn on the Rotary Power Switch. Note that this also controls volume.
4. Release the tone arm lock.
5. Raise the arm with your hand lightly.
6. Place the stylus vertically over the first track of the record, the turntable will start turning automatically.
7. Put down the stylus slowly on to the record to play.
8. When a record comes to the end, the turntable will stop automatically if the auto-stop switch is in the ON position. If the switch is in the OFF position the turntable will keep revolving until the tone arm is returned to the tone arm rest.
9. Lift up the tone arm and put it on the rest when finished.
10. Replace the protective cap on the stylus and close the tone arm lock.
11. Turn off power.

Connect to External Audio System

You can listen to your new turntable using the built-in speakers but you may wish to connect it to your existing audio system. Connect the audio plugs to the Line input on your mixer or amplifier using an RCA cable (not supplied).

Connect a Bluetooth® Device to the Turntable

1. Switch the knob to Bluetooth® mode. A blue LED will begin flashing to indicate the turntable is in pairing mode.
2. Search for the turntable in the list of Bluetooth® devices named "VICTOR VSRP-800" and connect.
3. A chime and a steady blue LED light will indicate you have paired with the turntable successfully.

Connect the Turntable to an External Bluetooth® Speaker

1. Turn on pairing mode on your Bluetooth® speaker.
2. Turn the Bluetooth® knob to the "BT Out" position on the turntable. The LED light flashes to indicate the device is searching for an available Bluetooth® speaker.
3. When the turntable connects to the Bluetooth® speaker, the LED light stays lit. After the speaker is paired successfully, turntable audio signal can be transmitted.
4. Adjust the volume on your unit and device to desired level.

MAINTENANCE

Maintaining the Turntable Needle (“Stylus”)

To extend the life of your stylus, dust the stylus occasionally with a very soft brush dipped in rubbing alcohol, brushing from the back to the front of the cartridge.

Maintaining Vinyl Records

To maximize sound quality and extend the life of your vinyl records, it is recommended you clean your records with an anti-static cloth after every use.

Transporting the Turntable

1. Place the protective cap on the stylus.
2. Put the rest clip into the pick-up arm.
3. Ensure the case is closed and the latch is secure.

It's suggested to replace the stylus after 400 hours of use. Please follow the steps below to change the stylus:

1. Lift the TONE ARM off the TONE ARM LOCK.
2. At the front end of the tone arm, place the tip of your fingernail between the red stylus holder and the black cartridge housing as shown. Press down on the red stylus holder until it separates from the cartridge housing.
3. Completely remove the red stylus holder with worn stylus and discard it.
4. Place the new red stylus holder with stylus under the cartridge housing. First, press upward on the backside of the stylus holder, and then press up on the front edge of the stylus holder until it snaps into place on the cartridge housing.

FCC NOTICE

This device complies with Part 15 of the FCC Rules. Operation is subject to the following two conditions: (1) this device may not cause harmful interference, and (2) this device must accept any interference received, including that may cause undesired operation.

NOTE: This equipment has been tested and found to comply with the limits for a Class B digital device, pursuant to Part 15 of the FCC Rules. These limits are designed to provide reasonable protection against harmful interference in a residential installation. This equipment generates, uses, and can radiate radio frequency energy and, if not installed and used in accordance with the instructions, may cause harmful interference to radio communications. However, there is no guarantee that interference will not occur in a particular installation. If this equipment does cause harmful interference to radio or television reception, which can be determined by turning the equipment on and off, the user is encouraged to try to correct the interference by one or more of the following measures:

- Reorient or relocate the receiving antenna.
- Increase the separation between the equipment and receiver.
- Connect the equipment into an outlet on a circuit different from that to which the receiver is connected.
- Consult the dealer or an experienced radio/TV technician for help.

WARNING: Any changes or modifications not expressly approved by the party responsible for compliance could void the user's authority to operate this equipment.

The device must not be colocated or operating in conjunction with any other antenna or transmitter.

To maintain compliance with the FCC's RF exposure guidelines, place the product at least 20cm from nearby persons.

IC STATEMENT

This device complies with RSS247 of Industry Canada. Cet appareil se conforme à RSS247 de Canada d'Industrie. This device complies with Industry Canada license-exempt RSS standard(s). Operation is subject to the following two conditions: (1) this device may not cause interference, and (2) this device must accept any interference, including interference that may cause undesired operation of the device. appareils radio exempts de licence.

Son fonctionnement est sujet aux deux conditions suivantes: (1) le dispositif ne doit pas produire de brouillage préjudiciable, et (2) ce dispositif doit accepter tout brouillage reçu, y compris un brouillage susceptible de provoquer un fonctionnement indésirable.

The device must not be co-located or operating in conjunction with any other antenna or transmitter.
L'appareil ne doit pas être localisé ou fonctionner avec d'autres antennes ou transmetteurs.

This device complies with IC radiation exposure limits set forth for an uncontrolled environment.
Cet appareil est conforme aux limites d'exposition aux rayonnements de la IC établies pour un incontrôlé environnement.

The device should be installed and operated with a minimum distance of 20cm between the radiator and your body.
L'appareil doit être installé et utilisé avec une distance minimale de 20 cm entre le radiateur et votre corps.

CAUTION ON MODIFICATIONS

Any changes or modifications not expressly approved by the grantee of this device may void the authority granted by the FCC to operate this equipment. Electric and electronic equipment contains materials, components and substances that can be hazardous to your health and the environment, if the waste material (discarded electric and electronic equipment) is not handled correctly. Electric and electronic equipment is marked with the crossed out trash can symbol, seen below. This symbol signifies that electric and electronic equipment should not be disposed of with other household waste, but should be disposed of separately. All cities have established collection points, where electric and electronic equipment can either be submitted free of charge at recycling stations and other collection sites, or be collected from the households. Additional information is available at the technical department of your city.



SUPPORT

We do our best to offer high quality products to our customers. If you experience any issues or problems with your product, please contact customer support as many issues can be quickly resolved.

If you have problems with your device, please consult the instructions in this manual. Please also visit us on the web at www.naxa.com to get up to the minute news, alerts, and documentation for your device. For additional assistance, please contact Naxa Technical Support.

Naxa Technical Support

2320 East 49th St.

Vernon, CA 90058

(866) 411-6292

<http://www.naxa.com/supportcenter>

**This product has been manufactured and sold under the responsibility of NAXA ELECTRONICS INC.*

VICTOR and the DOG & GRAMOPHONE logo are trademarks used under license by NAXA ELECTRONICS INC.

Further information at www.victor-brand.com.

All other products, services, companies, trademarks, trade or product names and logos referenced herein are the property of their respective owners.



**METRO
VSPR-800**


Tocadiscos de Maleta Dual Bluetooth®



Manual de Operación

**FAVOR DE LEER EL MANUAL COMPLETAMENTE ANTES DE OPERAR ESTE PRODUCTO.
CONSERVAR EL MANUAL PARA FUTURAS REFERENCIAS**

ADVERTENCIA

	<p style="text-align: center;">PRECAUCIÓN RIESGO DE CHOQUE ELÉCTRICO, NO ABRIR</p>	
<p>El símbolo del relámpago con punta de flecha dentro de un triángulo equilátero, es diseñado para advertir al usuario de VOLTAJES PELIGROSOS no aislados dentro del aparato que pueden ser de suficiente magnitud para constituir un riesgo de choque eléctrico para las personas.</p>	<p>PRECAUCIÓN: PARA REDUCIR EL RIESGO DE CHOQUE ELÉCTRICO NO REMOVER LA CUBIERTA (O TAPA), DENTRO DE ESTE APARATO NO HAY PARTES QUE EL USUARIO PUEDA DARLE SERVICIO, EN SU CASO ACUDIR A UN CENTRO DE SERVICIO AUTORIZADO O CON PERSONAL CALIFICADO</p>	<p>El símbolo de exclamación dentro de un triángulo equilátero, es diseñado para alertar al usuario de la presencia de instrucciones importantes de operación, mantenimiento y servicio que acompañan al producto.</p>

PRECAUCION: Para reducir el riesgo de fuego o choque eléctrico, no exponer este producto al goteo o salpicadura de agua, a la lluvia o humedad. No colocar objetos con líquidos, como vasos con agua cerca o encima del producto.



ADVERTENCIA: Radiación laser invisible al abrir y liberar los seguros. Evitar la exposición directa al rayo láser



Este equipo es un aparato eléctrico Clase II o doble aislamiento. Ha sido diseñado de tal forma que no requiere una conexión de seguridad a tierra eléctrica.



Al término de la vida útil de este producto, no debe ser desechado en la basura doméstica para evitar daños al medio ambiente, en su caso acudir al centro de desechos sólidos de su localidad. La separación adecuada de los desechos ayuda a evitar posibles efectos negativos sobre la salud humana y el medio ambiente y promueve el reciclaje de los materiales que componen el producto. Informarse en su localidad sobre los organismos de eliminación de este tipo de desechos

Importantes Instrucciones de Seguridad

1. Leer las instrucciones. Deben leerse todas las instrucciones de operación y de seguridad antes de operar este producto.
2. Conservar las instrucciones. Deben conservarse las instrucciones de operación y seguridad para futuras referencias.
3. Poner atención a las advertencias. Las advertencias en el producto y las instrucciones de operación y seguridad deben de respetarse.
4. Seguir las instrucciones. Deben seguirse todas las instrucciones de uso y operación.
5. Agua y humedad. No usar este producto cerca del agua, por ejemplo, cerca de una bañera, lavabo, fregadero de cocina o de lavar, sótanos húmedos o cerca de una piscina.
6. Limpieza. Desconectar el cordón de alimentación del tomacorriente antes de darle mantenimiento o limpieza al producto. Limpiar con una tela, suave, limpia y seca, No usar limpiadores líquidos o en aerosol.
7. Ventilación. Las ranuras y aberturas en la parte posterior y posterior del gabinete son provistas para la ventilación y asegurar la buena operación del producto y protegerlo del sobrecalentamiento. No deben bloquearse o taparse estas aberturas, colocando el producto sobre una cama, sofá alfombra u otra superficie similar. El producto no debe colocarse cerca o sobre un radiador o fuentes de calor. Este producto no debe colocarse en un librero o estante que impida el flujo del aire a través de las ranuras de ventilación.
8. Calor. El producto debe colocarse lejos de fuentes de calor como radiadores, registros de calor, estufas u otros productos que producen calor (incluso amplificadores).
9. Protección del cordón de alimentación. El cordón de alimentación debe colocarse de forma tal que no exista probabilidad de pisarlo o apretarlo sobre los lugares donde será colocado o contra el producto mismo. Poner atención particular en el cordón, la clavija, el tomacorriente y en los puntos en donde estos salen del producto.
10. Accesorios. Usar solo accesorios/refacciones recomendadas por el fabricante.
11. Usar armarios, estantes o bases recomendados por el fabricante o vendidos con el producto. Cuando el producto se coloca sobre un carrito, tener cuidado al desplazarlos para evitar lesiones por caídas o tropiezos
12. Tormentas eléctricas o periodos sin uso. Desconectar este producto del tomacorriente durante tormentas eléctricas o cuando no va ser usado por un periodo largo de tiempo para protegerlo.
13. Referir todo el servicio al centro de servicio autorizado. El servicio es necesario cuando el producto se ha dañado de alguna manera, como cuando el cordón de alimentación o clavija están dañados, se ha derramado líquido o han caído objetos dentro del producto, ha estado expuesto a la lluvia o la humedad, no funciona normalmente, ha sido dañado o ha caído.
14. Si la clavija se utiliza como dispositivo de desconexión, el dispositivo de desconexión debe permanecer fácilmente operable.
15. Este producto está diseñado para operar en un clima moderado.
16. Para prevenir riesgo de fuego, no colocar el producto bajo los rayos directos del sol, cerca de fuentes de flama (velas, veladoras) u otras fuentes de calor.
17. El símbolo “~” significa que el voltaje es de corriente alterna (tomacorriente domestico).
18. **PRECAUCION:** Estas instrucciones de servicio son para uso exclusivo del personal de servicio calificado. Para reducir el riesgo de fuego o choque eléctrico, no realizar ningún servicio que no sea el contenido en las instrucciones de funcionamiento.



El símbolo del relámpago con punta de flecha dentro de un triángulo equilátero, es diseñado para advertir al usuario de VOLTAJES PELIGROSOS no aislados dentro del aparato que pueden ser de suficiente magnitud para constituir un riesgo de choque eléctrico para las personas. El símbolo de exclamación dentro de un triángulo equilátero, es diseñado para alertar al usuario de la presencia de instrucciones importantes de operación, mantenimiento y servicio que acompañan al producto.



INDICE

CARACTERISTICAS.....	3
ESPECIFICACIONES.....	3
DESCRIPCION DE PARTES.....	4
OPERACION BASICA Y AJUSTES.....	5
CUIDADO Y MANTENIMIENTO.....	6
NOTICIA FCC.....	7
DECLARACION IC.....	7
PRECAUCION SOBRE MODIFICACIONES.....	8
SOPORTE.....	8

CARACTERISTICAS

¡El tocadiscos de maleta Metro tiene una variedad completa de características a un precio popular de nivel de entrada! El tocadiscos de 3 velocidades reproducirá discos de 33 1/3, 45 y 78 rpm. La función Bluetooth® dual permite transmitir música desde otra fuente a través de las bocinas estéreo integradas de Metro o transmitir los discos de vinil a cualquier bocina Bluetooth® externa. Con una cómoda asa de transporte, el Metro está listo para viajar a donde sea que vaya la música. La entrada auxiliar y la salida para de auriculares de Ø 3.5 mm ofrece aún más opciones de reproducción.

- El tocadiscos de 3 velocidades reproducirá discos de 33 1/3, 45, 78 rpm
- La conectividad Bluetooth® permite transmitir música desde otra fuente a una distancia de hasta 10 metros
- La conectividad de salida Bluetooth® permite transmitir la reproducción de los discos de vinil a través de cualquier bocina Bluetooth® externa.
- El asa de transporte de primera calidad y los herrajes metálicos permiten la portabilidad y le dan al Metro una excelente apariencia.
- Incluye una entrada auxiliar de Ø 3.5 mm y conector para auriculares para opciones de conectividad adicionales.
- Acabado de vinil rojo con herrajes plateados y asa de transporte negra.
- Bocinas estéreo integradas para mayor comodidad de reproducción

ESPECIFICACIONES

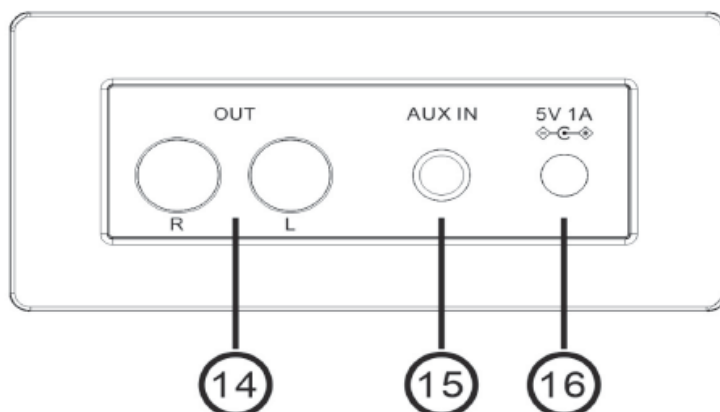
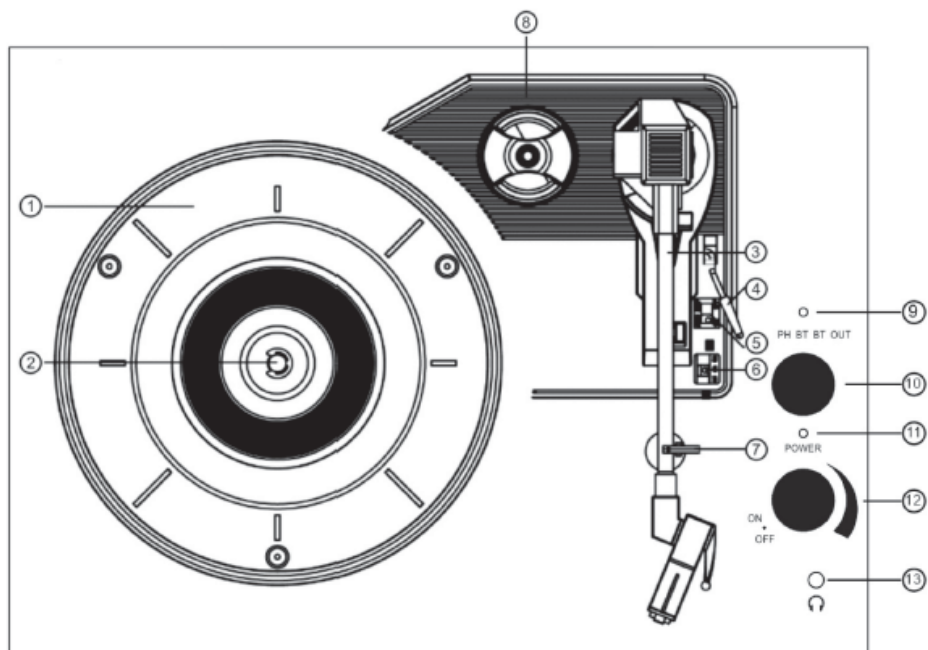
Nombre del Producto	METRO (Tocadiscos de Maleta Dual Bluetooth®)
Velocidad de reproducción (rpm)	33 1/3, 45, 78
Versión Bluetooth®	V5.0
Rango de Frecuencia	2.40 GHz
Distancia de Transmisión Bluetooth®	10 metros*
Entrada	Entrada Auxiliar
Salida	Salida de Línea, Salida para Audífonos
Bocinas incorporadas	2 x 5.08 cm
Potencia de salida	2 x 2 W
Fuente de alimentación	Adaptador ca/cc: Entrada: 100-240 V~ 50/60Hz Salida: 5 Vcc 1 A
Accesorios	Adaptador ca/cc, Manual de operación, Guía rápida de ajustes, Aguja Adicional

* La distancia puede variar dependiendo de cualquier objeto o interferencia entre los dispositivos.

Las especificaciones y el diseño de este producto están sujetos a cambios para mejoras de los mismos, sin previo aviso

DESCRIPCION DE PARTES

1. Plato giratorio para el disco
2. Eje del plato giratorio
3. Brazo Fonocaptor
4. Palanca del brazo fonocaptor
5. Interruptor de detención automática
6. Selector de velocidad (33.3, 45, 78 rpm)
7. Seguro del brazo
8. Adaptador para discos de 45 rpm
9. Indicadores de Modo de Operación
10. Selector de Modo de Operación
11. Indicador de Poder
12. Interruptor / Control de Volumen
13. Conector de salida para audífonos
14. Conectores de Salida de Línea
15. Conector de Entrada Auxiliar
16. Conector de Entrada de alimentación 5 V 1 A



OPERACION BASICA Y AJUSTES

Encender la unidad

1. Insertar la salida del adaptador de ca/cc al conector de entrada de alimentación "Vcc" del tocadiscos, entonces conectar el adaptador de ca/cc al tomacorriente.
2. Girar el "Interruptor / Control de Volumen" en sentido de las manecillas del reloj y el led indicador de poder se enciende. Ahora el sistema está listo para la reproducción de la música.

Reproducción de un Disco

1. Colocar el selector de modo en el modo de Tocabiscos "PH"
2. Colocar el disco de su elección en el plato giratorio. Si es necesario, usar el adaptador de 45 rpm en el eje del plato giratorio.
3. Elegir la velocidad de reproducción deseada con el selector de velocidad (33,3, 45 o 78 rpm).
4. Girar el Interruptor / Control de volumen en sentido de las manecillas del reloj para encender la unidad. Este también controla el nivel de volumen.
5. Liberar el seguro del brazo fonocaptor.
6. Levantar el brazo fonocaptor con la mano ligeramente.
7. Colocar la aguja verticalmente sobre la primera pista del disco, el tocadiscos comenzará a girar automáticamente.
8. Bajar la aguja lentamente sobre el disco para reproducirlo.
9. Cuando un disco llega al final, el tocadiscos se detendrá automáticamente si el interruptor de "Detención automática" está en la posición Encendido "ON". Si el interruptor está en la posición Apagado "OFF", el tocadiscos seguirá girando hasta que el brazo fonocaptor se regrese al soporte de manera manual.
10. Levantar el brazo fonocaptor y colocarlo sobre el soporte al finalizar la reproducción.
11. Colocar la tapa protectora en la aguja y cerrar el seguro del brazo fonocaptor.
12. Apagar el tocadiscos y retirar la fuente de alimentación.

Conexión a un Sistema de Audio Externo

Puede escuchar el nuevo tocadiscos usando las bocinas internas, pero es posible que desee conectarlo a un sistema de audio externo. Conectar las salidas de audio del tocadiscos a la entrada de línea de su mezclador o amplificador mediante un cable RCA (no incluido).

Conexión de un Dispositivo Bluetooth® al Tocabiscos

1. Colocar el selector de modo en el modo de Bluetooth® "BT". El led azul comenzará a destellar indicando que el tocadiscos está en modo de sincronía.
2. En el dispositivo Bluetooth® externo, activar la función de Bluetooth® y la búsqueda de dispositivos. Seleccionar "VICTOR VSRP-800".
3. Escuchará otra notificación de una campanilla y el led azul permanecerá encendido indicando que la conexión ha sido satisfactoria

Conexión del tocadiscos a una bocina Bluetooth® externa

1. Activar el modo de sincronía en la bocina Bluetooth®
2. Colocar el selector en modo en el modo de salida Bluetooth® "BT OUT" en el tocadiscos. El led azul comenzará a destellar indicando que el tocadiscos esta en busca de una bocina Bluetooth® disponible.
3. Cuando el tocadiscos se conecta a la bocina Bluetooth®, el led azul permanece encendido. Una vez que la bocina se sincroniza correctamente, se puede transmitir la señal de audio de forma inalámbrica del tocadiscos a la bocina.
4. Ajuste el volumen de su unidad y/o su dispositivo al nivel deseado.

CUIDADO Y MANTENIMIENTO

Mantenimiento de la aguja fonocaptora del tocadiscos

Para prolongar la vida útil de la aguja fonocaptora, limpiar de vez en cuando con un cepillo suave humedecido en alcohol, cepillando desde la parte posterior hacia el frente del cartucho.

Mantenimiento de discos de vinil

Para maximizar la calidad del sonido y prolongar la vida útil de los discos de vinil, se recomienda limpiarlos con un paño antiestático después de cada uso.

Transporte del tocadiscos

1. Colocar la tapa protectora de la cabeza fonocaptora fonocaptor.
2. Colocar el brazo en el soporte.
3. Asegurar el brazo en el soporte con el seguro.

Instalación o reemplazo de la aguja fonocaptora

La aguja fonocaptora debe reemplazarse periódicamente. Se recomienda reemplazarla después de 400 horas de operación. Para instalar o reemplazar la aguja fonocaptora, seguir los pasos a continuación:

1. Remover el seguro del brazo y levantarlo.
2. En la parte frontal de la cabeza fonocaptora, colocar la punta de la uña entre el soporte de la aguja óptica roja y la carcasa negra del cartucho. Presionar hacia abajo el soporte de la aguja hasta que se separe de la carcasa del cartucho.
3. Remover por completo el soporte rojo con la aguja desgastada y desecharla.
4. Colocar el nuevo soporte rojo con la aguja debajo de la carcasa del cartucho. Primero, presionar hacia arriba en la parte posterior del soporte de la aguja y luego presionar hacia arriba el borde frontal del soporte de la aguja hasta que encaje en el lugar en la carcasa del cartucho.

NOTICIA FCC

Este dispositivo cumple con la parte 15 de las reglas FCC. La operación del aparato está sujeta a las dos siguientes condiciones: (1) Este aparato no puede causar interferencia perjudicial y (2) este aparato debe aceptar cualquier interferencia recibida, incluyendo interferencias que puedan causar un funcionamiento no deseado.

NOTA: Este producto ha sido probado y cumple con las limitaciones de un equipo digital Clase B, de acuerdo con la Parte 15 de las Normas FCC. Estos límites están diseñados para permitir una protección razonable contra interferencia dañina en una instalación residencial. Este equipo genera, usa y puede emitir energía de frecuencia radial y, de no ser instalado y utilizado de acuerdo con las instrucciones, puede causar interferencia dañina a las comunicaciones radiales. Sin embargo, no existe garantía de que la interferencia no pueda ocurrir en una instalación particular. Si este equipo causa una interferencia dañina a la recepción de la radio o la televisión, lo cual se puede determinar encendiendo y apagando el equipo, se recomienda al usuario tratar de corregir la interferencia mediante una o más de las siguientes medidas:

- Orientar o reubicar la antena receptora.
- Aumentar la separación entre el equipo y el receptor.
- Conectar el equipo a un tomacorriente o circuito de alimentación diferente al del receptor.
- Consultar a su proveedor o a un técnico de radio y televisión.

ADVERTENCIA: Cualquier cambio o modificación no expresamente aprobada por la parte responsable del cumplimiento puede anular la autoridad del usuario para operar este producto. Este producto no debe ser colocado u operado en conjunto con cualquier otra antena o transmisor. Para cumplir con las pautas de exposición a radiofrecuencia de la FCC, colocar el producto a una distancia mínima de 20 cm de las personas cercanas.

DECLARACION IC

Este dispositivo cumple con RSS247 de la Industria de Canadá. Este dispositivo cumple con los estándares RSS exentos de licencia de Industria de Canadá. El funcionamiento está sujeto a las dos condiciones siguientes: (1) este dispositivo no puede causar interferencias y (2) este dispositivo debe aceptar cualquier interferencia, incluidas las interferencias que puedan provocar un funcionamiento no deseado del dispositivo.

El dispositivo no debe ubicarse ni operarse junto con ninguna otra antena o transmisor.

Este dispositivo cumple con los límites de exposición a la radiación de IC establecidos para un entorno no controlado.

El dispositivo debe instalarse y operarse con una distancia mínima de 20 cm entre el radiador y el cuerpo.

PRECAUCION SOBRE MODIFICACIONES

Cualquier cambio o modificación no aprobado expresamente por el concesionario de este dispositivo puede anular la autoridad otorgada por la FCC para operar este equipo. Los equipos eléctricos y electrónicos contienen materiales, componentes y sustancias que pueden ser peligrosos para su salud y el medio ambiente, si el material de desecho (equipos eléctricos y electrónicos desechados) no se manipula correctamente. Los equipos eléctricos y electrónicos están marcados con el símbolo del bote de basura tachado, que se ve a continuación. Este símbolo significa que los equipos eléctricos y electrónicos no deben desecharse con otros desechos domésticos, sino que deben desecharse por separado. Todas las ciudades han establecido puntos de recolección, donde los equipos eléctricos y electrónicos pueden entregarse sin cargo en las estaciones de reciclaje y otros sitios de recolección o recolectarse en los hogares. Información adicional está disponible en el departamento técnico de su ciudad.



SOPORTE

Hacemos todo lo posible para ofrecer productos de alta calidad a nuestros clientes. Si experimenta algún problema con su producto, comuníquese con el servicio de atención al cliente, muchos problemas se pueden resolver rápidamente.

Si tiene problemas con su dispositivo, consulte las instrucciones de este manual. También visítenos en la página web en www.naxa.com para obtener noticias, alertas y documentación actualizadas para su dispositivo. Para obtener asistencia adicional, comuníquese con el soporte técnico de Naxa.

Soporte Técnico Naxa

2320 East 49th St.

Vernon, CA 90058

(866) 411-6292

<http://www.naxa.com/supportcenter>

Este producto es fabricado y vendido bajo la responsabilidad de NAXA ELECTRONICS INC.

Los logotipos de VICTOR y el Perro con el Fonógrafo son marcas registradas usadas bajo licencia por NAXA ELECTRONICS INC. Para más información en www.victor-brand.com.

Todos los demás productos, servicios, empresas, marcas registradas, nombres comerciales o de productos y logotipos a los que se hace referencia en este documento son propiedad de sus respectivos dueños.