

BOOM BOX VINYLE

NOTICE / USER MANUAL

HERMÈS
PARIS



TABLE OF CONTENTS

1 . PRESENTATION OF THE SPEAKER

- 1 . YOUR BOOMBOX SPEAKER
- 2 . SAFETY INFORMATION
- 3 . WARRANTY AND REPAIR
- 4 . GENERAL DESCRIPTION
- 5 . KNOB AND COMMAND PANEL

2 . USING THE BOOMBOX

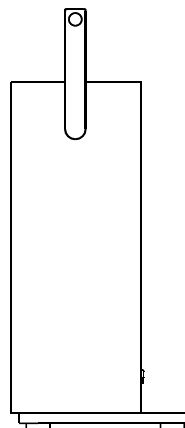
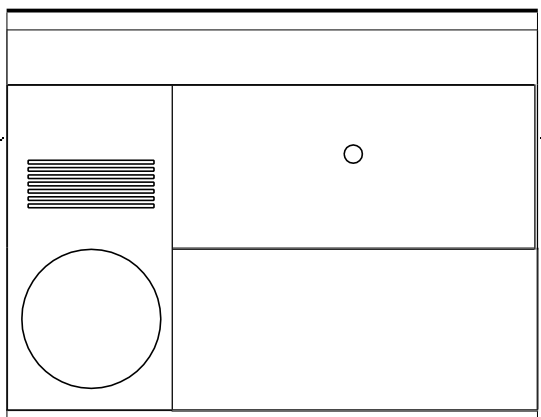
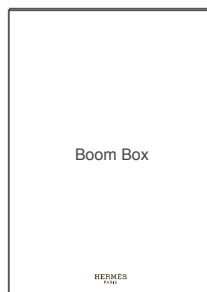
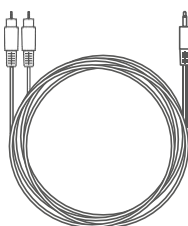
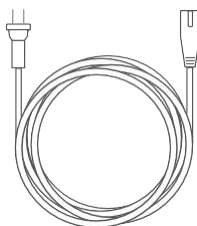
- 1 . ON / OFF
- 2 . CHOSSING YOUR SOURCE
- 3 . VOLUME, BASS AND TREBLE SETTINGS
- 4 . TURNTABLE USE
- 5 . USING YOUR BOOM BOX WITH YOUR DEVICES

3 . MAINTENANCE AND ASSISTANCE

- 1 . CLEANING THE BOOM BOX
- 2 . NO POWER
- 3 . NO SOUND
- 4 . DISTORTION OF SOUND OR BUZZING
- 5 . BACKGROUND NOISE AND UNWANTED INTERFERENCE
- 7 . THERMAL PROTECTION OF THE AMPLIFIER
- 8 . BAD BLUETOOTH CONNECTION
- 9 . TECHNICAL SUMMARY

1. DESCRIPTION OF THE BOOM BOX

1 . YOUR BOOM BOX SPEAKER



2 . SAFETY INFORMATION

1. Read these instructions.
2. Keep these instructions.
3. Heed all warnings.
4. Follow all instructions.
5. Do not use this apparatus near water.
6. Clean only with a dry cloth.
7. Do not block any ventilation openings. Install in accordance with the manufacturer's instructions.
8. Do not install near any heat sources such as radiators, heat registers, stoves, or other apparatus (including amplifiers) that produce heat.
9. Respect the safety principle of the biased plug. A biased plug is equipped with two pins, one larger than the other. If the provided pin is not adapted to your electrical wall power socket, call an electrician to replace the obsolete electrical wall power socket.
10. Protect the power-supply cord from being stepped on or pinched, particularly at plugs, convenience receptacles and the point where they exit from the apparatus.
11. Only use attachments / accessories specified by the manufacturer.
12. Use the BOOM BOX only in its original base.
13. Unplug this apparatus during lightning storms or when unused for long period of time.
14. Have all maintenance work done by qualified, specialized personnel. Repairs are required when the device has been damaged : power cord or plug damaged ; liquid spilled on the device or if an object has fallen on it ; if it rains on the device or if it is wet or damp ; if the device not normally operating ; or is the device has fallen.
15. The equipment shall be used at a maximum of 45degrees C ambient temperature.
16. To reduce the risk of electric shock, do not open the equipment. For safety reasons, only allow qualified safety personnel to open the equipment.
17. The mains plug or AC inlet is used as the disconnect means and shall remain readily available

WARNINGS : To reduce the risk of fire or electrical discharge, do not expose the unit to rain or wet sources. The unit is class 1 classified, and it must be connected to the electrical wall power socket with an earth plug. The unit must be installed so that it can be removed from the electrical network by means of the earth plug (or with an adapted connector located on the rear side of the unit). If the power plug is used as a disconnection device, the unit must be available and easy to use. Only use the power cords supplied with the unit. We recommend not to place in a confined space. Do not place the unit on a rug, or on a smooth surface, and do not obstruct the air holes, the amplifier's radiator (blades), or the output screens. The unit must not be used nearby water ; it must not be exposed to an evacuation source, or to splashing, or to any other types of liquids. No object filled with water such as vases, should be placed on the unit. The assembly of the BOOM BOX is a very important step for the correct use of the product. The end user should carefully read the assembly guidelines before setting up the product or consult a brand representative in case of any question. CCLAB Hermès and its distributors cannot be held responsible in case of the product falling due to a mounting that did not follow these guidelines.

IMPORTANT : THE MANUFACTURER DISCLAIMS ANY RESPONSIBILITIES FOR RADIO OR AUDIOVISUAL INTERFERENCES GENERATED BY UNAUTHORISED CHANGES MADE ON THIS DEVICE. SUCH CHANGES COULD WOULD VOID THE MANUFACTURER WARRANT AND CANCEL THE AUTHORIZATION OF UTILIZATION BY THE USER.

This device complies with part 15 of the FCC Rules. Operation is subject to the following two conditions: (1) This device may not cause harmful interference, and (2) this device must accept any interference received, including interference that may cause undesired operation.

Any Changes or modifications not expressly approved by the party responsible for compliance could void the user's authority to operate the equipment.

Note: This equipment has been tested and found to comply with the limits for a Class B digital device, pursuant to part 15 of the FCC Rules. These limits are designed to provide reasonable protection against harmful interference in a residential installation. This equipment generates uses and can radiate radio frequency energy and, if not installed and used in accordance with the instructions, may cause harmful interference to radio communications. However, there is no guarantee that interference will not occur in a particular installation. If this equipment does cause harmful interference to radio or television reception, which can be determined by turning the equipment off and on, the user is encouraged to try to correct the interference by one or more of the following measures:

- Reorient or relocate the receiving antenna.
- Increase the separation between the equipment and receiver.
- Connect the equipment into an outlet on a circuit different from that to which the receiver is connected.
- Consult the dealer or an experienced radio/TV technician for help.

This equipment complies with FCC radiation exposure limits set forth for an uncontrolled environment. This equipment should be installed and operated with minimum distance 20cm between the radiator & your body.

Low power radio wave radiating motor management method

Article 12

A low-power RF motor that has passed the type approval shall not change the frequency, increase the power or change the characteristics and functions of the original design without permission.

Article 14

The use of low-power RF motors shall not affect the safety of flying and interfere with legal communications; if interference is found, it shall be improved until no interference is required. Legal communication in the preceding paragraph refers to radio communications operating in accordance with the provisions of the Telecommunications Act. Low-power RF motors must withstand interference from legitimate communications or radiological electrical equipment for industrial, scientific, and medical use.



ATTENTION The purpose of the exclamation point in equilateral triangle is to inform the user of the presence of important instructions in this manual about how to operate the device and maintenance operations.



DEEE SYMBOL The separate recycling of electrical and electronic devices. This product contains electrical and electronic equipments which can be reused, recycled or recovered, and therefore must not be discarded in your usual trash, which is not selectively sorted. Please return the unit or contact the authorized dealer who supplied you the product for more information.



NORMES FCC

The **BOOM BOX** speaker is an acoustic speaker which integrates a power amplifier.



DANGEROUS VOLTAGE The luminous indicator with the "arch in an equilateral triangle" symbol is intended to warn the user of the presence of a "dangerous current" not insulated in the product, and this current could be strong enough to cause an electric discharge on people.



MARQUE CE This product in conformed to the European directives related to low voltage (2006/95/EC) and electromagnetic compatibility (89/336/EEC) when the unit is installed and used accordingly to the users manual instructions. To guarantee extended conformity, only La Boîte Concept accessories should be used with this product and the maintenance operations must be conferred to qualified and specialized personnel.

AERATION / IMPORTANT

The unit may heat when used. Never operate the central part without its side bases. Do not place the equipment in a completely closed room or in a compartment insufficiently ventilated. Make sure that no small object can pass through the BOOM BOX. If it happens, immediately switch off the device, disconnect it from the wall power socket and contact your dealer for assistance and advice.

LOCATION

Carefully select a spot for installing your equipment. Avoid placing it directly in sunlight or nearby a heat source. No fire source such as candles shall be placed on the device. Also, avoid any source which could cause vibration, dust, coolness or moisture. The device can be used at average temperatures. The unit must be installed on the two (2) BOOM BOX provided legs. Do not operate the central part without its sides bases. Do not install the equipment in a completely closed room or in a set of compartments. Do not place the unit on an unstable surface or on a shelf. Make sure that the furniture inserts have been correctly fastened. If not, the unit could fall and injury a child or an adult, and damage the product as well. Due to the disturbed magnetic fields, no record player or CRT television set must be placed nearby the device to avoid possible interference.

POWER SOURCE

The unit should only be used with the type of electric power source compatible indicated in the trapdoor storage space. If you are not sure about the power source rating in your place, please contact your dealer or the company responsible for the electric power installation in your area. The unit was designed to be left in Stand-by mode when not in use ; this will allow increasing the amplifier's life (this is true for all electrical devices). To switch off the unit, press the ON/OFF button on the rear of the device (metal plate located under the central unit). If you do not intend to use the unit for a long period, simply unplug it from the wall power socket.

OVERLOAD

Avoid overloading the wall-mounted electrical installations or the extension cords because this could cause a fire or an electrical discharge. Overloaded DC installations, extension cords, damaged power cables, a damaged or cracked insulation and broken plugs are dangerous. They could cause a discharge or a fire. Make sure that each cables are correctly inserted. To avoid humming or background noise, do not mix interconnections with the power cord or loudspeakers cables.

CLEANING

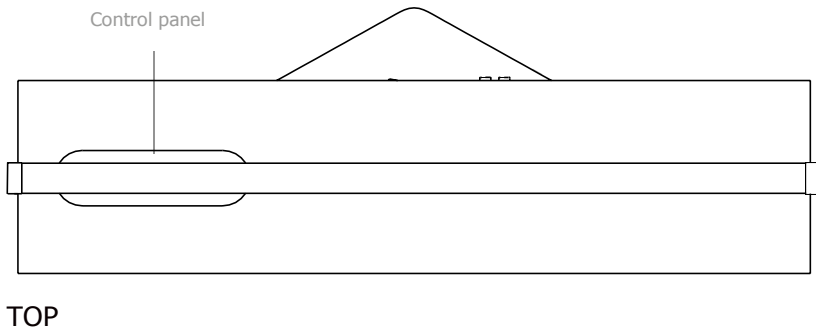
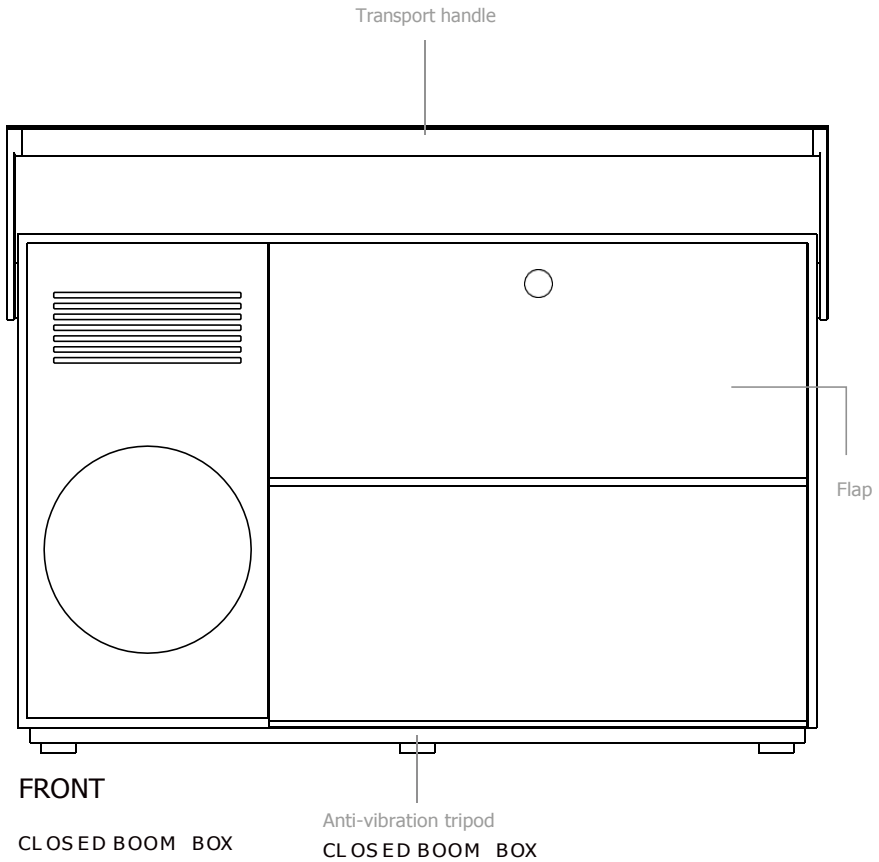
In order to clean the unit, wipe it with a dry, lint-free cloth. Do not use liquid cleaning products containing alcohol, ammonia or abrasives. Do not use a spray on and nearby the unit.

REPAIRS

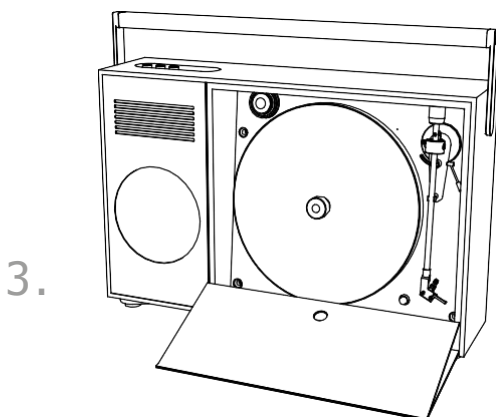
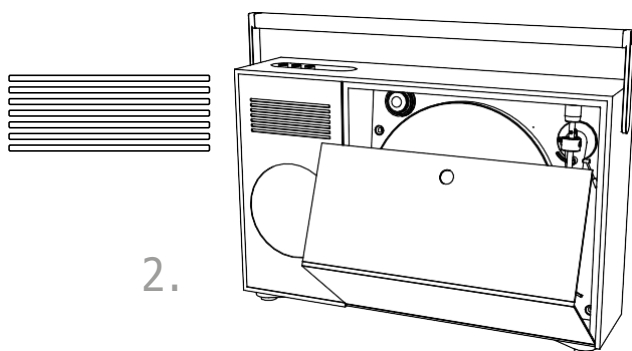
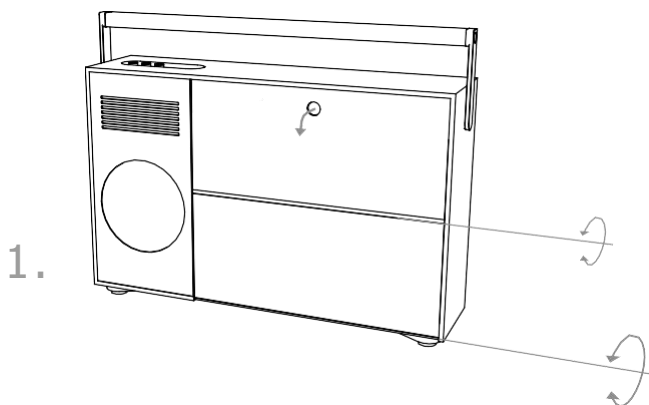
These units should not be repaired by the user. Do not try to repair, dismount or un- assemble the unit if a problem occurs. A strong electric discharge could take place if this precautionary measures are not respected. In case of a problem or failure, please contact your dealer.

3 HERMÈS LIMITED WARRANTY

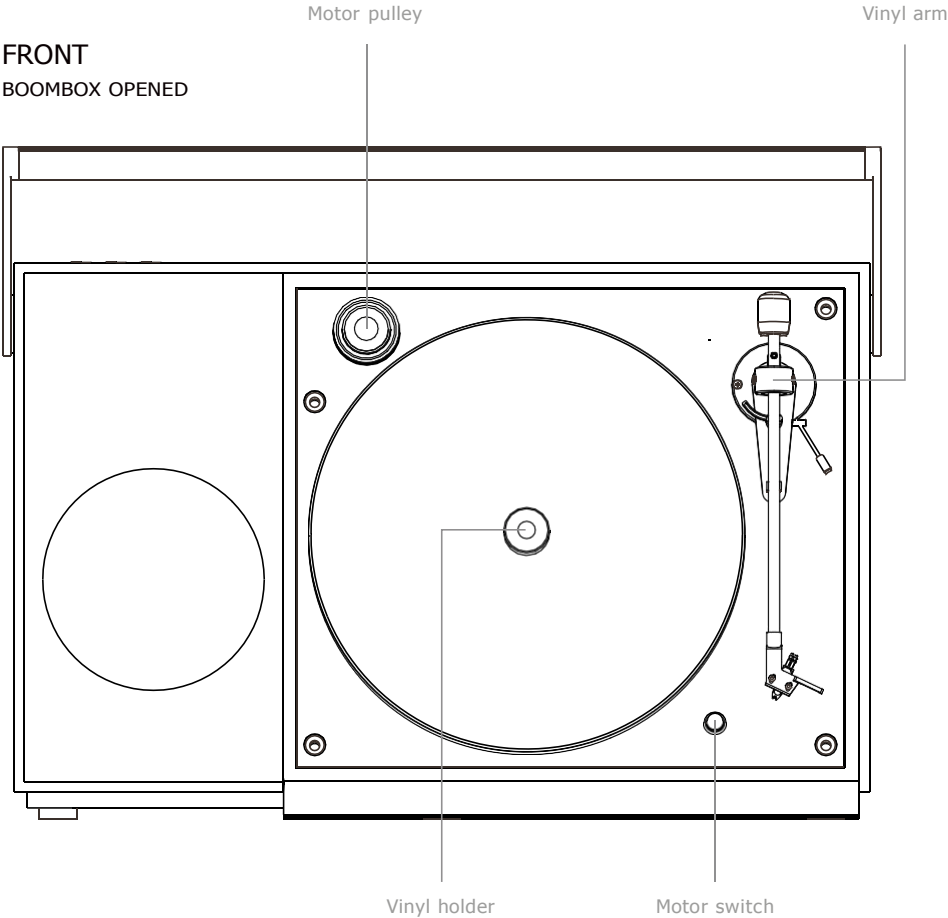
4 GENERAL DESCRIPTION



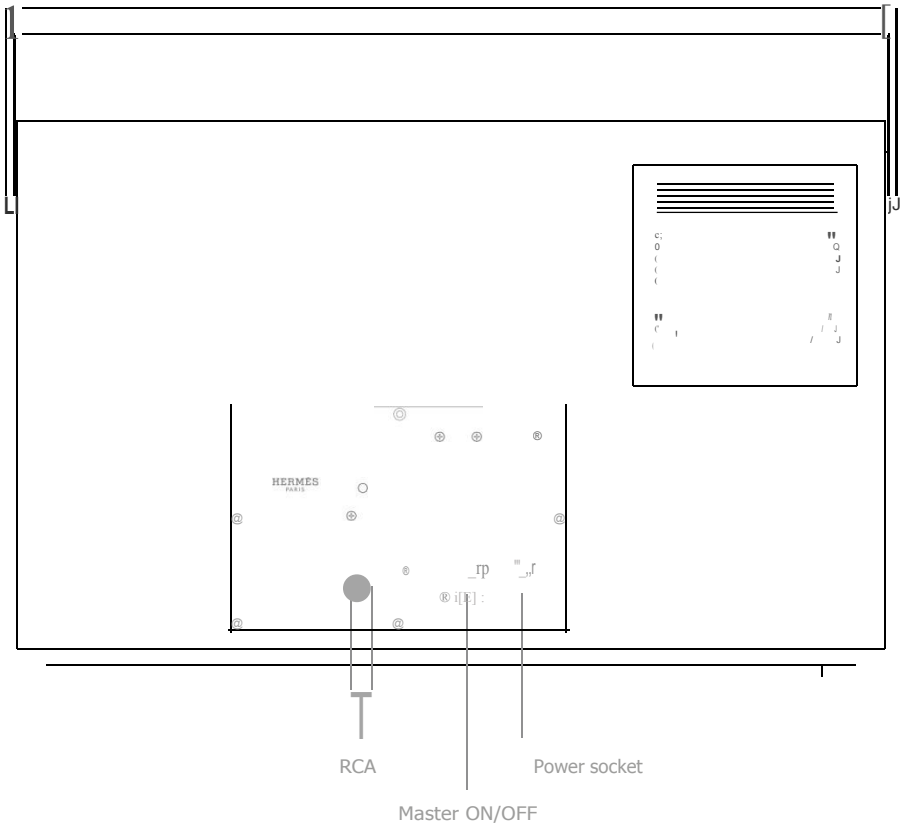
BOOM BOX OPENING



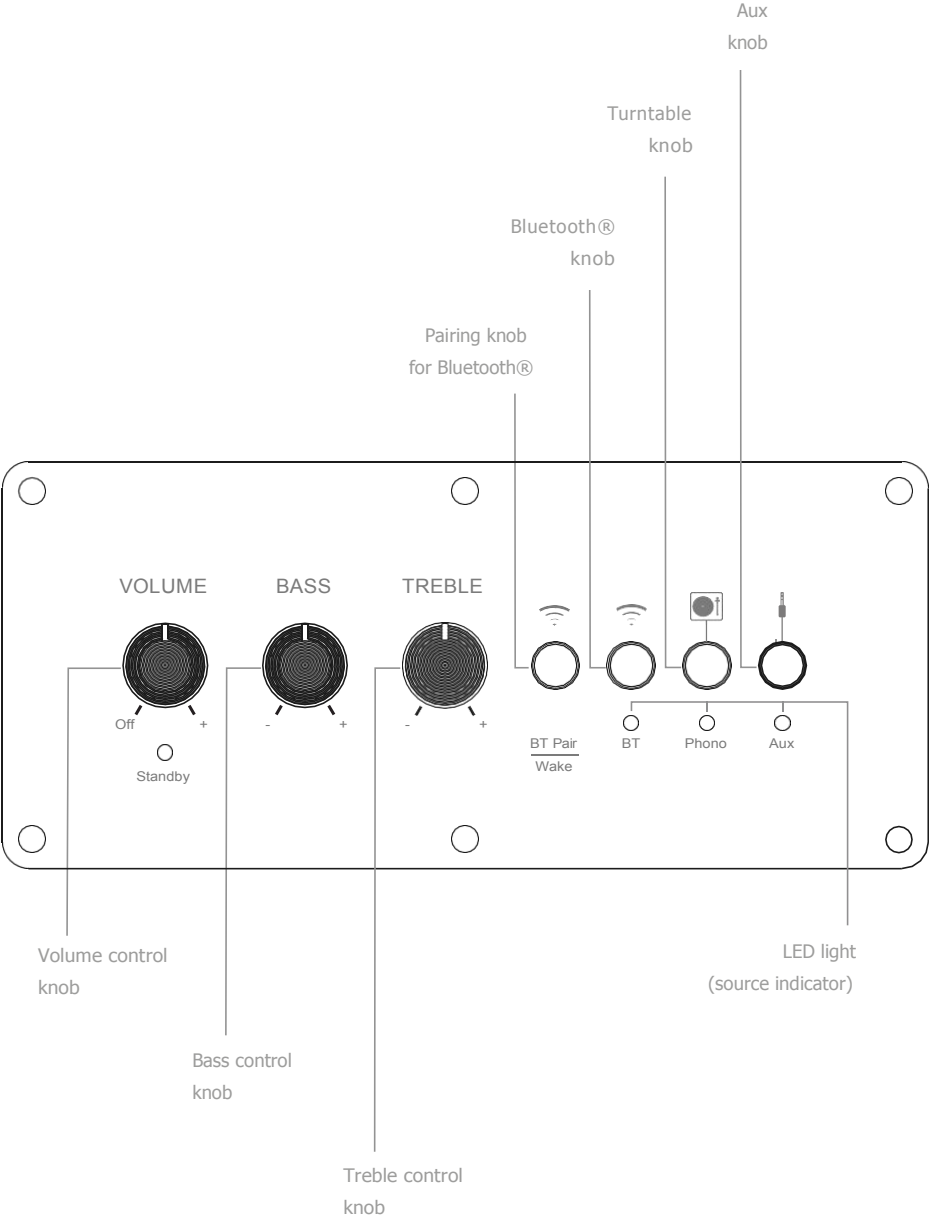
FRONT
BOOMBOX OPENED



ARRIÈRE



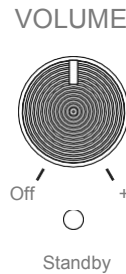
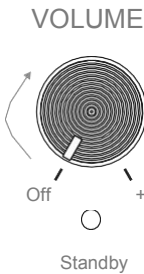
5 . BOUTONS & PANNEAU DE COMMANDE



2. USING THE BOOM BOX

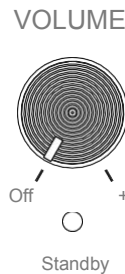
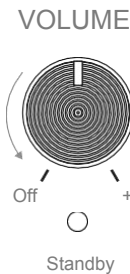
1 . ON / OFF

1. Insert the power cord into the power socket behind your BOOM BOX.
2. Connect the power cord to the wall outlet.
3. First, Turn ON the master button at the rear of the speaker system to pre-power on the BOOM BOX speaker system.
4. Second, turn the volume knob clockwise to turn on the BOOM BOX speaker system. The Bluetooth LED lights up.



6. The BOOM BOX will automatically go into sleeping mode if you leave your device without any signal for 30 minutes. To wake up the device, play music from Bluetooth mode or from another source.

7. To temporarily switch off the BOOM BOX, turn the volume button counter-clockwise and match the cursor to Standby.



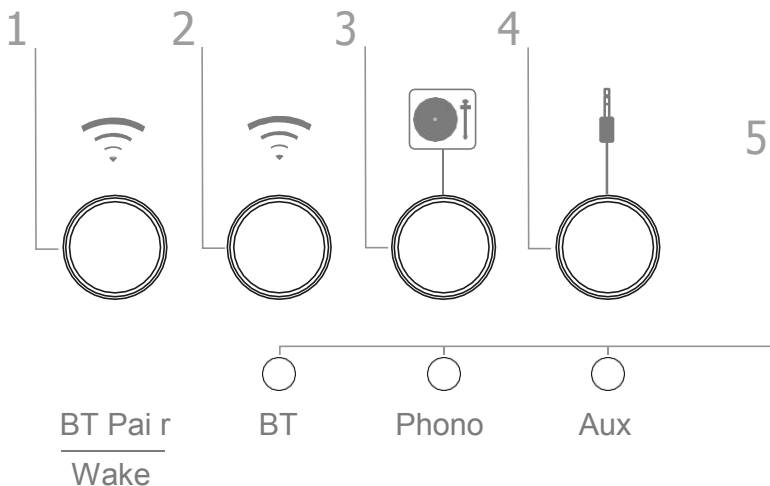
8. To turn off the BOOM BOX completely, switch off the ma. All LED lights go out.

2 . CHOOSING YOUR SOURCE

On your BOOM BOX, the choice of the sound source is made at the control panel by pressing one of the buttons from 1 to 4, after you have made your connections to the source panel.

- / Source selection BT Pair matches **(1)** the Bluetooth® pairing with your devices.
- / Source selection BT matches **(2)** the Bluetooth® input with your devices.
- / Source selection Phono matches **(3)** the Phono input with your devices.
- / Source selection Aux matches **(4)** the Auxiliary input.

Note : source used is indicated by Led light **(5)**.



3 . VOLUME, BASS AND TREBLE SETTINGS

VOLUME SETTING

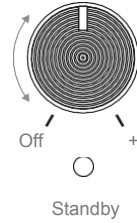
TO INCREASE THE VOLUME

Turn the volume knob clockwise.

TO DECREASE THE VOLUME

Turn the volume knob counter-clockwise.

VOLUME

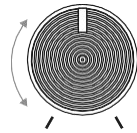


BASS SETTING

Vary the cursor to the - to emit less bass and to the + to emit more bass.

Setting at 12h = 0: neutral position.

BASS

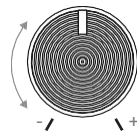


TREBLE SETTING

Vary the cursor to the - to emit less treble and to the + to emit more treble.

Setting at 12h = 0: neutral position.

TREBLE



4 . TURNTABLE USING

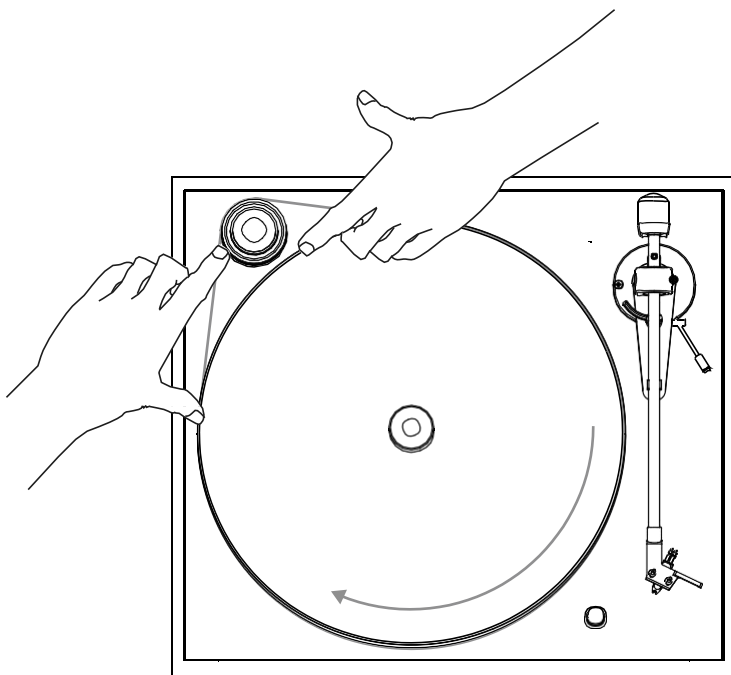
1

Positioning the belt:

/ With your left hand, gently hold the belt in the groove of the intended pulley.

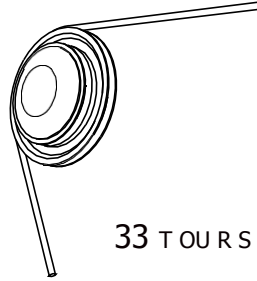
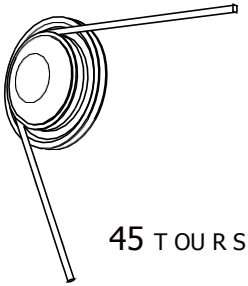
/ With your right hand, stretch the pulley belt to the tray, avoiding stretching.

/ Gently wrap the belt around the tray without folding.



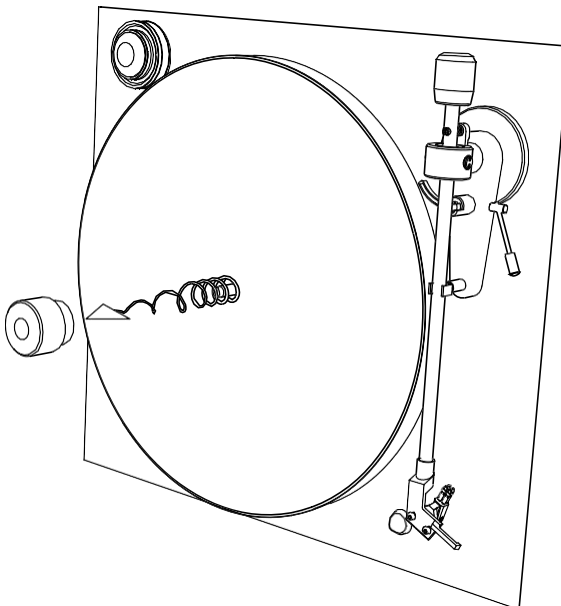
2

Select the speed according to your disc, 33 or 45 RPM by positioning the belt on the motor:



3

Unscrew the vinyl holder in the center of the tray.



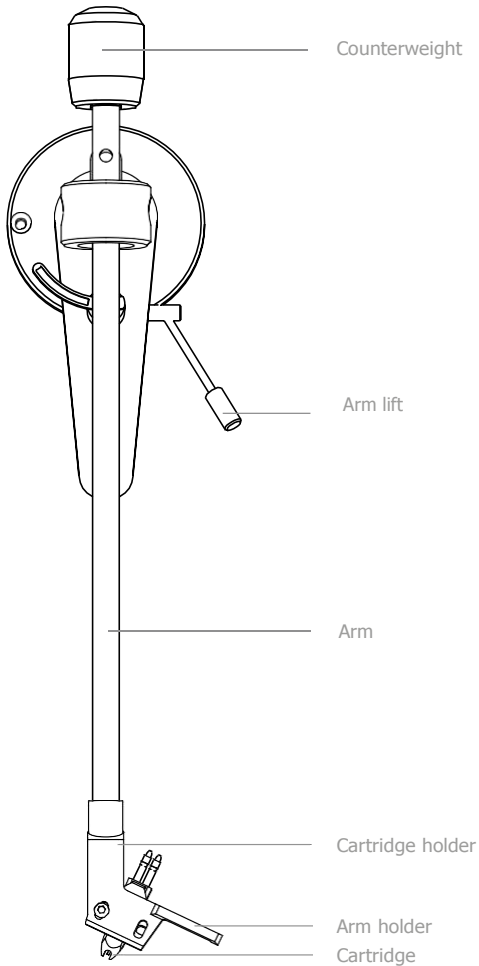
4

Position the disc on the felt and make sure it is properly cleaned and dusted. And screw the vinyl holder back.

5

Remove the protection from the cartridge.

VISUEL DU BRAS PLATINE

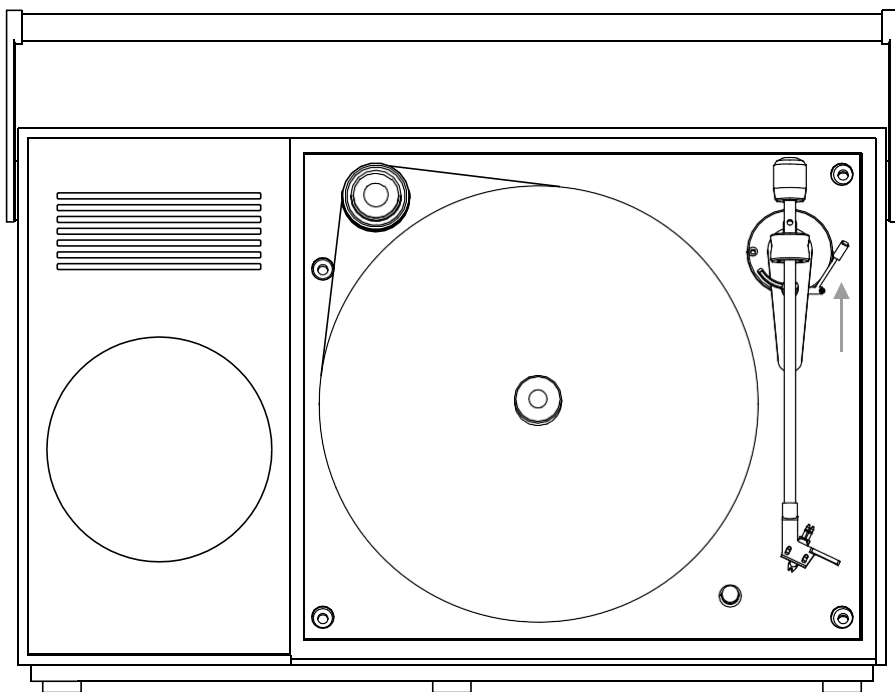


6

Start the reading by push the motor switch.

7

Take care the arm lift is up.



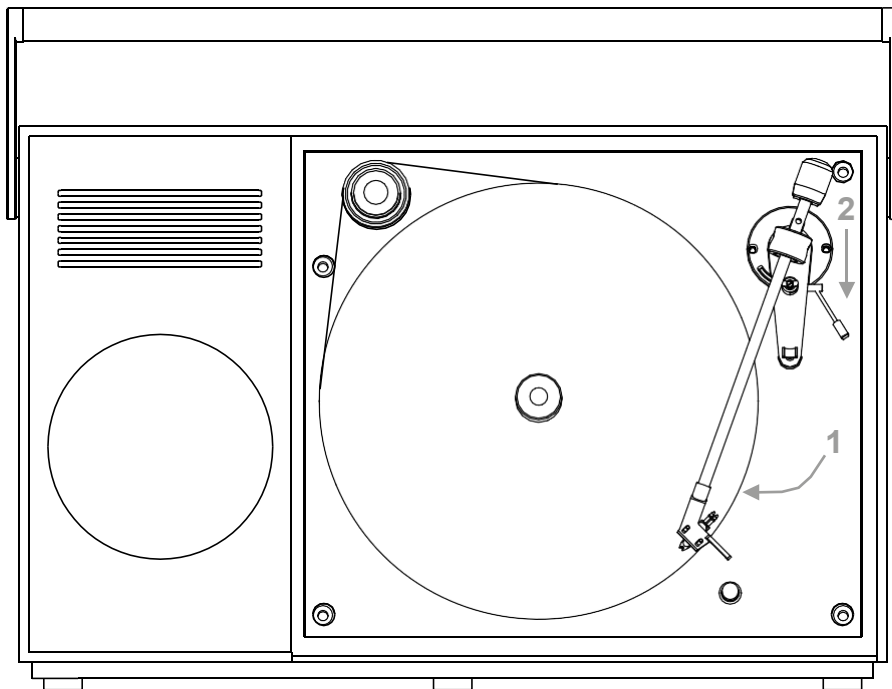
8

Select the **Phono** mode as source on the control panel.

9

Remove the arm from its support using the arm handle then carefully post it onto the disc.

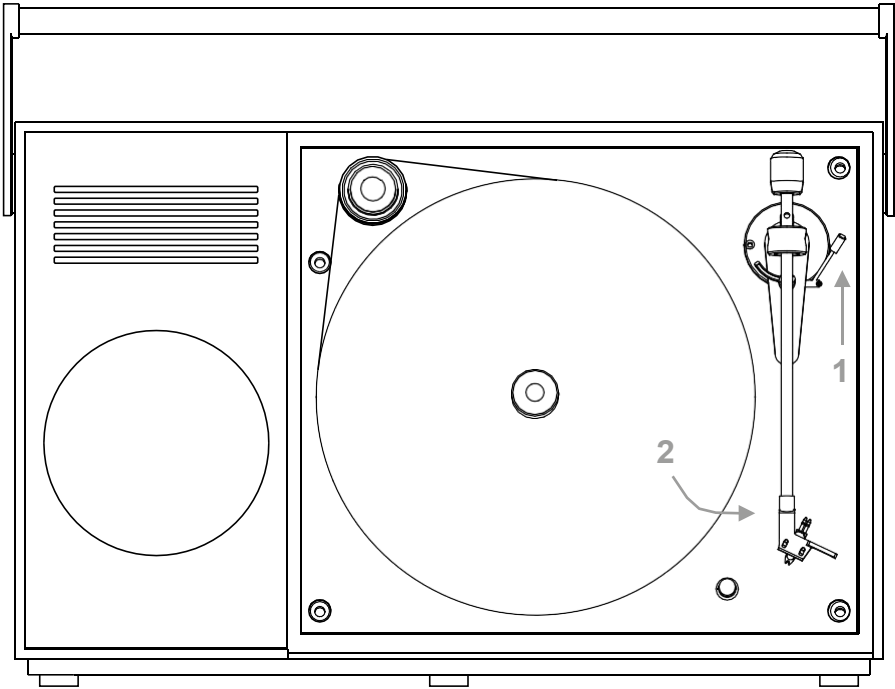
Drop the arm lift to ensure that the cartridge touch the vinyl.



10

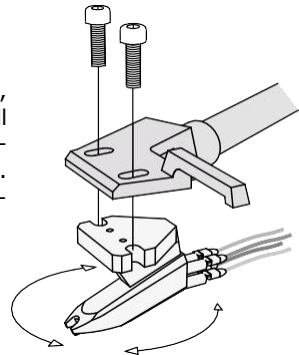
You can now read you vinyl, increase or decrease the volume, bass and treble.

At the end of the reading:



4 . 1 ORIENTATION OF THE CARTRIDGE

In case of cell change, or if the stage has been moved, it may be necessary to adjust the orientation of the cell again. The cell head has two screws to adjust the cell angle according to the type of vinyl (33 RPM or 45 RPM). Adjustment templates are available from specialized manufacturers.



5 . USING YOUR BOOM BOX WITH YOUR DEVICES

Your BOOM BOX is equipped with the Bluetooth® technology to play music from your computer, tablet or smartphone, without cable. The Bluetooth® receiver on your BOOM BOX lets you listen to high definition music wirelessly.

To use this connection, you simply need to:

1. Turn on your BOOM BOX.
2. Bluetooth is the default source and turns on automatically. The LED on the BOOM BOX starts flashing white.
3. Activate Bluetooth® functionality on your device (computer, tablet or smartphone)
4. Press the pairing button PAIR on the BOOM BOX once, the LED will flash quickly.
5. On your device, select BOOM BOX from the list.
6. Once the LED is illuminated continuously, you are logged in.
7. Now you can fully enjoy your wireless listening and control your playlists from your source (computer, tablet and smartphone) within about 10 metres of your BOOM BOX.

NOTE:

You just need to pair your computer, tablet or smartphone with your BOOM BOX once, the device is then included in the list of your Bluetooth® devices. When pairing a new device, press the button again and repeat the above steps.

CONNECTION OF RCA CABLES

Use the RCA input with the supplied cable (the two-end cable with RCA audio and 3.5mm stereo) to connect your BOOM BOX to audio sources such as your mobile phone, tablet or computer.

To use this connection, you simply need to:

1. Connect the supplied cable to your BOOM BOX (RCA and stereo jack) and to the audio output of your music device (source).
2. Switch the button on your source panel to AUX.

3. MAINTENANCE AND ASSISTANCE

1 . TO CLEAN THE BOOM BOX

Disconnect the unit from the AC outlet before cleaning. Clean only with a dry cloth. Do not use any cleaning alcohol, or solvent to clean the surface of the device as both could damage the lacquer and cause electrical failure and fire if they penetrated the electronics of the device. Do not attempt to clean the interior of your BOOM BOX, except for the turn table.

2 . NO POWER

Make sure that the cable is securely connected. Make sure that the plug is fully inserted into the wall outlet and that there is power. Check that the ON/OFF button located at the rear of the BOOM BOX is in the ON position. Check that the device is switched on from the white BT LED on the control panel.

3 . NO SOUND

Check that the volume of your source is set to a sufficiently high level. Verify that your source is plugged into the source panel correctly and that you have selected the source. (If using the BOOM BOX with your devices)

4 . DISTORSTION OF SOUND OR BUZZING

Check the connections of your music readers. Make sure all connecting cables are secure, especially the ground/ground connections. Check the condition of your cables.

5 . BACKGROUND NOISE AND UNWANTED INTERFERENCE

Remove other electrical equipment that may cause interference. In case the above solutions do not remedy your problem, please contact a professional. For any repairs, during or after the warranty, please contact your dealer.

6 . THERMAL PROTECTION OF THE AMPLIFIER

In the case of prolonged use at a high level of listening, a significant temperature rise may affect the amplifier's performance. When amplification components reach a temperature above 110°C, the amplifier automatically lowers the volume to allow a return to the optimal operating temperature.

7 . BAD BLUETOOTH CONNECTION

When connecting a new device, make sure that the input source chosen is the Bluetooth®. Press the Bluetooth® button briefly and quickly. If "BOOM BOX" does not appear on your device, be sure to manually refresh the Bluetooth® device list on your smartphone/device after briefly pressing the Bluetooth® button on the BOOMBOX.

You hear a short beep once your device connects. If you do not hear any sound, make sure that the BOOM BOX Platinum is not in sleep mode and increase the volume. Your device may lose its connection if you exit the Bluetooth® page or put it into sleep. In this case, the Bluetooth® connection can be easily redone from the Bluetooth® configuration page of your mobile phone (without the need to press the Bluetooth® button on the BOOM BOX Platinum). Please note that depending on your facility and the model of your portable phone, the Bluetooth® range will be limited to 5-10 meters or less if walls or furniture interfere with the signal.

8 . TECHNICAL SUMMARY

SOURCES :

DIMENSIONS & POIDS

605mm x198mm x 462mm

SPEAKERS

TURN TABLE