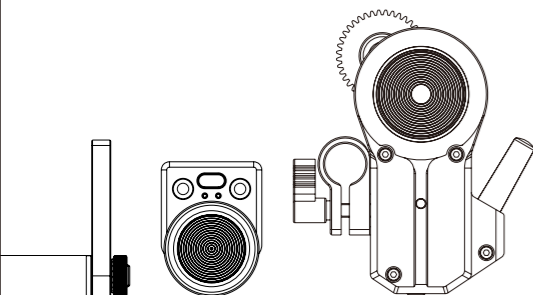
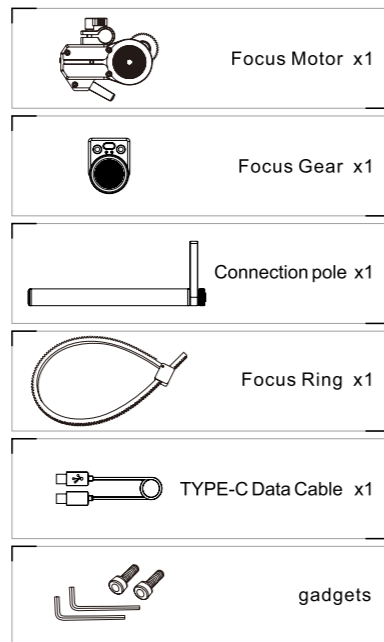


# FOCUS MOTOR



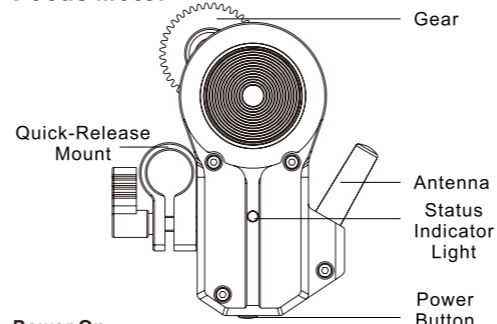
Before using the product,pls check carefully all of the included parts listed below in the box,if any missing,pls contact Weifeng or your dealer.



## Appearance

Before use,pls be familiar with the product's port and button.

### Focus Motor



#### Power On

- Press and hold for 1 second, and release after the indicator turns green (normal power-on)
- If red light flashes quickly, it indicates firmware errors, and needs to re-upgrade firmware

#### Charging the Batteries

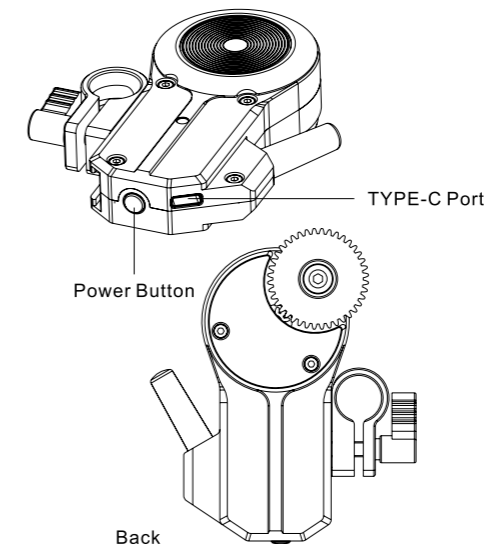
- Solid blue light indicates in the charging, and Light turns off when the charging is completed

#### Battery level

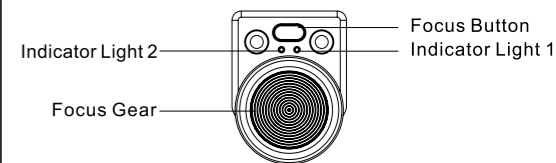
- Green light for battery level of 60%-100%
- Blue light for battery level of 30%-59%
- Red light for battery level of 0%-29%

## Upgrade

- 1.Use TYPE-C cable to connect Focus Motor to the computer.
- 2.Press power button and hold for 3 seconds,release after indicator light turns white.
- 3.Use computer to load the firmware for upgrades.



## Focus Gear



## Remote Controller

Indicator Light 1

Light off-RC is disconnected to Motor  
Single Flash-RC is connected to Motor,not proceeding route calibration  
Double Flash- RC is connected to Motor,succeeding in route calibration

Indicator Light 2

Light off-- A-B point is not set  
Single Flash-- Setup of Motor point A is completed  
Double Flash-- Setup of Motor A-B is completed

Button Operation

Single press: to mark/delete A-B point  
Double press: Manual route calibration  
Triple press: Automatic route calibration  
Long press: Motor reversal motion

## Notes: Manual route calibration

1. Double press the Follow focus button, the focus motor will enter the route calibration mode upon receipt of instruction, and the indicator light on the focus motor flashes quickly.
2. Manually turn the lens to the starting point, and then turn the lens slightly in the opposite direction.
3. Continue to turn the lens to the end point, again turn the lens slightly in the opposite direction, at this time, the focus motor automatically records the lens route.
4. Once the calibration is completed, the LED light on the focus motor is restored to a flicker frequency of 1 second, and the indicator light 1 on the follow focus gear turns into a double flash.

## Notes: A & B setting

1. This operation can only be done when the route calibration is completed.
2. Operation
  1. Turn the focus gear, control the motion of the focus motor to the appropriate point A, then single press the Follow focus button.
  2. Turn the focus gear, control the motion of the focus motor to the appropriate point B, then single press the Follow focus button.
3. The focus motor automatically records the data, and generate A to B limit point data. At this time, the limit range of focus motor is reduced to the range of point A to point B.
4. To cancel the A-B limit, and restore the range of route calibration, just click the Follow focus button.

## FCC Warning Statement

Changes or modifications not expressly approved by the party responsible for compliance could void the user's authority to operate the equipment.

This equipment has been tested and found to comply with the limits for a Class B digital device, pursuant to Part 15 of the FCC Rules. These limits are designed to provide reasonable protection against harmful interference in a residential installation. This equipment generates uses and can radiate radio frequency energy and, if not installed and used in accordance with the instructions, may cause harmful interference to radio communications. However, there is no guarantee that interference will not occur in a particular installation.

If this equipment does cause harmful interference to radio or television reception, which can be determined by turning the equipment off and on, the user is encouraged to try to correct the interference by one or more of the following measures:

- Reorient or relocate the receiving antenna.
- Increase the separation between the equipment and receiver.
- Connect the equipment into an outlet on a circuit different from that to which the receiver is connected.
- Consult the dealer or an experienced radio/TV technician for help.

This device complies with part 15 of the FCC Rules. Operation is subject to the following two conditions:  
(1) This device may not cause harmful interference, and  
(2) this device must accept any interference received, including interference that may cause undesired operation.

## Warranty Card

### Warranty Period Statement

1.Customers are entitled to replacement or free repair service in case of quality defects found in the product within 7days upon receipt of the product.

2.Customers are entitled to free repair service during normal consumer use and maintenance within the one year upon receipt of the product.

### This warranty does not apply to the following:

- 1.Products subjected to unauthorized repair, misuse, collision,neglect, mishandling,soaking,accident, and unauthorized alteration.
- 2.Products subjected to improper use or whose labels or security tags have been torn off or altered.
- 3.Products whose warranty has expired.

4.Products damaged due to force majeure, such as fire, flood,lightning.

To obtain the warranty service, please follow these steps  
1.If failure or any problem occurs to your product after purchase, please contact a local agent for assistant. If there is no local agent, you can always contact our customer service through email or website.  
2.Your local agent or customer service will guide you through the whole service procedure regarding any product issue or problem you have encountered. Weifeng reserves the right to reexamine damaged or returned products.

## Customer Information

Customer Name	Contact No.
Address	

## Sales Manager

Sales Date	Dealer
Dealer Contact No.	

## #1 Maintenance Record

Service Date	Signature of Repairman
Cause of Problem	

Service Result:  Solved  Unsolved  Refunded/ Replaced

Contents are subject to change without prior notice  
You can download the latest version from  
www.weifengchina.com