



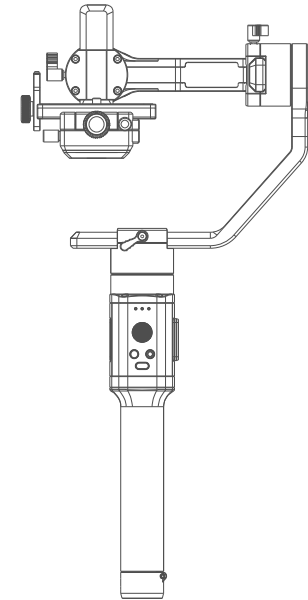
Ningbo Fancier Photographic Equipment Co.,Ltd.
Add.:No.1230 South Cihai Road,Luotuo Street,Zhenhai District,
Ningbo,Zhejiang,China 315202
Tel:86-574-55681615
E-mail:sales@weifengchina.com
www.weifengchina.com

Made in China



Wi-710 User Guide

V1.0 2018.12



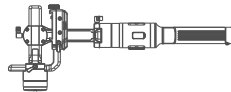
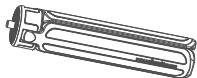


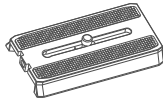



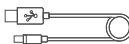



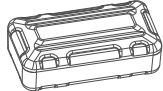

— www.weifengchina.com —

Contents

Packing List	02
Disclaimer and Warning	08
Stabilizer Introduction	10
Charging the Batteries	12
Installation	15
Balance Adjustment	18
Control Panel Introduction	21
Introducing Gimbal Control Modes	23
APP Download and Installation	24
APP Operations	30
Calibration and Firmware Upgrade	35
Product Specification	36
Warranty Card	38

Packing list

The product package comes with the following items. In case that any item is found missing, please contact Weifeng or your local selling agent.

 3-Axis Camera Stabilizer x1	 Tripod x1
 18650 Li-ion Battery x4	 18650*4 Li-ion Battery Charger x1
 Quick Release Plate x1	 Shoulder Strap x1
 Heighten Plate x1	 Accessories x1
 Type-c Cable x1	 Canon Camera Control Cable x1
 Sony Camera Control Cable x1	 Panasonic Camera Control Cable x1
 Storage Case x1	 User Guide x1

Disclaimer and Warning

Thank you for using Weifeng Wi-710. The information contains herein affects your safety and your legal rights and responsibilities. Read this entire document carefully to ensure proper configuration before use. Failure to read and follow the instructions and warnings herein may result in serious injury to you or bystanders, or damage to your device or property.

Weifeng reserves the right of final explanation for this document and all relevant documents relating to Wi-710, and the right to make changes at any time without notice. Please visit www.weifengchina.com for the latest product information.

By using this product, you hereby signify that you have read this document carefully and that you understand and agree to abide by the terms and conditions herein.

You agree that you are solely responsible for your own conduct while using this product, and for any consequences thereof. You agree to use this product only for purpose that are proper and in accordance with all terms, precautions, practices, policies and guidelines Weifeng has made and may make available.

Weifeng accepts no liability for damage, injury or any legal responsibility incurred directly or indirectly from the use of this product. Users shall observe safe and lawful practices including, but not limited to, those set forth herein.

WF is the trademark of NINGBO WEIFENG IMAGE EQUIPMENT GROUP CO., LTD (hereinafter referred to as "Weifeng") and its subsidiaries. All product names or marks referred to hereunder are trademarks or registered trademarks of their respective holders.

Glossary

The following terms are used throughout the product literature to indicate various levels of potential harm when operating this product.

WARNING: Procedures, which if not properly followed, may incur property damage, grave accident, or serious injury.

CAUTION: Procedures, which if not properly followed, may incur property damage and serious injury.

NOTICE: Procedures, which if not properly followed, may incur property damage or minor injury.

WARNING

This is a sophisticated product. It must be operated with caution and common sense and requires some basic mechanical ability.

Please read the ENTIRE User Guide to become familiar with the features of this product before operating. Failure to operate the product correctly can result in damage to the product or personal property and cause serious injury. This product is not intended for use by children without direct adult supervision. DO NOT use with incompatible components or in any way otherwise as mentioned or instructed in the product documents provided by Weifeng. The safety guidelines herein contain instructions for safety operation and maintenance. It is essential to read and follow all of the instructions and warnings in the User Guide, prior to assembly, setup or use, in order to operate the product correctly and avoid damage or serious injury.

FCC Warning Statement

Changes or modifications not expressly approved by the party responsible for compliance could void the user's authority to operate the equipment.

This equipment has been tested and found to comply with the limits for a Class B digital device, pursuant to Part 15 of the FCC Rules. These limits are designed to provide reasonable protection against harmful interference in a residential installation. This equipment generates uses and can radiate radio frequency energy and, if not installed and used in accordance with the instructions, may cause harmful interference to radio communications. However, there is no guarantee that interference will not occur in a particular installation.

If this equipment does cause harmful interference to radio or television reception, which can be determined by turning the equipment off and on, the user is encouraged to try to correct the interference by one or more of the following measures:

- Reorient or relocate the receiving antenna.
- Increase the separation between the equipment and receiver.
- Connect the equipment into an outlet on a circuit different from that to which the receiver is connected.
- Consult the dealer or an experienced radio/TV technician for help.

Safety Operation Guidelines

CAUTION:

1. Wi-710 is a high-precision control device. Damage may be caused to Wi-710 if it is dropped or subject to external force, and this may result in malfunction.

2. Make sure the rotation of the gimbal axes is not blocked by external force when Wi-710 is turned on.

3. Wi-710 is not waterproof. Prevent contacts of any kind of liquid or cleaner with Wi-710. It is recommended to use soft dry cloth for cleaning.

4. Protect Wi-710 from dust and sand during use.

WARNING:

To avoid fire, serious injury, and property damage, observe the following safety guidelines when using, charging, or storing your batteries.

Battery Safety Guidelines

1. Prevent the product to come into contact with any kind of liquid. Do not leave the product in the rain or near a source of moisture. Do not drop the product into water. If the inside of the battery comes into contact of water, chemical decomposition may occur, potentially resulting in the battery catching on fire, and may even lead to explosion.

2. If the battery falls into water with the stabilizer during use, take it out immediately and put it in a safe and open area. Maintain a safe distance from the battery until it is completely dry. Never use the battery again, and dispose of the battery properly as described in the Battery Disposal section below.

Battery Safety Guidelines

3. If the product catches fire, use water, water spray, sand, fire blanket, dry powder, or carbon dioxide fire extinguisher immediately to put out the fire. Please exting the fire by applying the methods recommended above according to the actual situation.

4. Never use non-Weifeng batteries. If replacement or backup is needed, please purchase new batteries from weifeng's official website or authorized channels. Weifeng takes no responsibility for any damage caused by non-Weifeng batteries.

5. Never use or charge swollen, leaky, or damaged batteries. Never use or charge if the battery smells, or overheats (exceeding maximum temperature of 160°F/71°C). If your batteries are abnormal, contact Weifeng or a Weifeng authorized dealer for further assistance.

6. The battery should be used with the temperature range from -10°C to 50°C. Use the battery in environments above 50°C can lead to a fire or explosion. Use of battery below -10°C can lead to serious battery damage.

7. Do not use the battery in strong electrostatic or electromagnetic environments. Otherwise, the battery protection board may malfunction.

8. Do not disassemble or use any sharp object to puncture the battery in any way. Otherwise, the battery may leak, catch fire or explode.

9. Do not mechanically strike, crush, or throw the product. Do not place heavy objects on the product.

10. Electrolytes inside the battery are highly corrosive. In case of accident contact of any electrolytes with your skin or eyes, rinse immediately with water for at least 15 minutes and seek medical advise as soon as possible.

11. Do not use the battery if it has been involved in a crash or heave impact.

12. Do not heat the product and never put the product in a microwave oven or in a pressurized container.

13. Do not place the battery cell on a conductive surface (such as a metal desk surface).

14. Prevent use of wires or other metal objects that could cause positive and negative short-circuit to the battery.

Battery Safety Guidelines

15. If the battery terminal is dirty, wipe it with a clean, dry cloth. Otherwise it will cause a bad battery connection, which may result in energy loss or charging failure.

Battery Charging

1. Do not attach the batteries to a wall outlet or car charger socket directly. Always use a Weifeng approved adapter for charging. Weifeng takes no responsibility if the battery is charged using a non-Weifeng charger.
2. Do not put the battery and charger near flammable materials or on flammable surfaces (such as carpet or wood). Never leave the battery unattached during charging to prevent any accident.
3. Do not charge the battery immediately after use, because the battery temperature may be too high. Do not charge the battery until it cools down to normal room temperature. Charging the battery with its temperature over 40°C or lower than -15°C may lead to leakage, overheating, or damage.
4. Examine the charger before use, make sure there is no damage to the enclosure, cord, plug, or other parts. Never use a damaged charger. Do not clean the charger with any liquid containing alcohol or other flammable solvents. Disconnect the charger when not in use.

Battery Storage

1. Keep batteries out of the reach of children and pets.
2. Do not leave the product near heat sources such as a furnace or heater, or inside of a vehicle on hot days. Never expose the product in any environment with temperature of over 60°C. The ideal storage temperature is 22°C-28°C.
3. Store batteries in a dry environment.
4. Do not leave the battery unused for too long after it has been completely discharged

Battery Storage

to prevent over-discharge of battery which may result in battery damage and permanent failure.

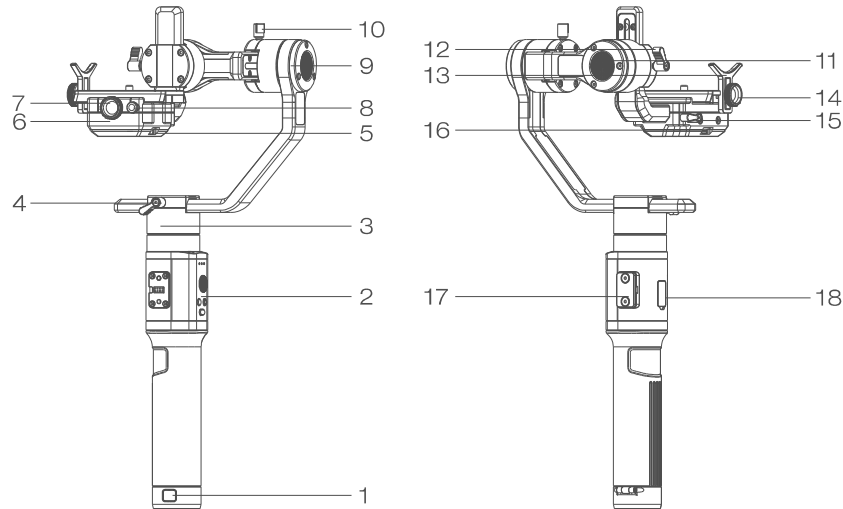
Battery Maintenance

1. Never use the battery when the temperature is too high or too low.
2. Do not store the battery in any environment with a temperature of over 60°C.

Battery Disposal

Dispose of the battery in specific recycling boxes only after a complete discharge. Do not put away the battery in regular trash containers. Strictly follow your local regulations regarding the disposal and recycling of batteries.

3-Axis Camera Stabilizer



- 1. Battery compartment button
- 2. Control Panel (see more on Page 13)
- 3. Pan Axis Motor
- 4. Pan Axis Thumb Screw
- 5. Camera Control Interface
- 6. Camera Platform
- 7. Mounting Plate Thumb Screw
- 8. Safety Lock
- 9. Roll Axis Motor
- 10. Roll Axis Thumb Screw
- 11. Tilt Axis Motor
- 12. Tilt Axis Thumb Screw
- 13. Lens Support
- 14. Thumb Screw
- 15. Plate Base Thumb Screw
- 16. Type-C Expansion Port
- 17. Expansion Port
- 18. Type-C Firmware Upgrade Port

Wi-710 Interface Description

Port	Output Voltage	Output Current	Function	Note
Type-C Firmware Upgrade port	\	\	The Type-C Firmware Upgrade port can only be used for firmware upgrade, and can neither be used for power input nor output	\
Type-C Expansion Port	8V	2A	The Type-C Expansion Port can be used for charging Follow Focus Motor and cameras like Canon 5D series (Accessories like Follow Focus will continue to be updated)	\
Camera Control Interface	5V	1A	1. The camera control interface is connectable to camera control cable (see more on page 15- Weifeng Camera Control Cable Description) 2. It can also be used as a USB charging port for Sony mirrorless cameras.	Canon, Nikon and Panasonic cameras do not support USB charging.

Charging the Batteries

For the first use of Wi-710, please use the dedicated charging device contained in the package to fully charge and activate the batteries to ensure the normal use of the product.

Charger & Battery Description

Charger Specifications

Name: 18650*4 Li-ion battery charger

Model: HZC4L-2000

Input: 5V---2000mA

Output: 4.2V----400mA*4

- Shines solid RED light when charging.
- Shines GREEN light when fully charged.

Battery Specifications

Name: 18650 Li-ion battery

Model: 18650

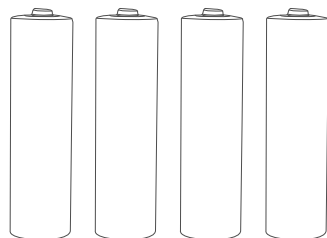
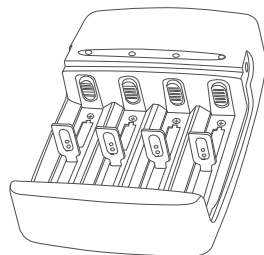
Capacity: 2200mAh

Voltage: 3.7V

Notice:

1. Please read the disclaimer and warning herein as well as the description on the battery label carefully before using the batteries.
2. The HZC4L-2000 charger is for charging Weifeng's 18650 Li-ion Battery only. Do not charge batteries of other models or brands, otherwise it may lead to accident.

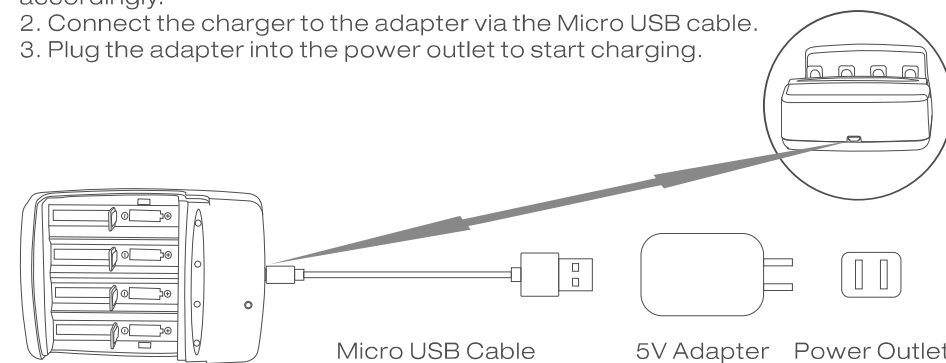
Please use and charge batteries provided or approved by Weifeng only. Weifeng will not take any responsibility for explosion, fire and/or accidents caused by non-Weifeng batteries.



Charging the Batteries

Charging Procedure

1. Insert the batteries into the charger in the right direction (positive/negative end) accordingly.
2. Connect the charger to the adapter via the Micro USB cable.
3. Plug the adapter into the power outlet to start charging.

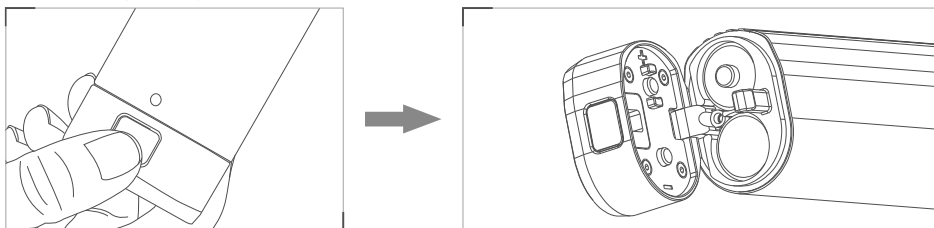


1. Due to different chargers, the charging may fail when the power is under charged (like when the current of adapter is below 1000mA); Adapter with higher current capacity is recommended;
2. The USB port along side the stabilizer does not support charging to batteries.

1. Please use qualified standard 5V/≥2000mA adapter for battery charging; Charging time depends on the maximum output current of the adapter.
2. The stabilizer comes standard with high-discharge-rate dedicated batteries. Please use and charge batteries provided or approved by Weifeng only.
3. Please make sure all four batteries are fully charged. Either under charged battery can lead to the failure of the stabilizer.

Battery Installation

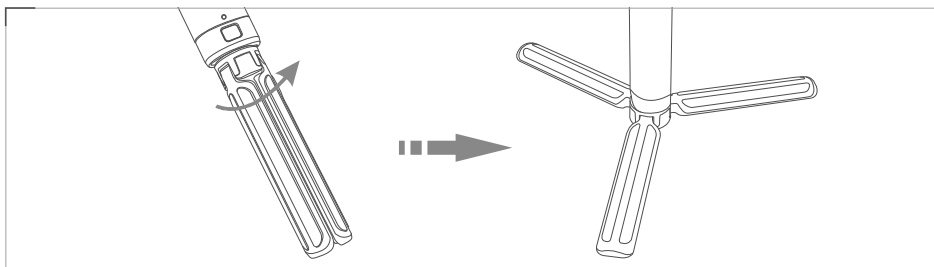
Open the battery compartment by pressing the button at the bottom and insert the four 18650 batteries in the right direction (positive/negative end), then close the battery compartment.



Please use and charge batteries provided or approved by Weifeng only, in case of accidents.

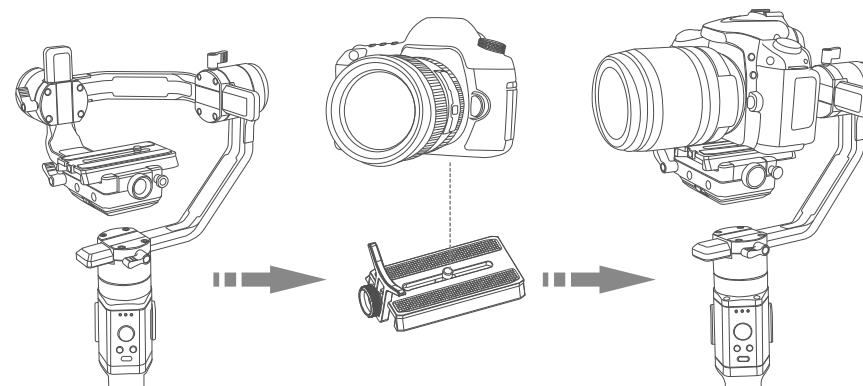
Tripod

Get the tripod ready and tighten it to the 1/4"-3/8" threaded hole at the bottom of the stabilizer, then unfold the tripod on a flat surface.



Installing Camera

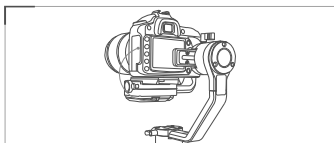
1. Loosen the mounting plate thumb screw, press and hold the safety lock while sliding out the quick release plate.



2. Install the camera to the quick release plate as shown in the figure, then tighten the 1/4" screw at the bottom.
3. Slide in the quick release plate installed with the camera, then tighten the thumb screw to finish the installation of the quick release plate.
4. Loosen the screw on lens support and adjust the support to keep the lens firm and stabilized, then tighten the screw.
(Lens support needs to be installed when the lens is longer and heavier)

Do not power on the stabilizer before finishing the camera installation; Please hold the camera with one hand when powering on the stabilizer in case of malfunctioned rotation.

Connecting Camera Control Cable



In the case of Canon camera(see more on Page 27--Camera Setting Screen), connect the control cable to the port on the camera platform with the Mini USB end, and then the other end to the left-side port on the camera.

Please make sure the stabilizer is powered off or in standby mode when connecting the camera control cable in case of malfunctioned rotation.

Weifeng Camera Control Cable Description

Camera brand	Canon	Sony	Panasonic
Camera model	Canon EOS cameras with Mini USB interface	Sony camera with	GH3/GH4/GH5
Camera Control Cable model	Mini-001	MULTI-001	CTIA-001
Camera Control Cable interface	Mini USB (10 pin) to Mini USB(5 pin)	Mini USB (10 pin) to MULTIUSB	Mini USB (10 pin) to CTIA USB
Photo	√	√	√
Video	√	√	√
Auto Focus	√	√	√

Currently Supported camera models: Canon: 5D2, 5D3, 80D,6D,6D2;
Sony: RX100M5,A6500,A7S,A7S2,A7R,A7R2,A7R3,A7M3,A9.

*Some cameras may fail to take pictures due to slow or failing focusing in complex environments such as weak light, manual focus mode is recommended when using camera control function.

*When using the camera control function, it is recommended to turn off the camera's automatic view (SONY) or image recognition (Canon) and other functions to reduce the system delay.

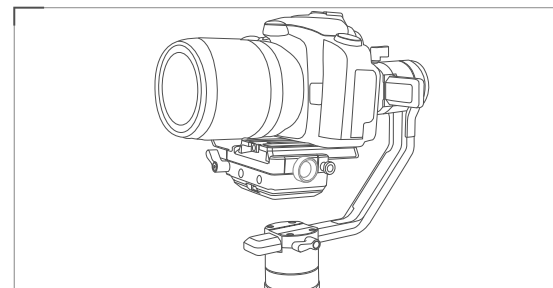
*Before using the camera control function, please select the correct camera mode in APP for the stabilizer.

*To ensure that the stabilizer correctly identifies the camera, power on the stabilizer first after the Camera Control Cable is connected, then power on the camera.

*The time interval of start and stop recording controlled by the gimbal is 1 second.

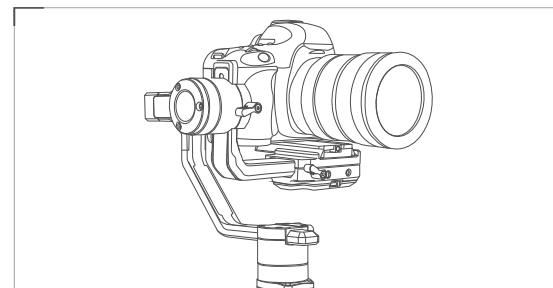
Please make sure the camera is properly mounted and balanced, otherwise the stabilizer may fail to start or operate normally.

Level Adjustment on Tilt Axis



Loosen the thumb screw on the quick release plate so that it can slide forward or backward.

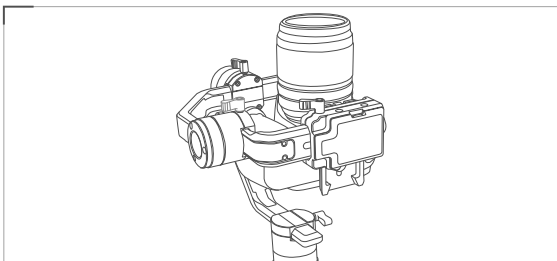
Level Adjustment on Tilt Axis



Hold the horizontal arm on the tilt axis with one hand and adjust the position of the camera to find a level balance where the camera can stay still and almost level with its lens facing front, complete this step by tightening up the camera mounting thumb screw.

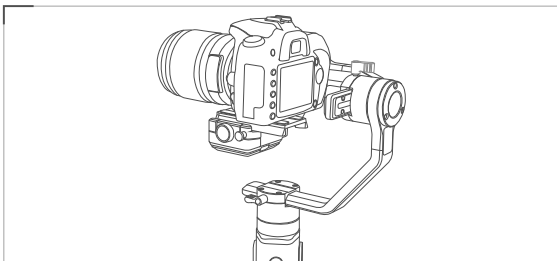
The balance status of the stabilizer will greatly affect the run time. If the camera blocks the thumb screw, the thumb screw can be pulled out and then rotate.

Balance Adjustment on Tilt Axis



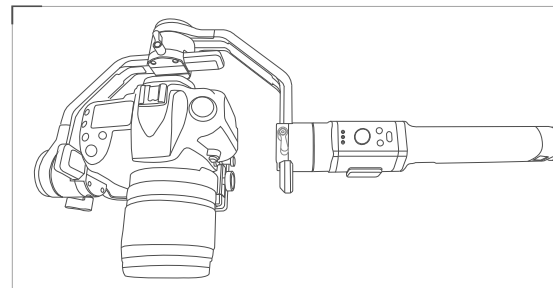
Loosen the thumb screw ; Adjust the tilt axis until the camera can stay still with the lens facing up (i.e. the camera stays still and vertical to the ground), complete this step by tightening up thumb screw.

Balance Adjustment on Roll Axis



Loosen the thumb screw on the roll axis. Adjust the roll axis until the camera can stay still while keeping the horizontal arm level. Complete this step by tightening up thumb screw.

Balance Adjustment on Pan Axis



Loosen the thumb screw on the pan axis. Adjust the pan axis until the camera can stay still while keeping the vertical arm level when turned to the right/left side. Complete balance adjustment by tightening up all thumb screws.

If the camera installed is too light that it's impossible to achieve balanced adjustment, you can install the heighten plate on the mounting plate to finish balance installation.

