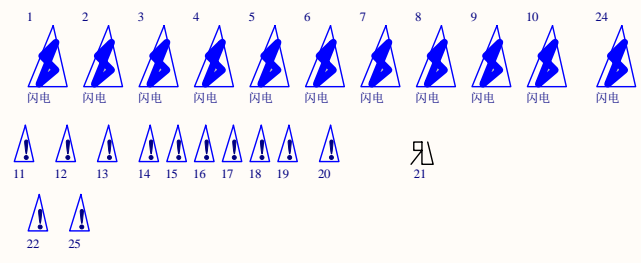
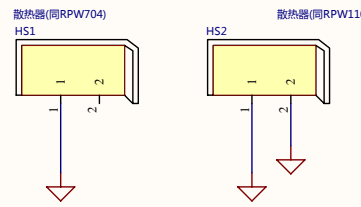
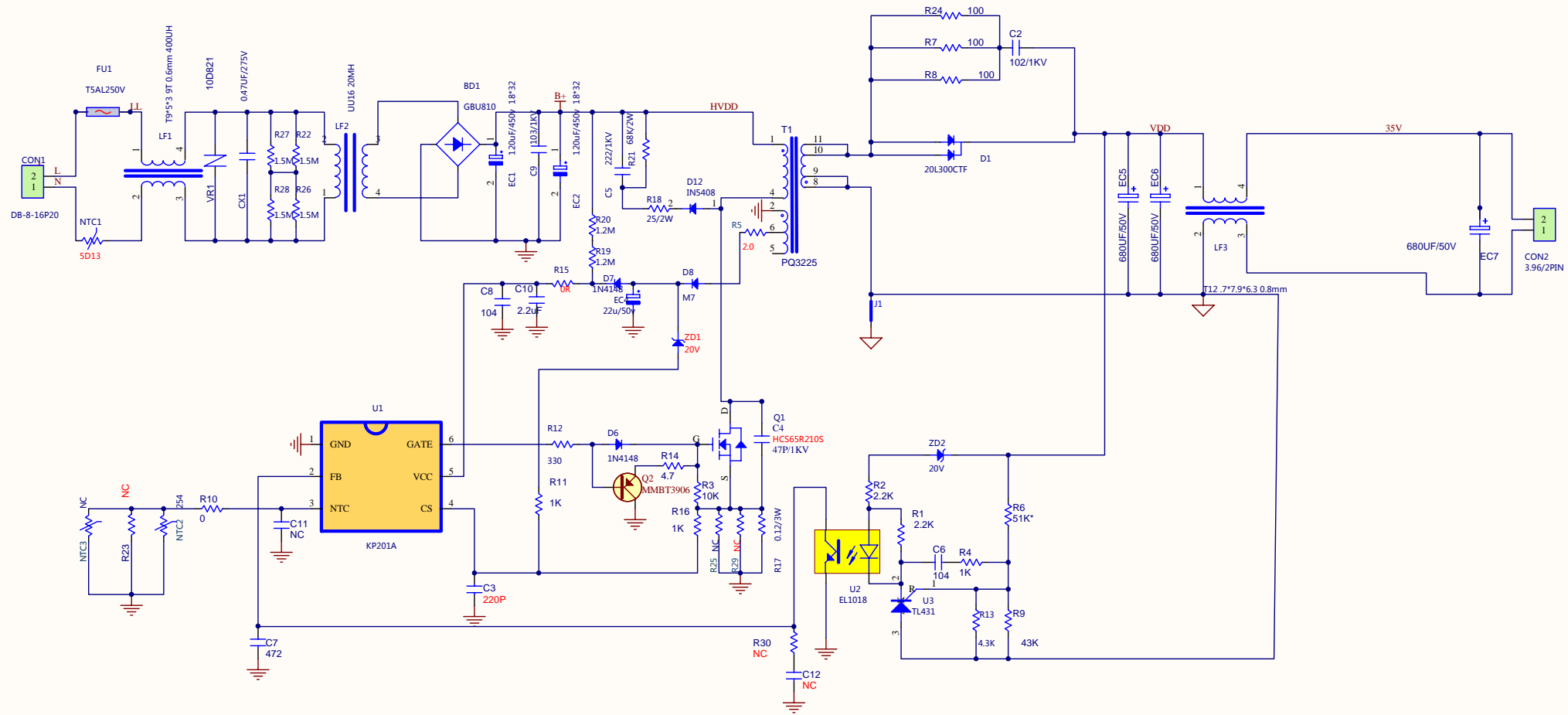


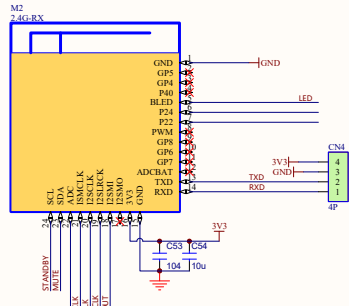
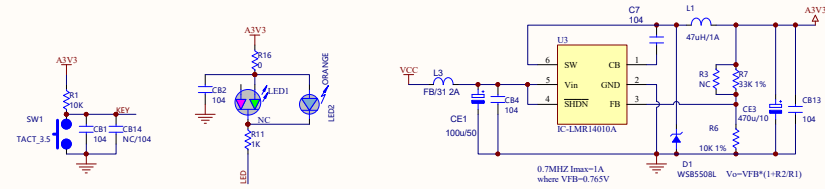
Remark : This released drawing was produced by computer.
Do not update by hand work.



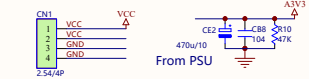
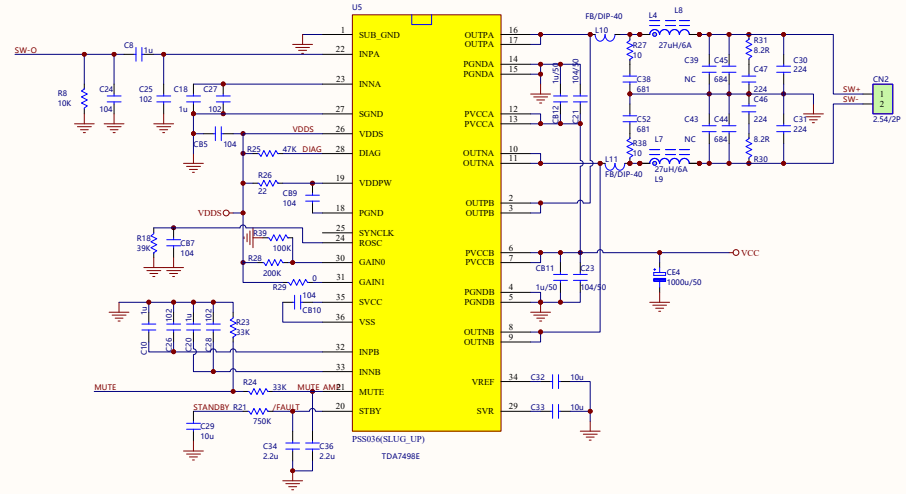
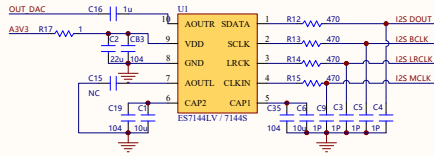
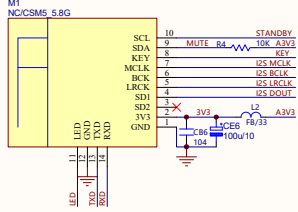
Cannot open file D:\My design\RSR\机密文件.jpg

Cannot open file D:\My design\RSR\logo常用形式-5.png				Model No: RPW709B REV.0.2	
DATE	Ver	Modify summary	Drawn by	Approved by	
2020-07-3	V0.1	NA	DK.C	JH.X	

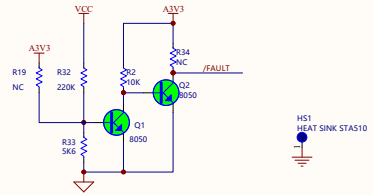
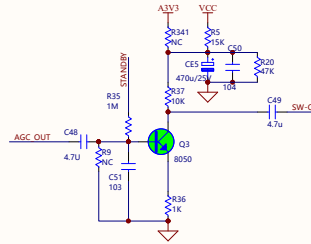
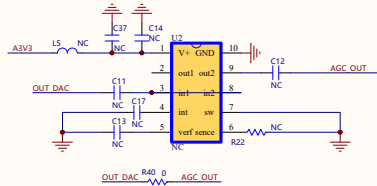
Remark: This released drawing was produced by computer.
Do not update by hand work.



To Wireless module



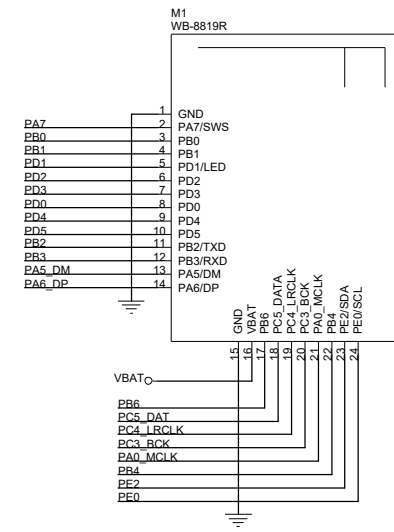
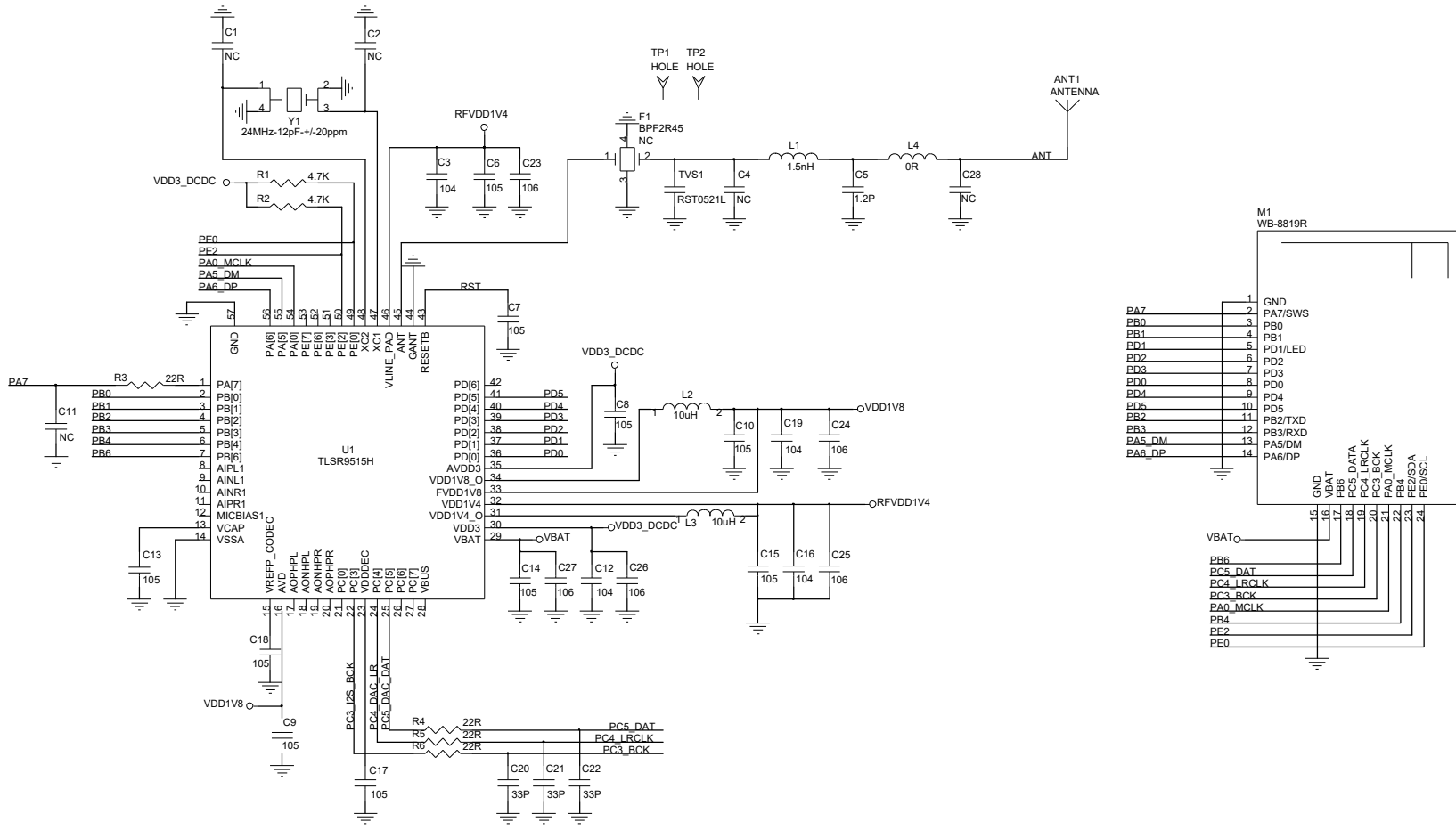
From PSU



产品要求
REQUIRED
所有材料符合RoHS和REACH法规指令，有害物质符合采购合同的HSF要求

RSR机密文件

RSR 中山市悦辰电子实业有限公司 Zhongshan Yuechen Electronics Industrial Ltd.					Model No:
DATE	Ver	Modify summary	Drawn by	Approved by	
2020.04.29	V1.1			JH.X	



Title		
TELINK		
Size	Document Number	Rev
A3	WB-8819R	0.1
Date:	Saturday, August 14, 2021	Sheet 2 of 2