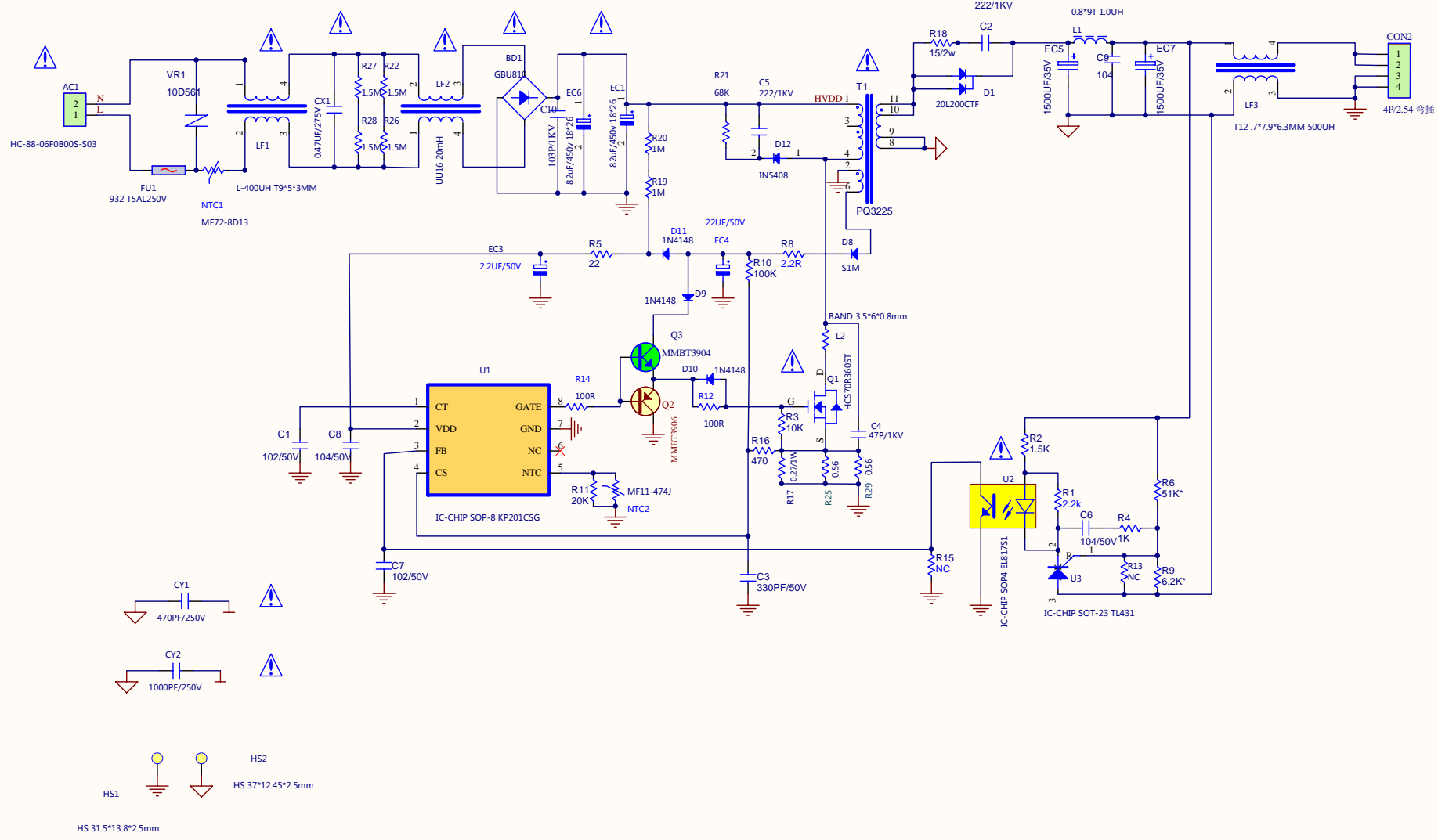


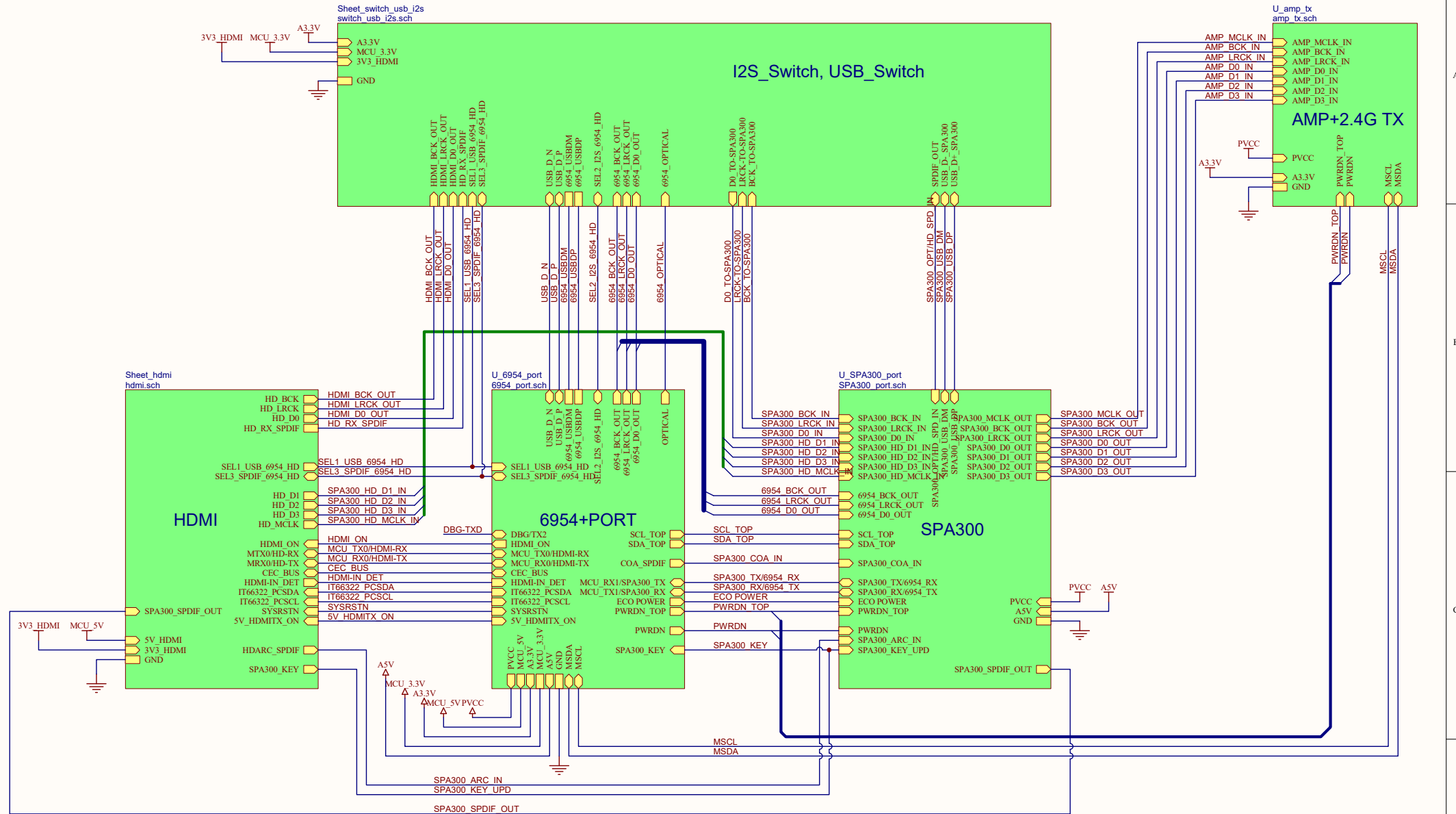
Remark : This released drawing was produced by computer.
Do not update by hand work.



Cannot open file D:\My design\RSR\logo常用形式-5.png				Model No: RPW701 REV1.3 A2	
DATE	Ver	Modify summary	Drawn by	Approved by	
2020-10-25	V0.5	NA	DK.C	JH.X	

Cannot open file D:\My design\RSR\机密文件.jpg

Remark : This released drawing was produced by computer.
Do not update by hand work.



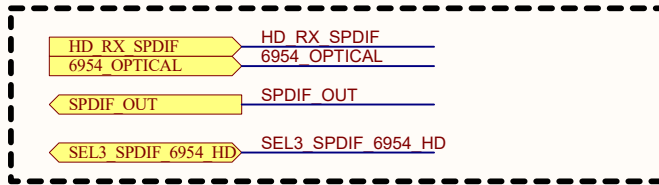
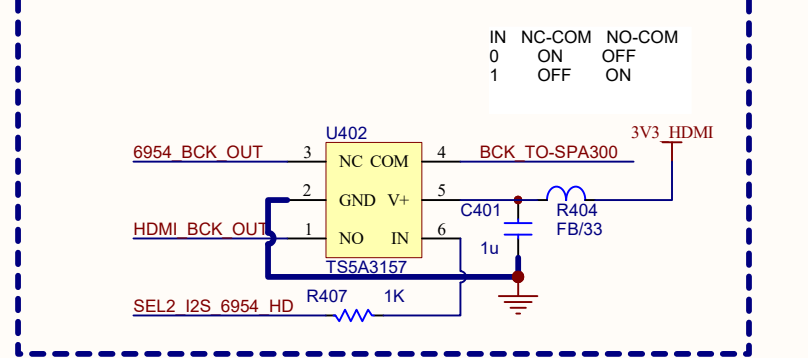
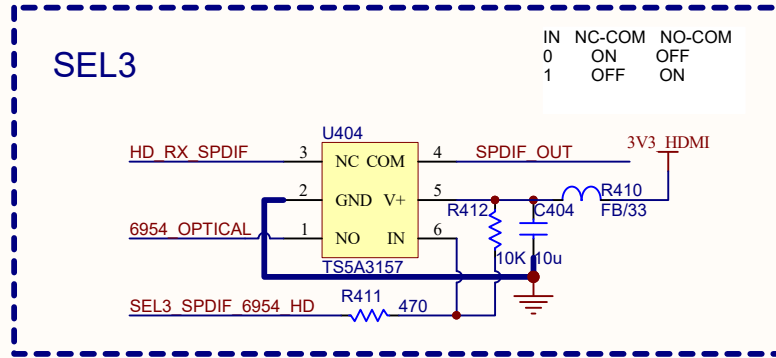
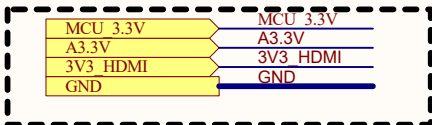
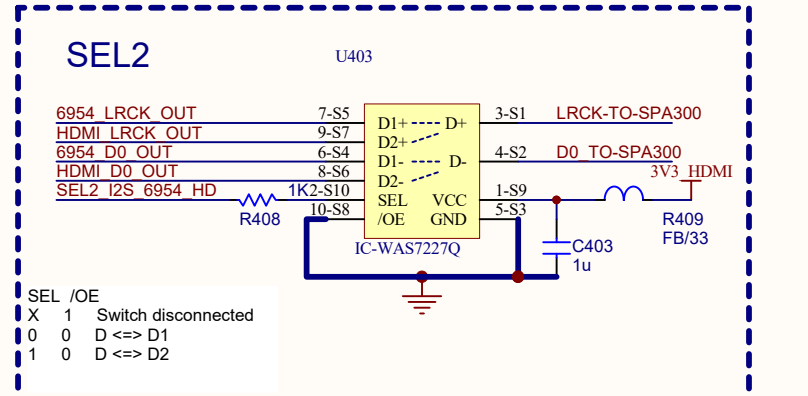
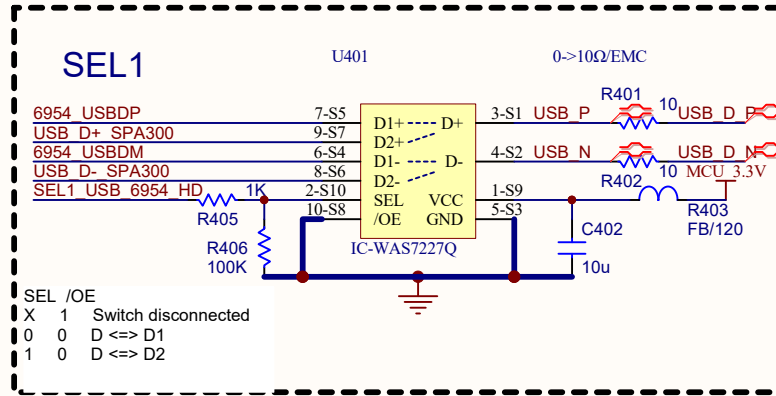
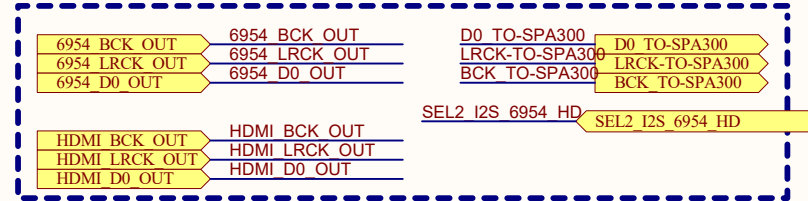
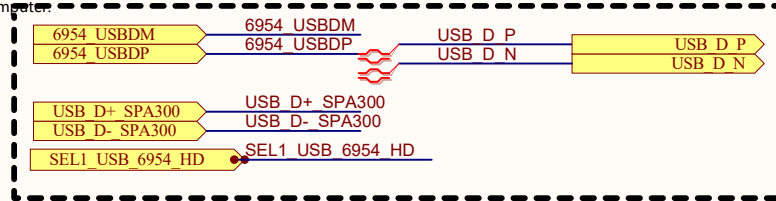
产品要求 REQUIRED
所有材料符合RoHS和REACH法规指令, 有害物质符合采购合同的HSF要求

RSR机密文件

RSR 中山市悦辰电子实业有限公司 Zhongshan City Richsound Electronic Industrial Ltd.				Model No:
DATE	Ver	Modify summary	Drawn by	Approved by
2021-08-09	0.1	NA		JH.X

Remark : This released drawing was produced by computer.

Do not update by hand work.



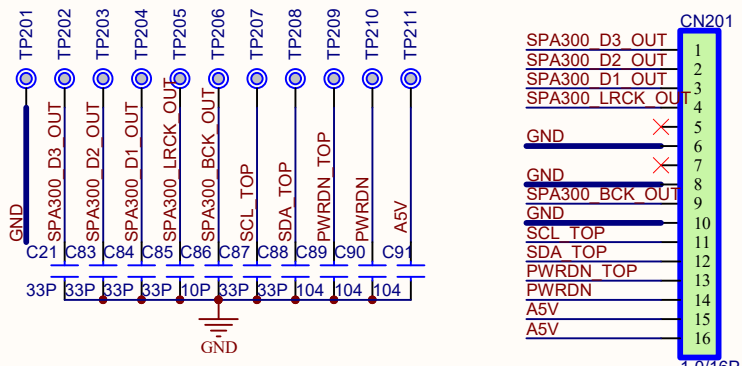
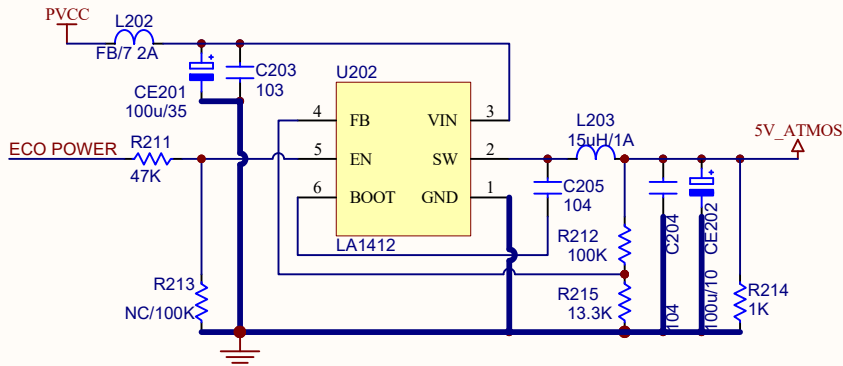
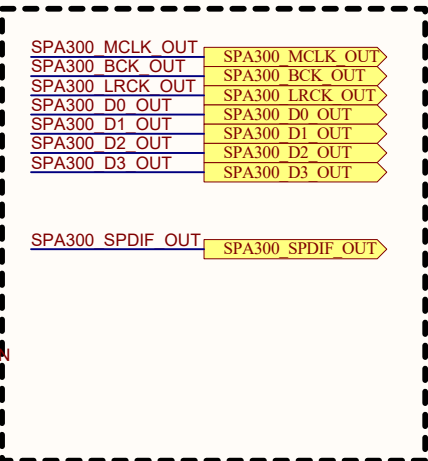
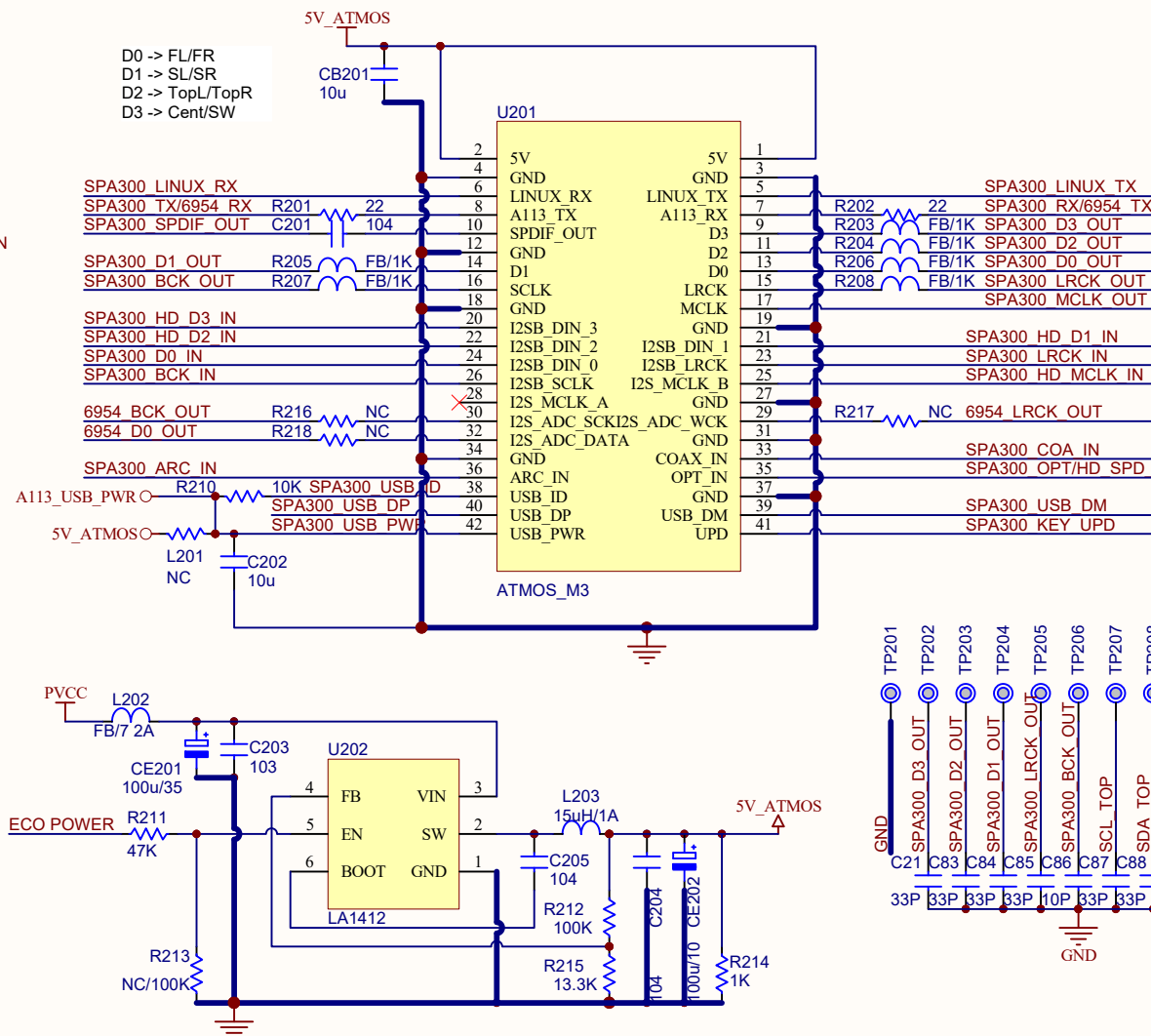
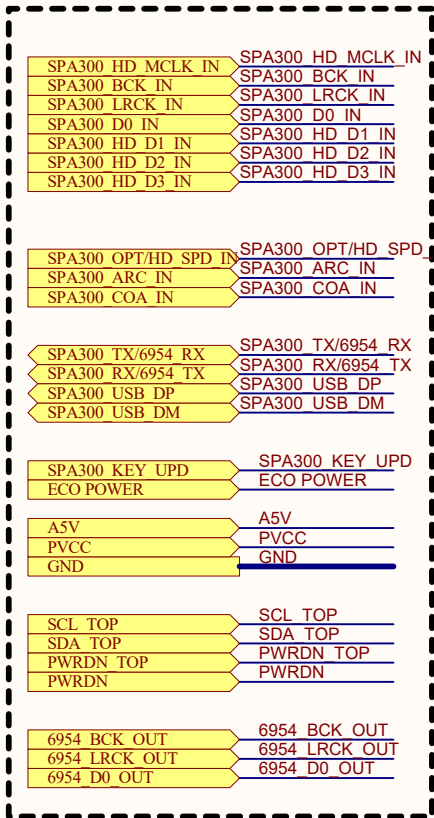
RSR ® 中山市悦辰电子实业有限公司 Zhong Shan City Richsound Electronic Industrial Ltd		Model No:		
DATE	Ver	Modify summary	Drawn by	Approved by
2020-06-14	0.1	NA		JH.X

RSR机密文件

产品要求
REQUIRED

所有材料符合RoHS和REACH法规指令, 有害物质符合采购合同的HSF要求

Remark : This released drawing was produced by computer.
Do not update by hand work.



RSR® 中山市悦辰电子实业有限公司
 Zhong Shan City Richsound Electronic Industrial Ltd

Model No:

产品要求
 REQUIRED

所有材料符合RoHS和REACH法规指令，有害物质符合采购合同的HSF要求

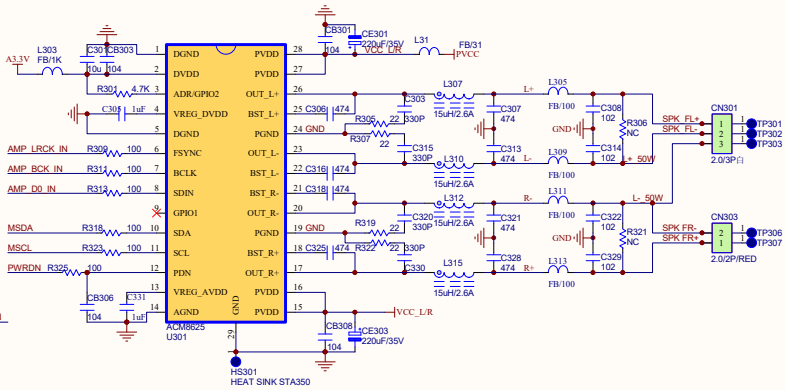
RSR机密文件

DATE	Ver	Modify summary	Drawn by	Approved by
2021-08-09	0.1	NA		JH.X

Remark: This released drawing was produced by computer.
Do not update by hand work.

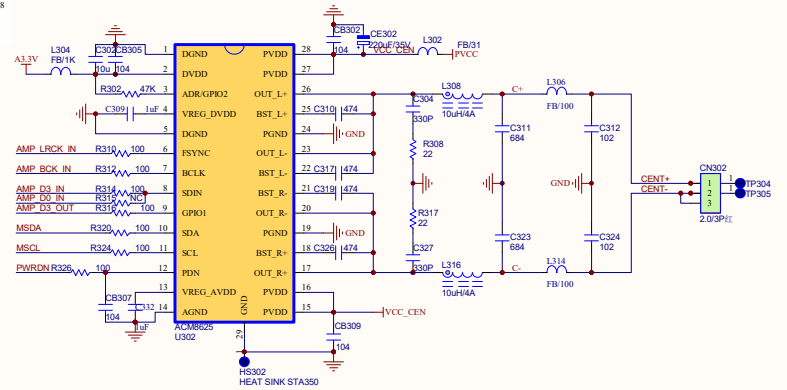
L/R AMP

Device Address
R=4K7 -> ADDR0_0x58
R=15K -> ADDR1_0x5a
R=47K -> ADDR2_0x5c
R=120K -> ADDR3_0x5e

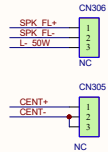
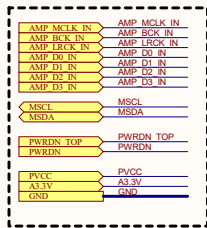


Center AMP

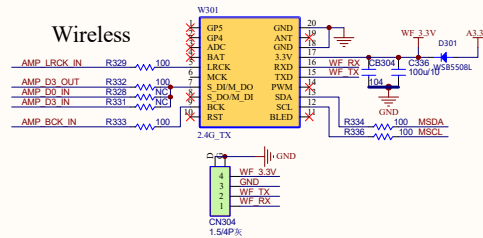
Device Address
R=4K7 -> ADDR0_0x58
R=15K -> ADDR1_0x5a
R=47K -> ADDR2_0x5c
R=120K -> ADDR3_0x5e



D0 -> FL/FR
D1 -> Surround
D2 -> TopL/TopR
D3 -> CentSW



Wireless



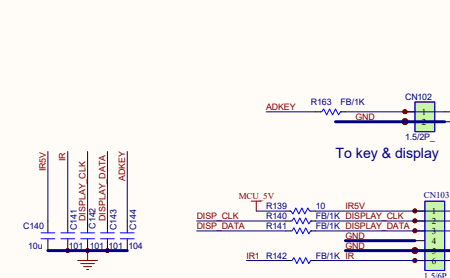
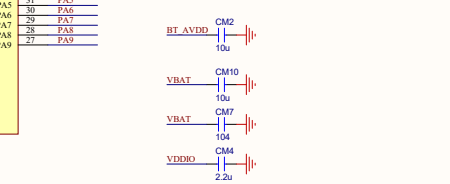
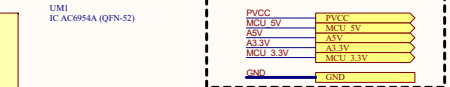
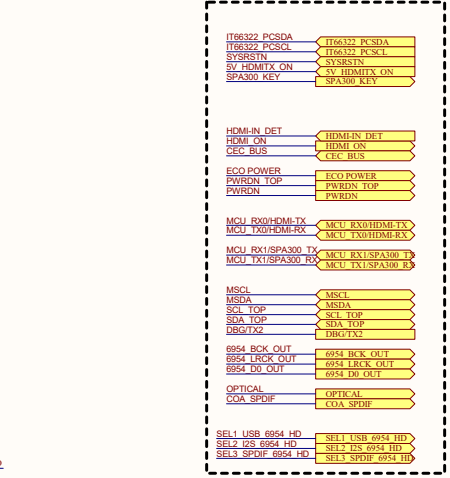
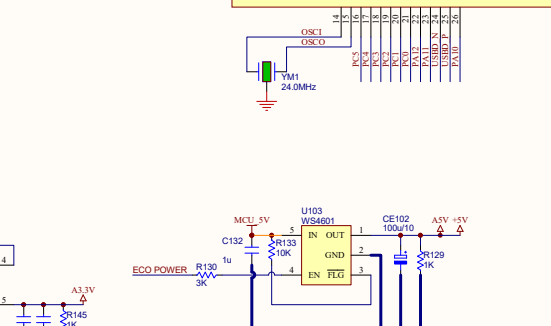
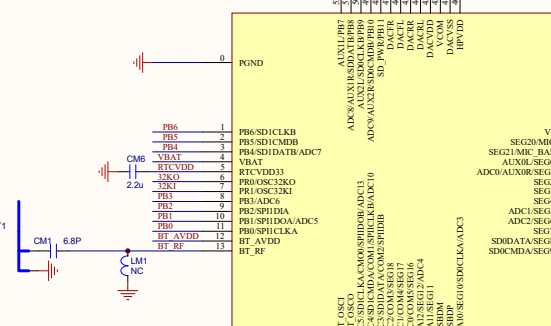
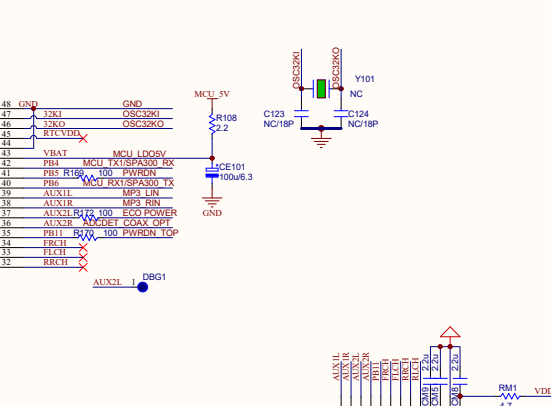
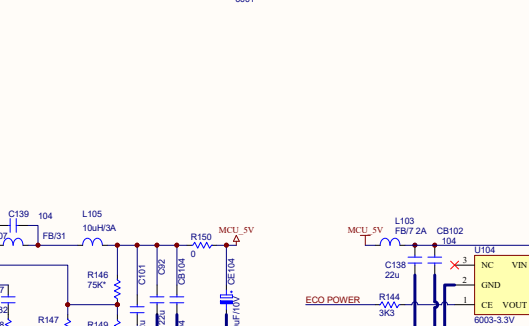
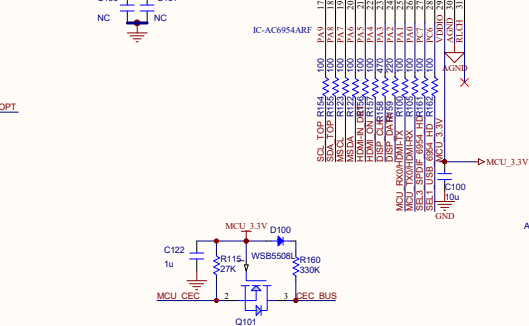
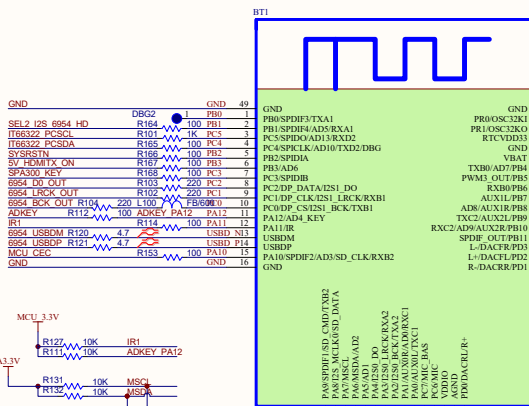
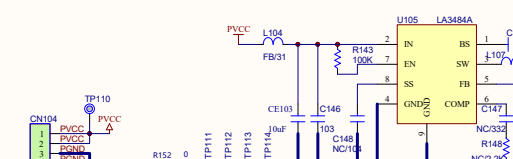
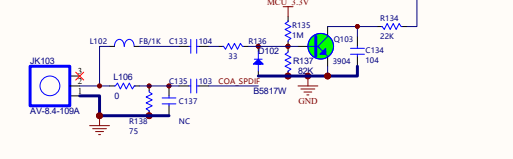
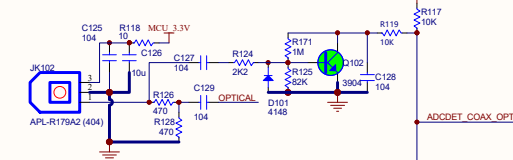
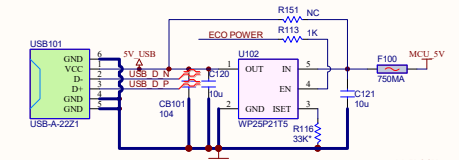
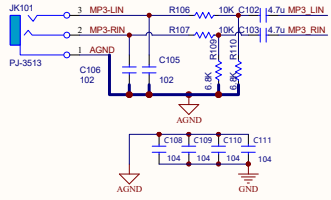
产品要求
REQUIRED
所有材料符合RoHS和REACH法规指令，有害物质符合采购合同的HSF要求

RSR机密文件

RSR 中山市悦辰电子实业有限公司 Zhongshan Yuechen Electronics Industrial Ltd.				Model No:	
DATE	Ver	Modify summary	Drawn by	Approved by	
2021-08-09	0.1	NA		JH.X	

Remark: This released drawing was produced by computer.
Do not update by hand work.

K101



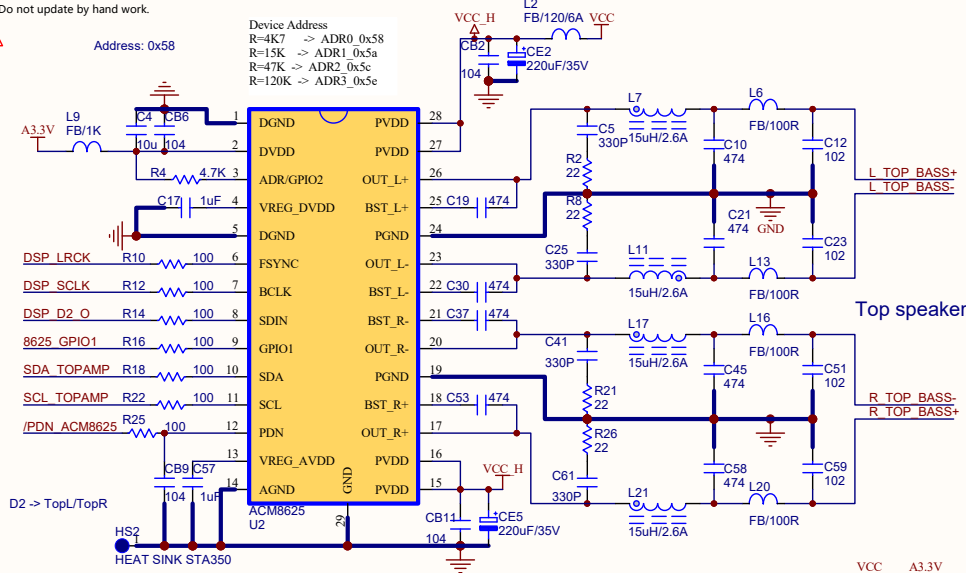
RSR 中山市悦辰电子实业有限公司				Model No:	
DATE	Ver	Modify summary	Drawn by	Approved by	
2021-08-09	0.1	NA		JH.X	

RSR机密文件

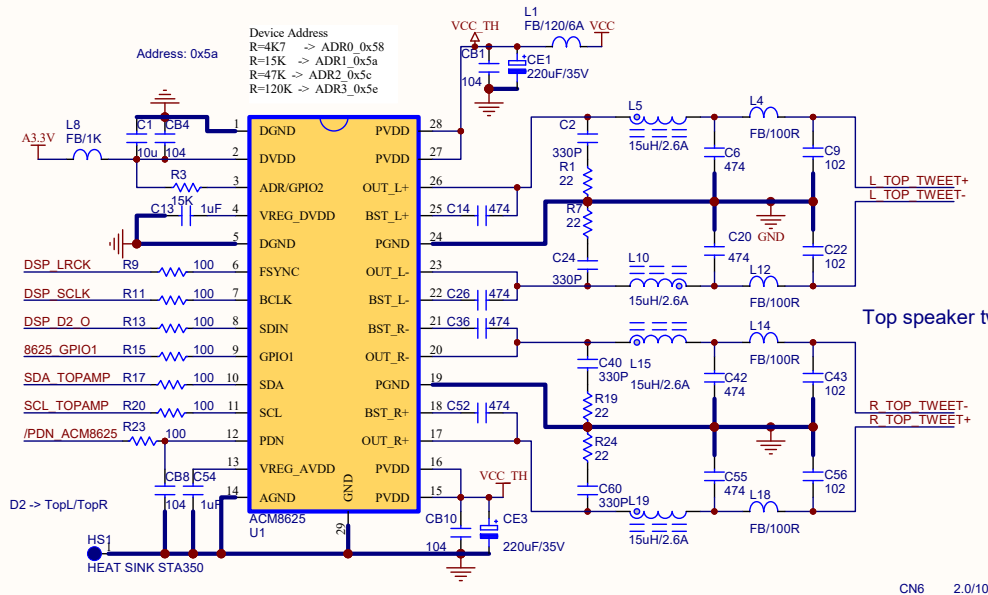
Remark: This released drawing was produced by computer.

K1 Do not update by hand work.

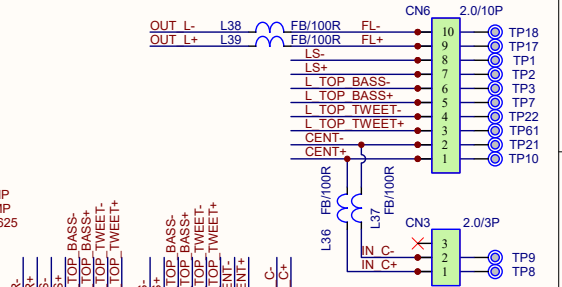
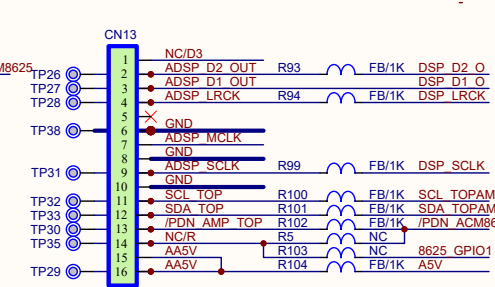
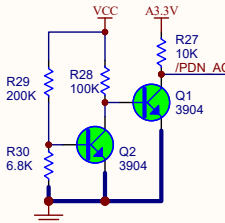
Device Address
 R=4K7 -> ADR0_0x58
 R=15K -> ADR1_0x5a
 R=47K -> ADR2_0x5c
 R=120K -> ADR3_0x5e



Top speaker

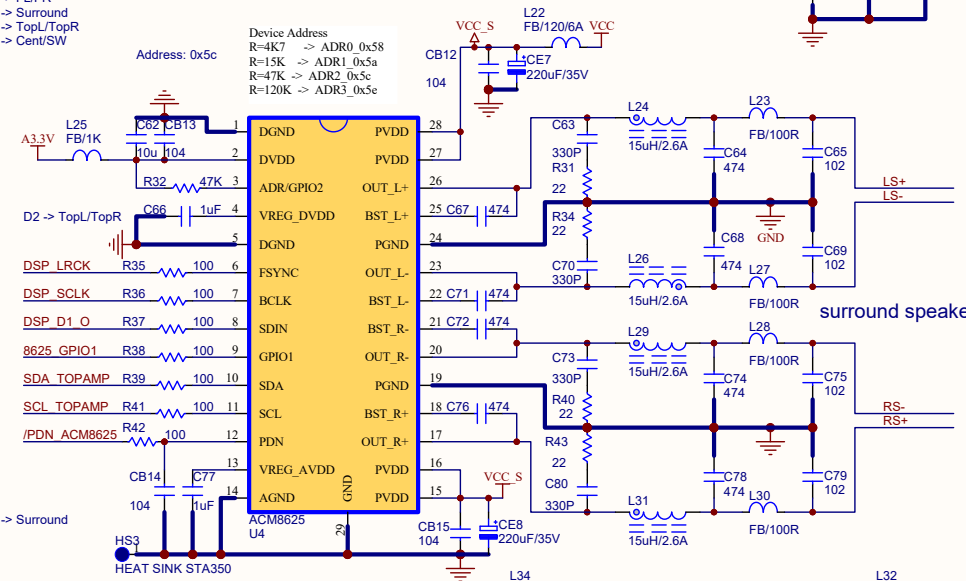


Top speaker tweet

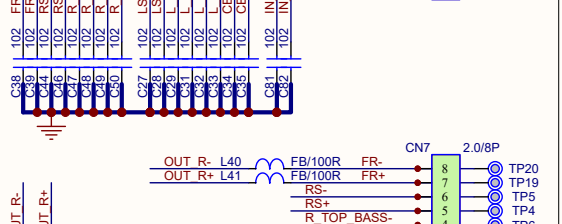
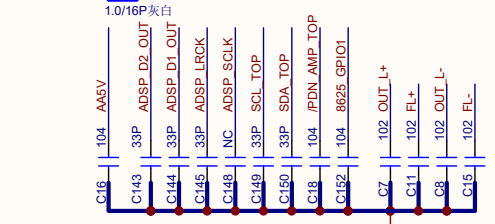


D0 -> FL/FR
 D1 -> Surround
 D2 -> TopL/TopR
 D3 -> CentL/SW

Device Address
 R=4K7 -> ADR0_0x58
 R=15K -> ADR1_0x5a
 R=47K -> ADR2_0x5c
 R=120K -> ADR3_0x5e

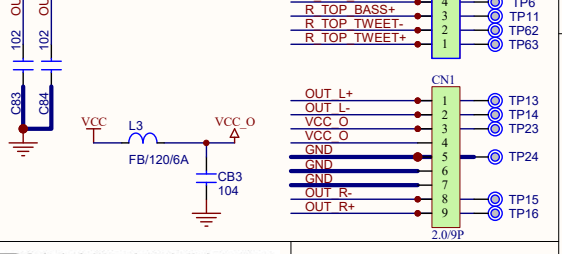
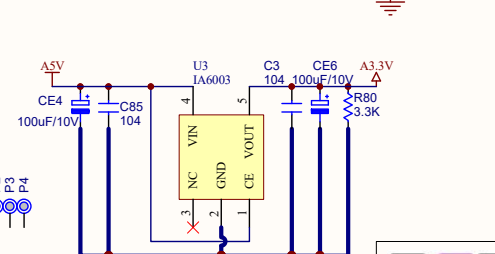
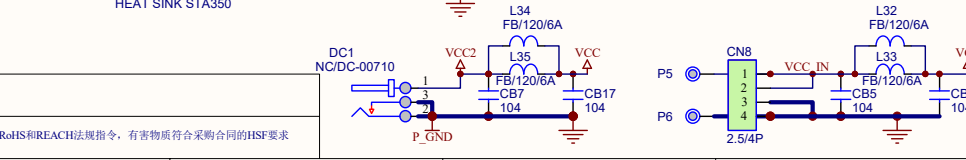


surround speaker



D1 -> Surround

Device Address
 R=4K7 -> ADR0_0x58
 R=15K -> ADR1_0x5a
 R=47K -> ADR2_0x5c
 R=120K -> ADR3_0x5e



产品要求
 REQUIRED
 所有材料符合RoHS和REACH法规指令，有害物质符合采购合同的HSF要求

RSR机密文件

RSR 中山市悦辰电子实业有限公司 Zhong Shan City Yuechen Electronic Industrial Ltd.		Model No:		
DATE	Ver	Modify summary	Drawn by	Approved by
2021.11.11	1.0	NA	yyy	JH.X

1

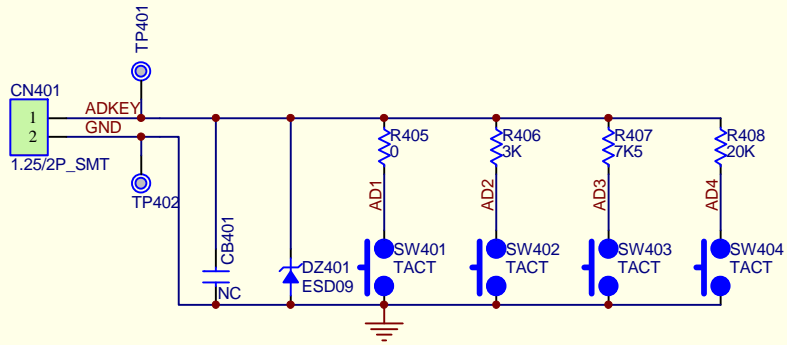
2

3

4

Remark : This released drawing was produced by computer.
Do not update by hand work.

DATE	S/N	Modify summary	Revise	Drawn by	Approved by



RSR机密文件

Material:	Title:	
	Model No:	
	Part No:	
Finish:	Doc No:	
Sheet 1 of 1		

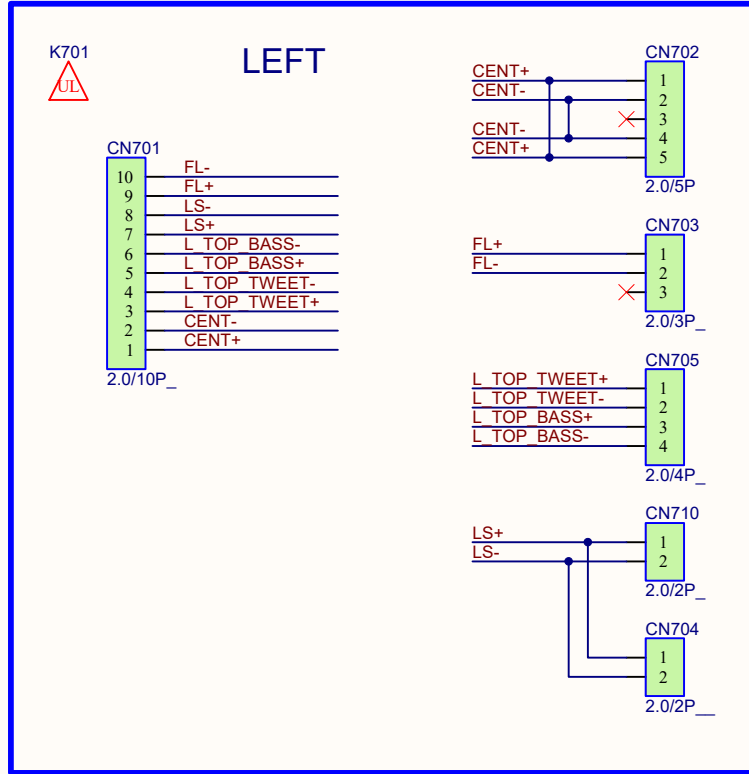
1

2

3

4

Remark : This released drawing was produced by computer.
Do not update by hand work.



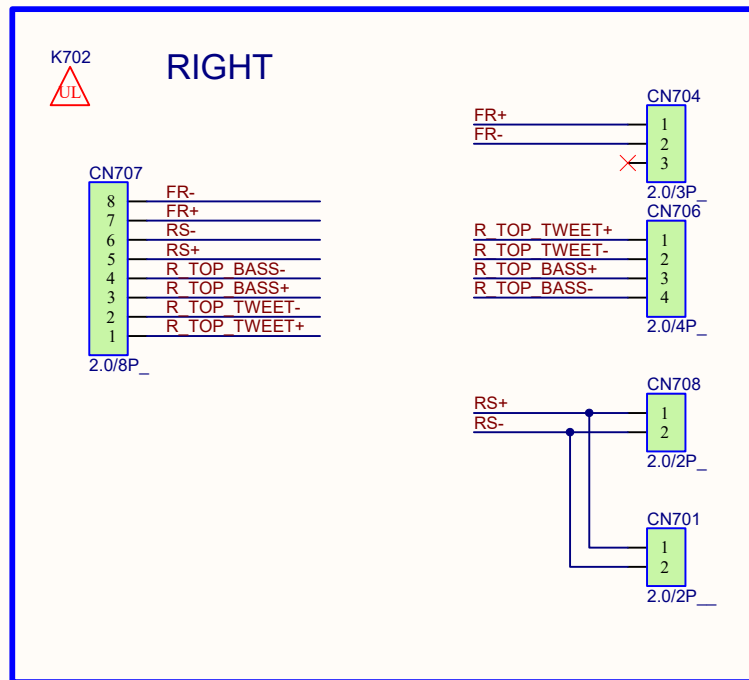
产品要求
REQUIRED

所有材料符合RoHS和REACH法规指令，有害物质符合采购合同的HSF要求

RSR机密文件

RSR ® 中山市悦辰电子实业有限公司 Zhong Shan City Richsound Electronic Industrial Ltd			Model No:	
DATE	Ver	Modify summary	Drawn by	Approved by
2018-3-29	1.1	NA		JH.X

Remark : This released drawing was produced by computer.
Do not update by hand work.

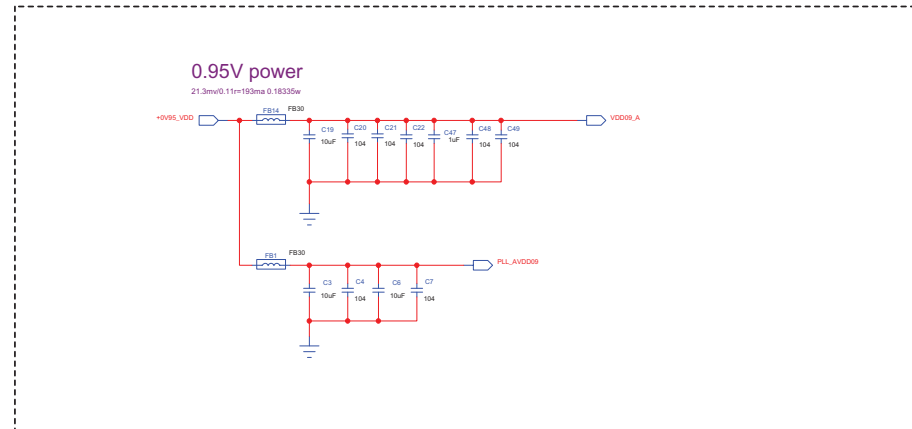
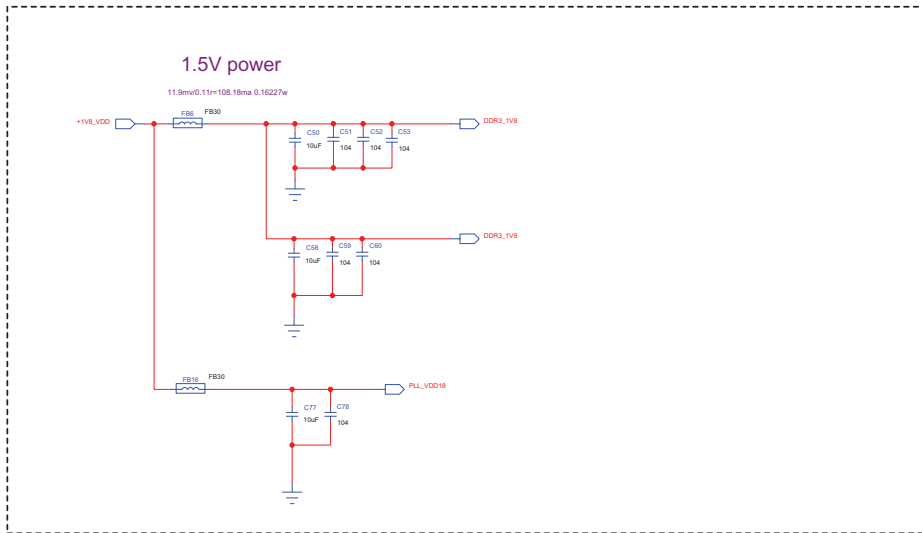
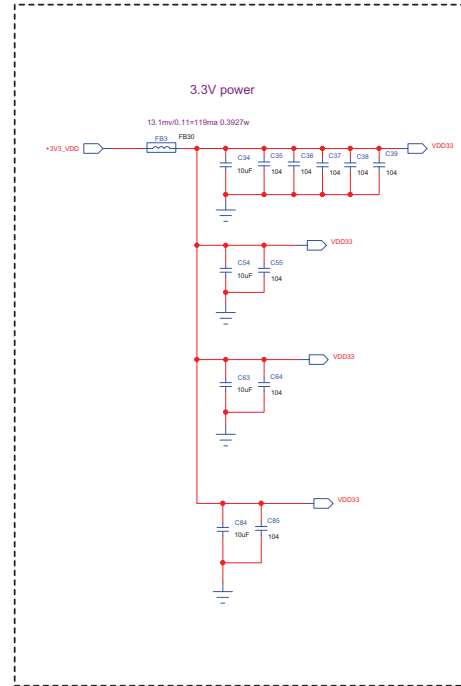
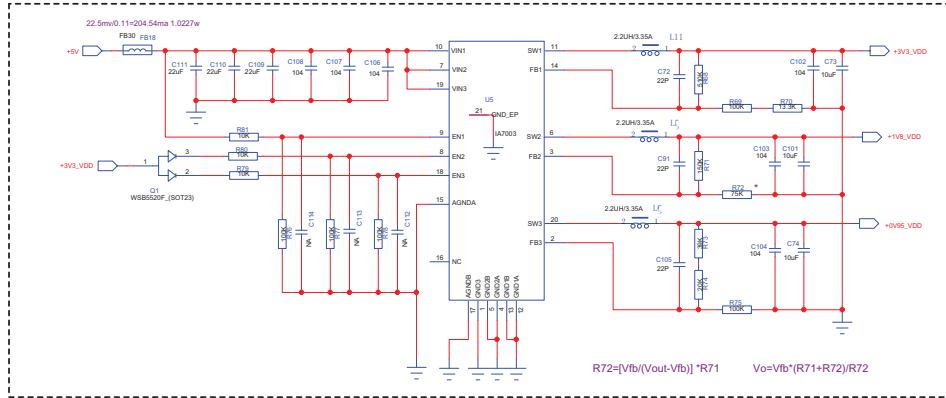


产品要求 REQUIRED
所有材料符合RoHS和REACH法规指令, 有害物质符合采购合同的HSF要求

RSR机密文件

RSR ® 中山市悦辰电子实业有限公司 Zhong Shan City Richsound Electronic Industrial Ltd			Model No:	
DATE	Ver	Modify summary	Drawn by	Approved by
2018-3-29	1.1	NA		JH.X

Remark : This released drawing was produced by computer
Do not update by hand work.



产品要求
REQUIRED

所有物料必须符合 RoHS、REACH 法规指令，有害物质符合采购合同的HSF要求。
All materials must comply with RoHS, REACH regulations, hazardous substances in accordance with the purchase contract HSF requirements.

RSR机密文件

RSR 中山市悦辰电子实业有限公司 Zhong Shan City Richsound Electronic Industrial Ltd			Model No: SPA300	
DATE	Revise	Modify summary	Drawn by	Approved by
2021-03-20	V0.1	NA	JP. Deng	JH. Xiao

Remark : This released drawing was produced by computer
Do not update by hand work.

SPA300_Block Diagram

