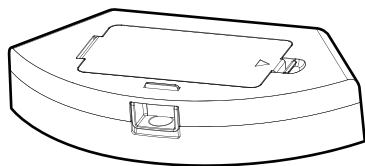
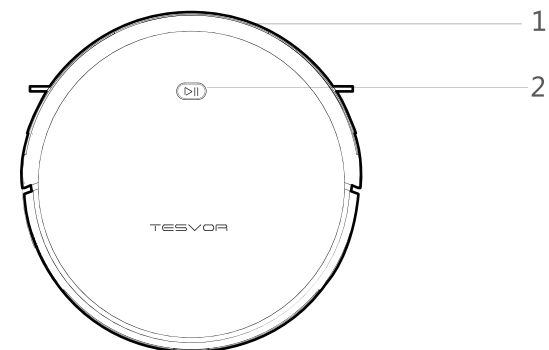


- ① Dry the dust box and filter components. Keep them dry to ensure a longer service life.
- ② After the pre-filter is used for 15-30 days, it should be washed once.
- ③ The maximum service life of the high-efficient filter is 3 months.

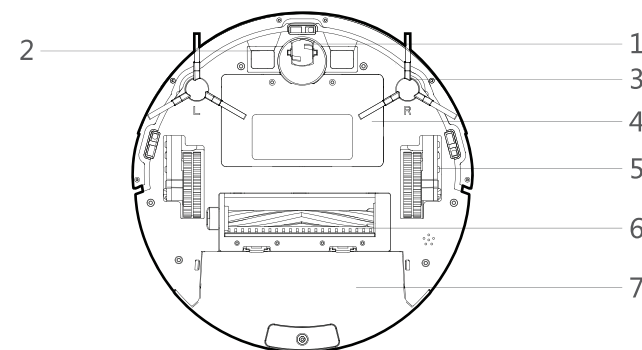


- ① Reinstall the pre-filter and high-efficient filter in the dust box.
- ② Before installing the filter, make sure that the high-efficient filter and the pre-filter are dry.
- ③ Do not expose the high-efficient filter and the pre-filter to sunlight.



Main Body

1. Bumper 2. Control button



Main Body

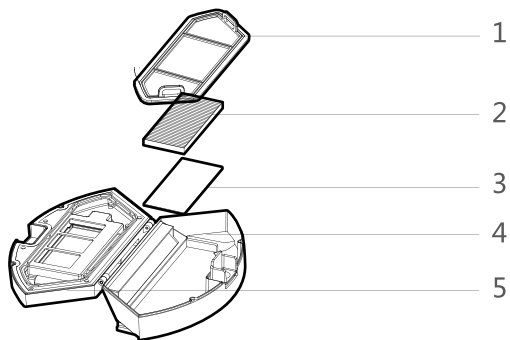
1. Universal wheel 2. Charging shrapnel 3. Side brush 4. Battery cover

5. Cincture 6. Rolling brush components 7. Dust box



Main Body

1. DC power jack 2. Power switch 3. Dust box release button



Dust Box

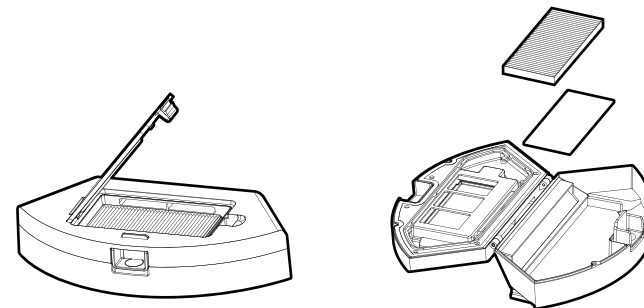
1. Pre-filter 2. High-effective filter 3. Filter sponge 4. Dust box

5. Dust box cover

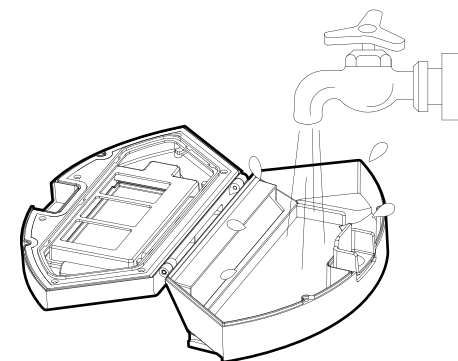


Charging base

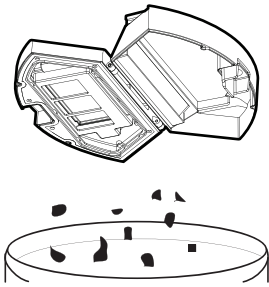
1. Charging indicator 2. DC power jack 3. Charging terminal



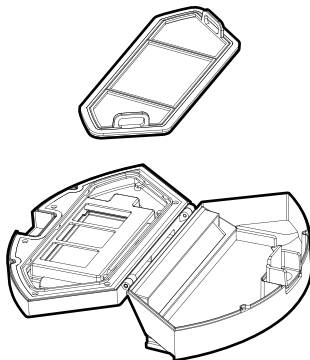
Open the high-efficient net cover, and remove the high-efficient filter and filter sponge. It is not recommended to wash the high-efficient filter with water. Please pat off the debris carefully.



Wash the dust box and pre-filter.



Dump all debris from the dust box into the garbage.



Remove the pre-filter.

3.2 Product Specifications

Structure Type

Diameter of main body	330 mm
Thickness of main body	75 mm
Net weight of main body	3.0 kg

Electronic Type

Voltage	14.4 V
Battery capacity	2500 mAh
Main body button type	LED button

Accessory Type

Dust box capacity	600 ml
Cleaning modes	Plan Cleaning / Edge Cleaning

Process Parameters

Charging Type	Manual/Automatic
Operating duration	≤ 100 min
Charging duration	240 – 360 min

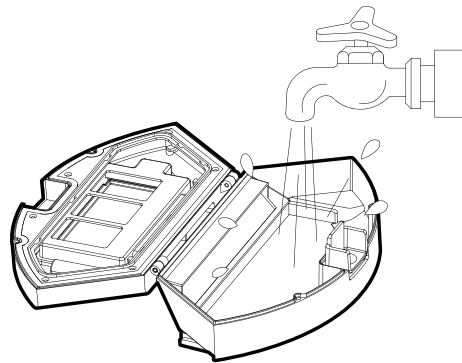
The ambient temperature range for storage of the product is 0-40 degrees Celsius

3.3 Product Characteristics



Humanized Design

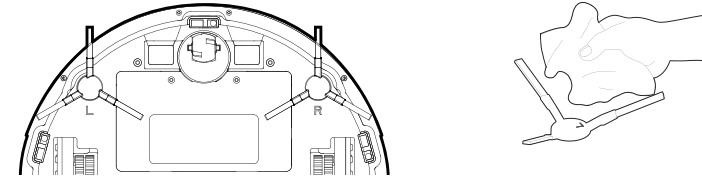
It is simple to operate. You can control the robot only by pressing the Control button! Follow the prompt tone to operate the robot!



Dust box can be washed with water

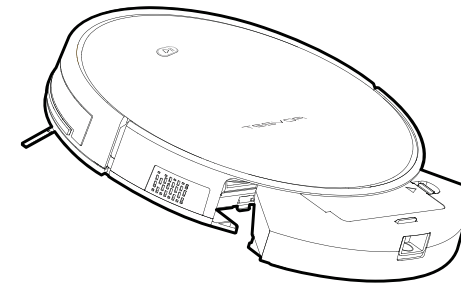
The dust box and the pre-filter can be directly flushed with water without too much labor, which can avoid secondary pollution caused by dust flying!

5.1 Side Brush Cleaning and Replacement



Check the side brush's condition frequently to see if it has been damaged or entangled with other objects. Clean the side brush with a cleaning tool or cloth. When the side brush is damaged and cannot be used, please replace it as soon as possible. L and R correspond to each other.

5.2 Cleaning of Dust Box and Filter



Press the release button on the dust box to remove it.