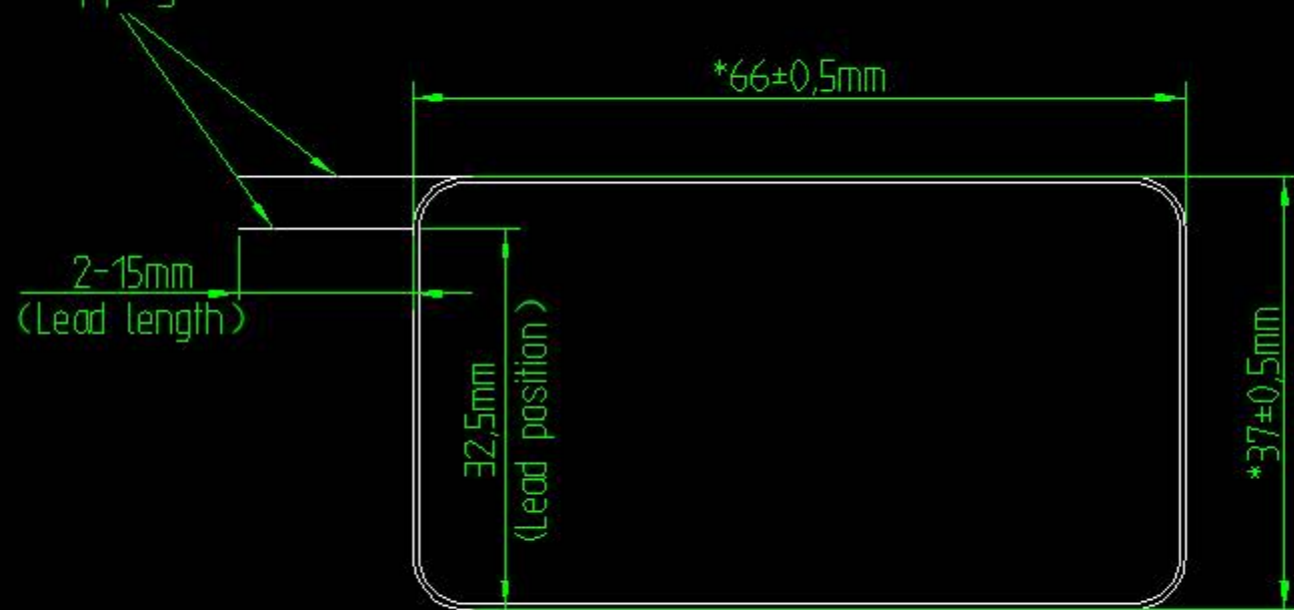


Port dipping treatment



Wire diameter $\phi 0.5$,
Around 4 times,
Ensure coil inductance $2.7\mu\text{H}$, Quality factor 0.07

