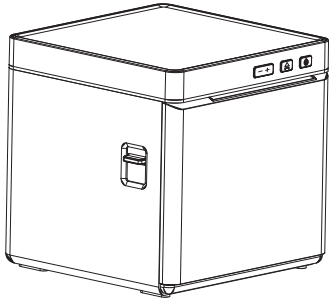


Quick Start Guide

TP900



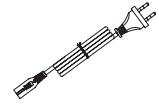
Xiamen Hanin Co.,Ltd.

ADD: Room 305A, Angye Building, Pioneering Park, Torch High-tech Zone, Xiamen, china

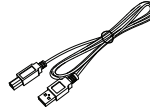
Packing List



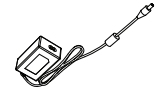
Printer



Power Cord



USB Cable



Power Adapter



Roll Paper



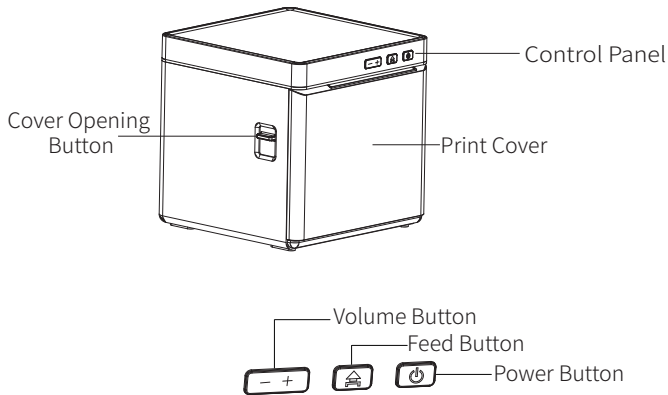
Quick Start Guide

Notes

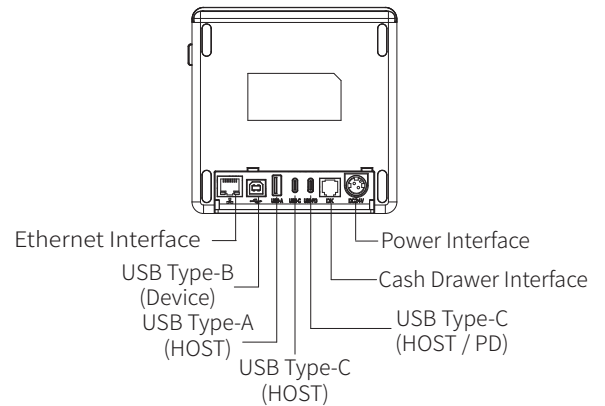
1. The items in the package are dependent on the actual order.
2. The power adapter and power cord vary by local or region.

Appearance and Components

Front & Side View



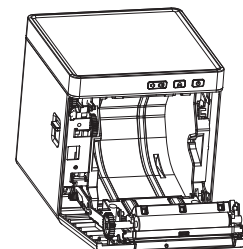
Back View



Notes

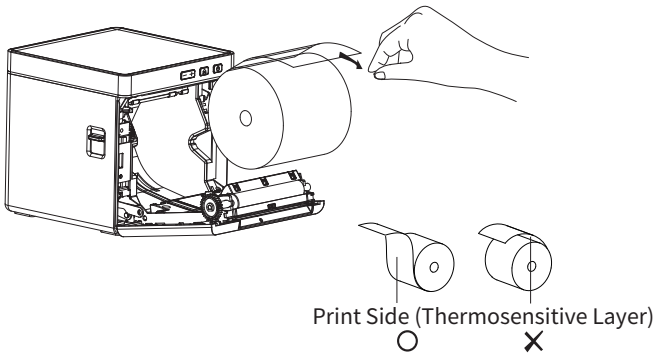
- USB Type-B (Device) is used to connect to a PC.
- USB Type-A (HOST) is used to connect a driver peripheral, keyboard, display, USB flash drive, etc.
- USB Type-C (HOST) is used to connect a driver peripheral and communicate with tablets.
- USB Type-C (HOST/PD) supports rapid charging.

Open the Print Cover

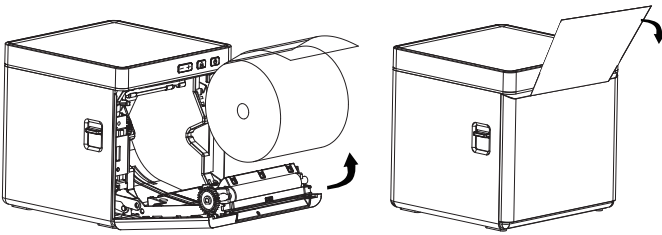


Paper Loading

1. Press the cover opening button to open the print cover.
2. Load the roll paper in the correct direction.

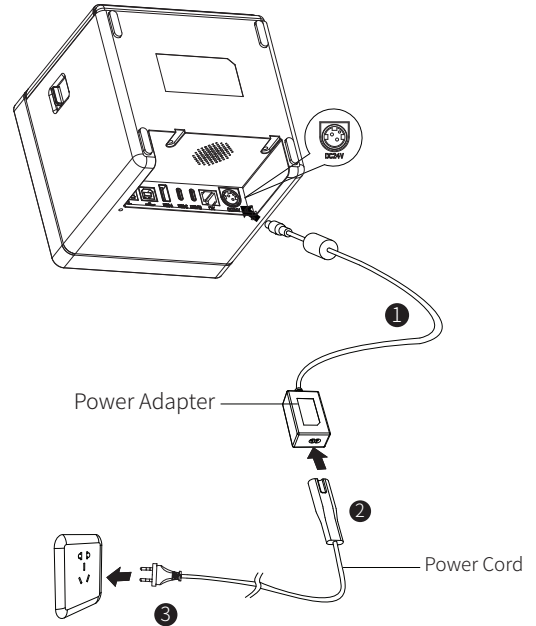


3. Pull out some paper, and close the printer cover.
4. Tear the extra paper.



Power Supply

1. Connect the power adapter to the printer.
2. Connect the power adapter to the power cord.
3. Plug the other side of the power cord into the socket outlet.



CE DECLARATION OF CONFORMITY

Manufacturer certifies that the following designated product:

HPRT TP900-i

Type of product:

Direct Thermal Line Printing

It is in conformity with the standards.

Test Standard Information

Under the Council Directive: (LVD) Directive 2014/35/EU relating to electrical equipment designed for use within Low Voltage Directive.

EN 62368-1:2014+A11:2017

Under the Council Directive: (EMC) Directive 2014/30/EU relating to Electro Magnetic Compatibility.

EN 55032: 2015+AC:2016

EN 55035: 2017

EN 61000-3-2: 2014

EN 61000-3-3: 2013

We declare herewith that as a result of the manner in which the device designated below was designed, the type of construction and the devices which, as a result have been brought on to the general market comply with the relevant fundamental regulations of the CE Rules for Safety. And we declare herewith the above mentioned model is conformity with Directive 2014/30/EU and 2014/35/EU. In the event of any alteration which has not been approved by us being made to any device as designated above, this statement shall thereby be made invalid.

The declaration is sole responsibility of the manufacturer HPRT.

FCC Warning

This device complies with part 15 of the FCC Rules. Operation is subject to the following two conditions: (1) this device may not cause harmful interference, and (2) this device must accept any interference received, including interference that may cause undesired operation.

Any changes or modifications not expressly approved by the party responsible for compliance could void the user's authority to operate the equipment.

NOTE: This equipment has been tested and found to comply with the limits for a Class A digital device, pursuant to part 15 of the FCC Rules. These limits are designed to provide reasonable protection against harmful interference when the equipment is operated in a commercial environment. This equipment generates, uses, and can radiate radio frequency energy and, if not installed and used in accordance with the instruction manual, may cause harmful interference to radio communications. Operation of this equipment in a residential area is likely to cause harmful interference in which case the user will be required to correct the interference at his own expense.

- Reorient or relocate the receiving antenna.
- Increase the separation between the equipment and receiver.
- Connect the equipment into an outlet on a circuit different from that to which the receiver is connected.
- Consult the dealer or an experienced radio/TV technician for help.

To satisfy FCC RF exposure requirements, a separation distance of 20cm or more should be maintained between the antenna of this device and persons during device operation. To ensure compliance, operations at closer than this distance is not recommended.

