

# 2023

# 深圳祥博一科技有限公司

Shenzhen Xiangboyi Technology Co. Ltd

## 天线测试报告 Antenna report



# TEST REPORT

**01** 客户名称/Customer : 芭蕾数码科技有限公司

Shenzhen Ballet Digital Technology Com., Ltd.

**02** 项目名称/Project: OTA Test

**03** 立项编号/Project NO: XBY230002

**04** 工程师/Engineer: 杨小文  
电话/Phone: 15820795642

Shenzhen Ballet Digital Technology Com., Ltd.

Address : 05, 3rd floor, Building A1, Tietar Xupa Science Park, Liantang Industrial City, Shangcun Community, Gongming Street, Guangming New District, Shenzhen



# PART 1

# 测试报告版本/Report version

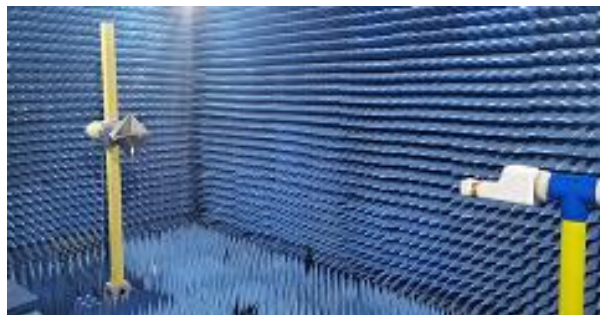
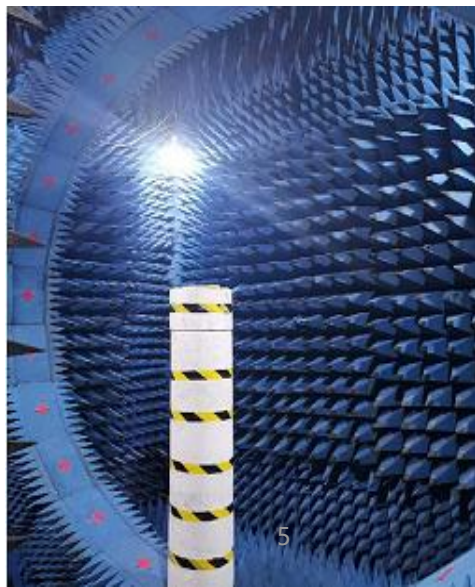
日期 Date	天线版本 Antenna version	主板版本 PCB version	变更描述 Description of Change
2023-1-12			样品天线测试数据 Sample antenna test data
2023-3-11			增加增益测试数据 Add gain test data
2023-3-21			增加2D方向图数据 Add 2D direction chart

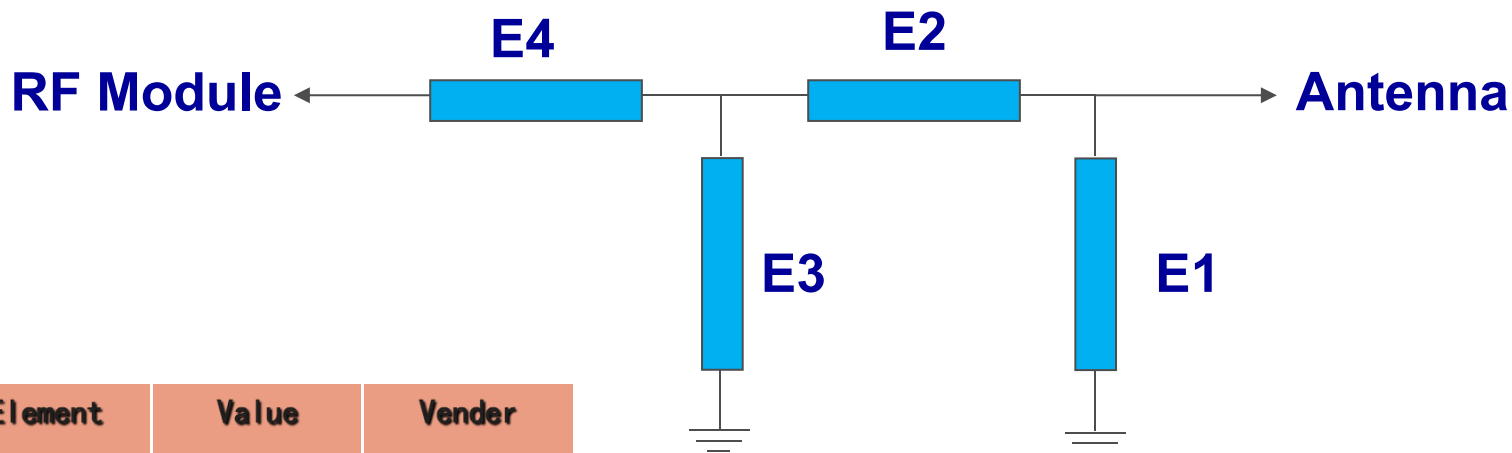
NO	ITEMS	DETAILS
1	<b>工作频段</b> Operating band	WIFI:2.4G
2	<b>频率范围</b> Frequency band	WIFI:2400-2500Mhz
3	<b>天线类型</b> Antenna type	WIFI:PIFA
4	<b>天线材质及实现形状</b> Material and implementation shape	FPC+焊线

# PART 3

# Test system and equipment

	测试项目/Test items	设备/equipment
1: S参数 S parameter	1. 回波损耗 Return loss 2. 驻波比 VSWR	网络分析仪/Network analyzer: A338/A333
2: 耦合功率测试 Active test	1. 发射功率 Transmitting power 2. 接收灵敏度 Receiving sensitivity	综合测试仪/Comprehensive test instrument: Agilent 8960/ CMW500
3: 辐射模式与增益 Radiation mode and gain		1. 暗室/Shielding room: 7x4x3 m (ETS-3D) 2. 网络分析仪/Network analyzer: HP 8753D

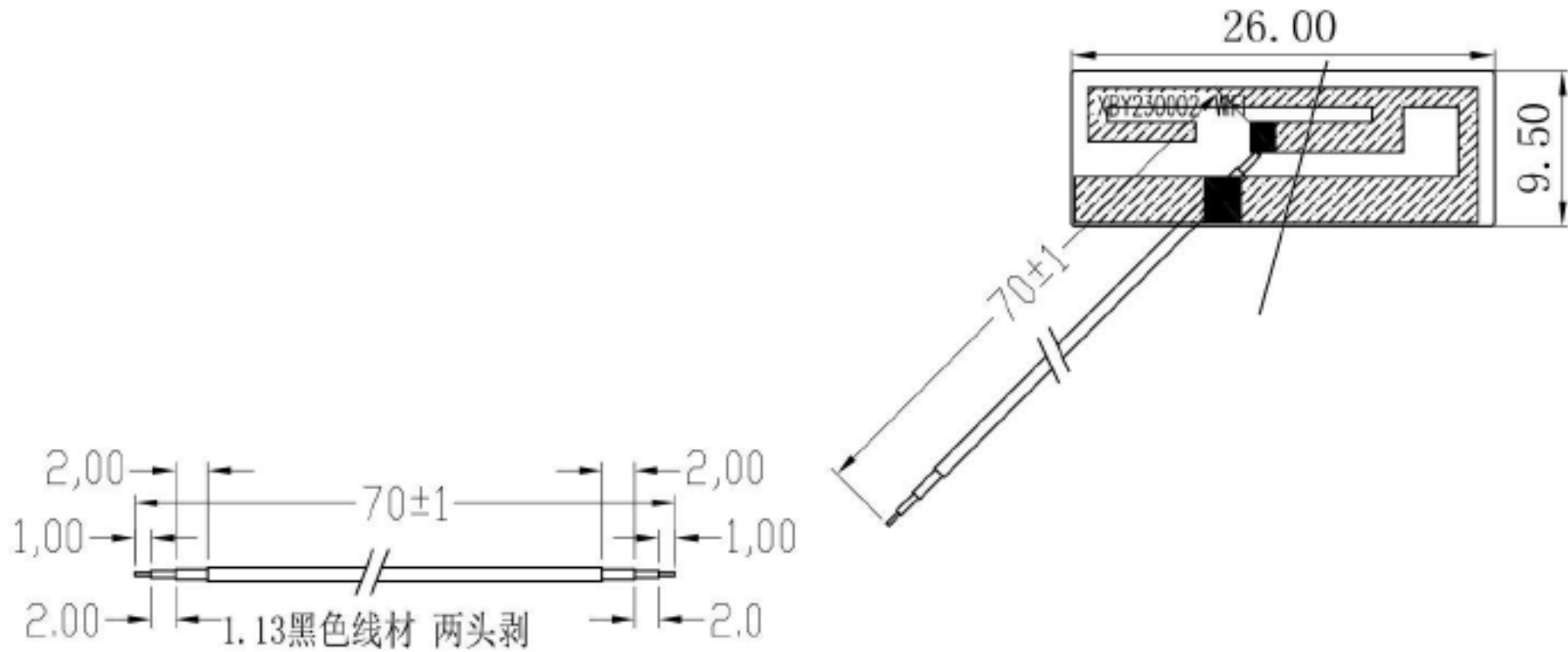




Element	Value	Vender
E1 (0402)	NA	
E2 (0402)	0 Ohm	
E3 (0402)	NA	
E4 (0402)	0 Ohm	

**Original match unchanged.**

# Engineering Drawing

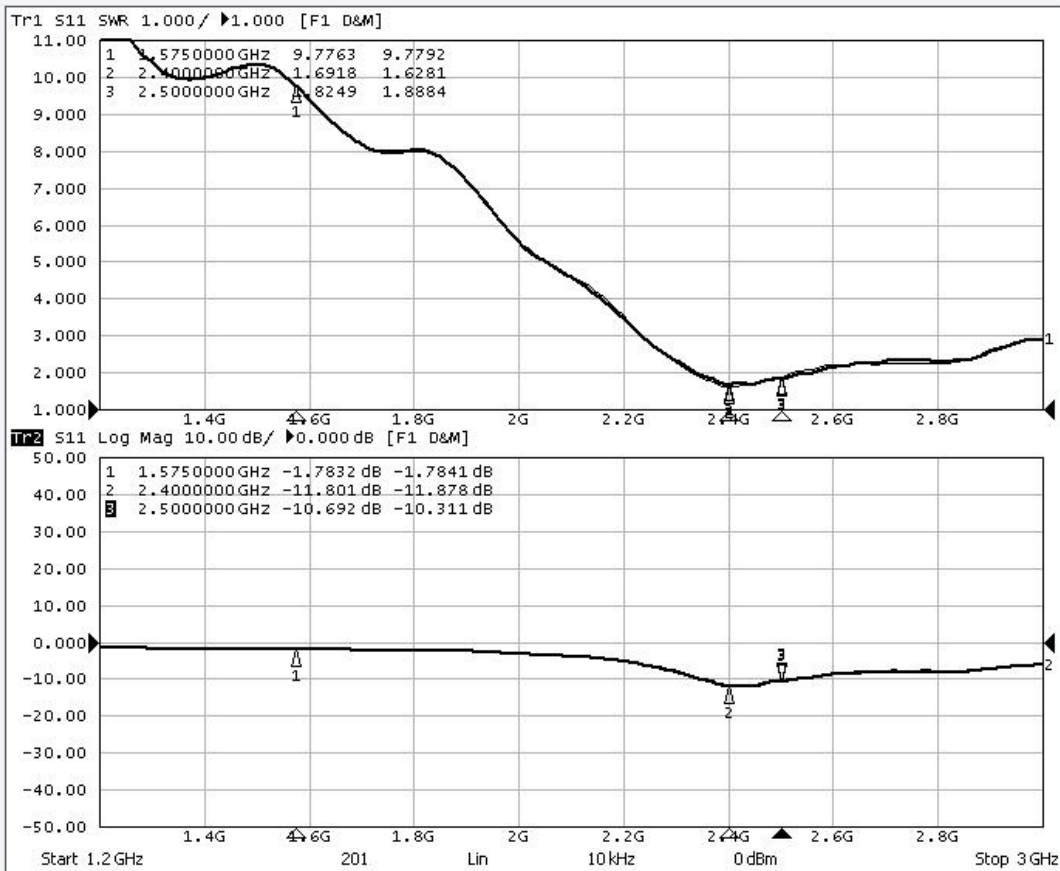


WIFI BAND	802.11b : 11Mbps (2.4G)			802.11g : 54Mbps (2.4G)		
Channel	CH1	CH7	CH13	CH1	CH7	CH13
TRP	15.55	14.06	15.37	12.73	12.81	12.44
TIS			-82.63			-71.63

WIFI BAND	802.11n : MCS7 (2.4G)					
Channel	CH1	CH7	CH13			
TRP	12.66	12.37	12.59			
TIS			-73.61			

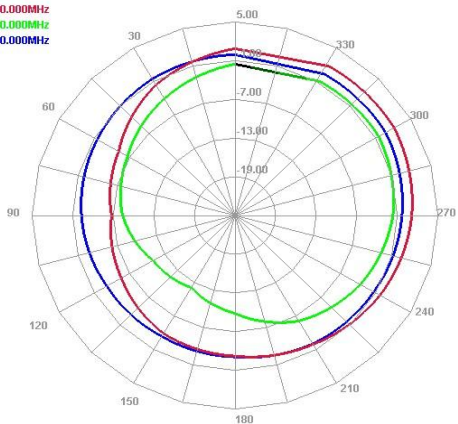


Freq (MHz)	Effi (%)	Gain (dBi)
2400	42.07	1.95
2450	38.68	1.43
2500	41.65	2.26



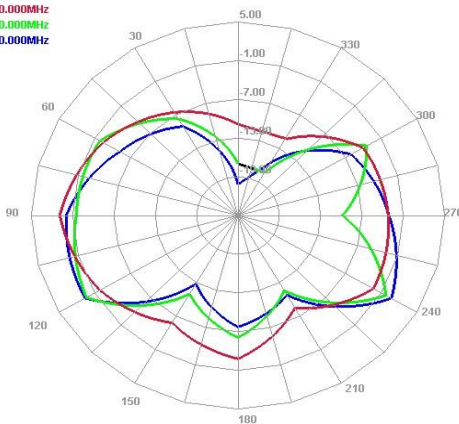
### Horizontal

2400.000MHz  
2450.000MHz  
2500.000MHz



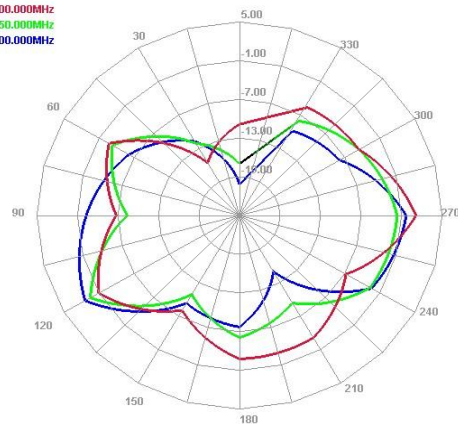
### E1 Face

2400.000MHz  
2450.000MHz  
2500.000MHz



### E2 Face

2400.000MHz  
2450.000MHz  
2500.000MHz



# PART 7

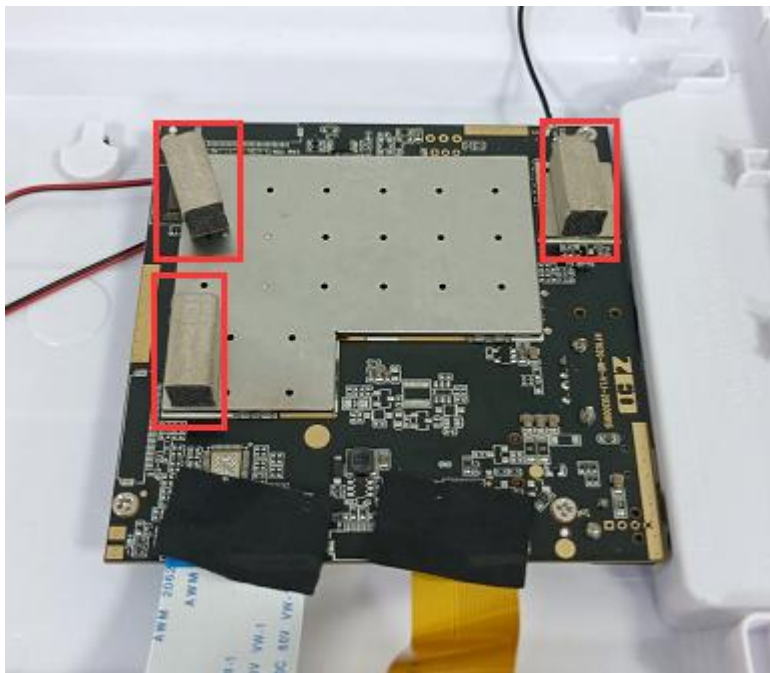
# 组装方式/Assembly method



## PART 8

# 环境处理

## Environmental treatment



如图贴导电泡棉将屏金属接地。

Conductive foam, such as stickers, will ground the screen metal





# 2023 Thanks!

Your content to play here, or through your copy, paste in this box, and select only the text. Your content to play here, or through your copy, paste in this box, and select only the text.