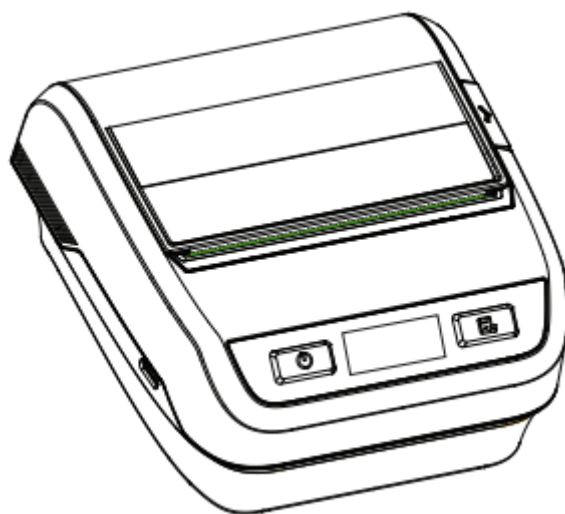


Mobile Label Printer

HM-A300E

Quick Start Guide



Rev.1.0

Manufacturer : Xiamen Hanin Electronic Technology Co.,Ltd.

ADD: Room 305A, Angye Building, Pioneering Park, Torch High-tech, Zone,

Xiamen

Tel: +86-(0)592-5885991

Web: www.hpert.com

Printer & Accessories

The printer is packaged with the following accessories.

If any of these accessories is broken or missing, please contact the dealer that you bought the product.



Printer



USB Cable



AC Adapter



Battery Pack



Quick Start Guide

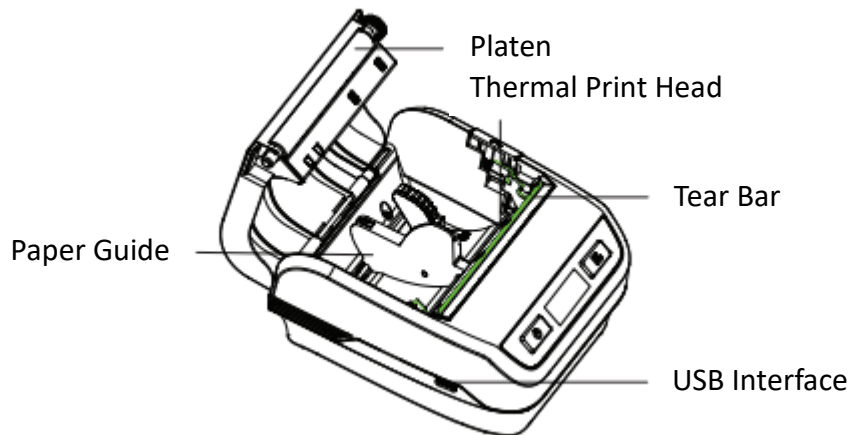
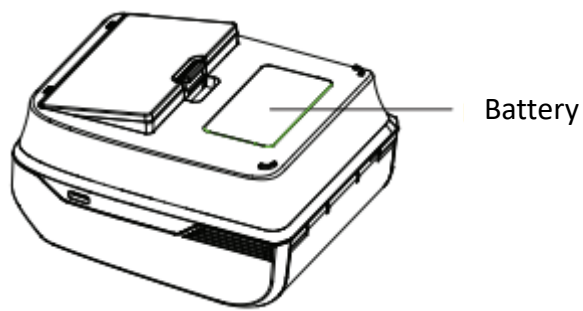
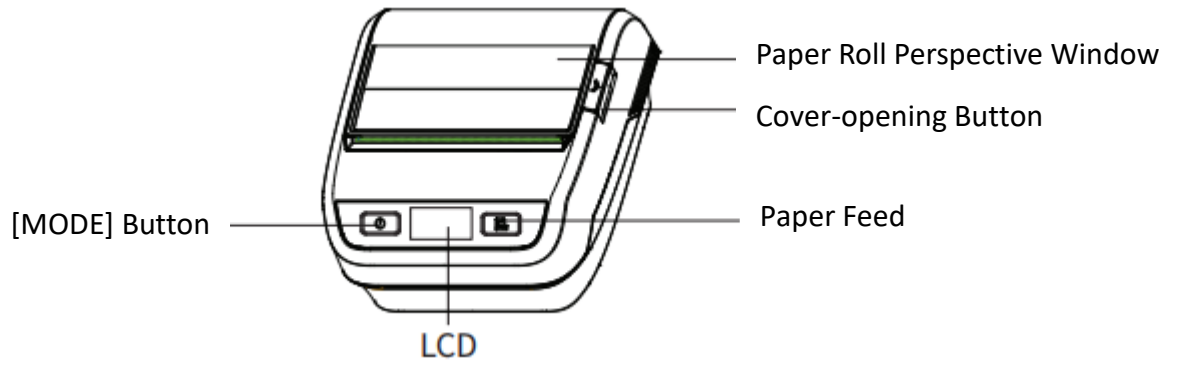
Note:

1) The AC adapter vary by local or region.

2) The items in the package are actually based on the order.

Appearance and Components

Front View

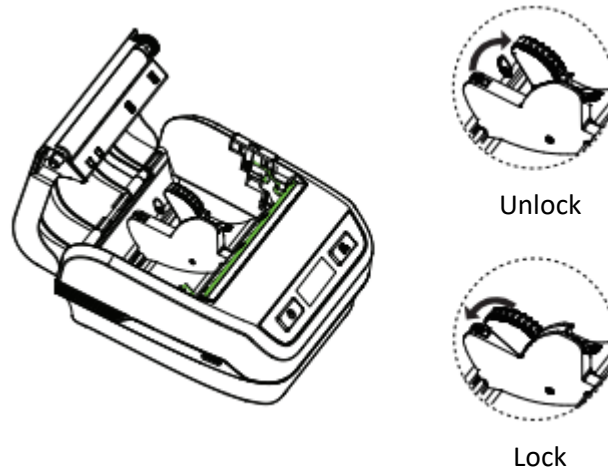


Loading Paper

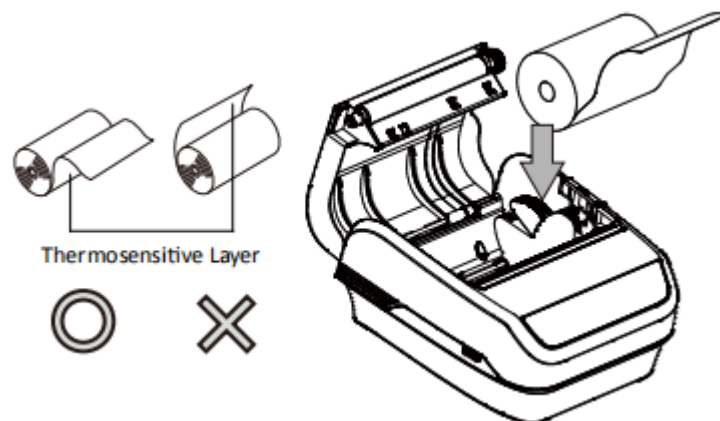
1. Press the cover-opening button to open the paper cover.



2. Unlock the paper guide as shown below.



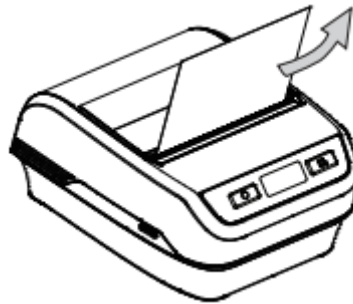
3. Load the paper in the orientation shown in the figure below. Make sure that the thermosensitive layer is facing down. Adjust the paper guide per the paper width. After adjusting, lock the paper guide.



4. Pull some extra paper and close the cover. Make sure that it is closed on both sides.



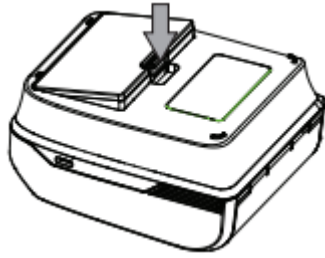
5. Use the tear bar to tear the extra paper.



Battery Pack Installation

1. Make sure that the printer has been turned off before you insert or remove the battery pack.

2. Insert the battery pack into the back of the printer as in the figure shown below, following the direction of the arrow. Press down on the battery pack until the hook click into place.

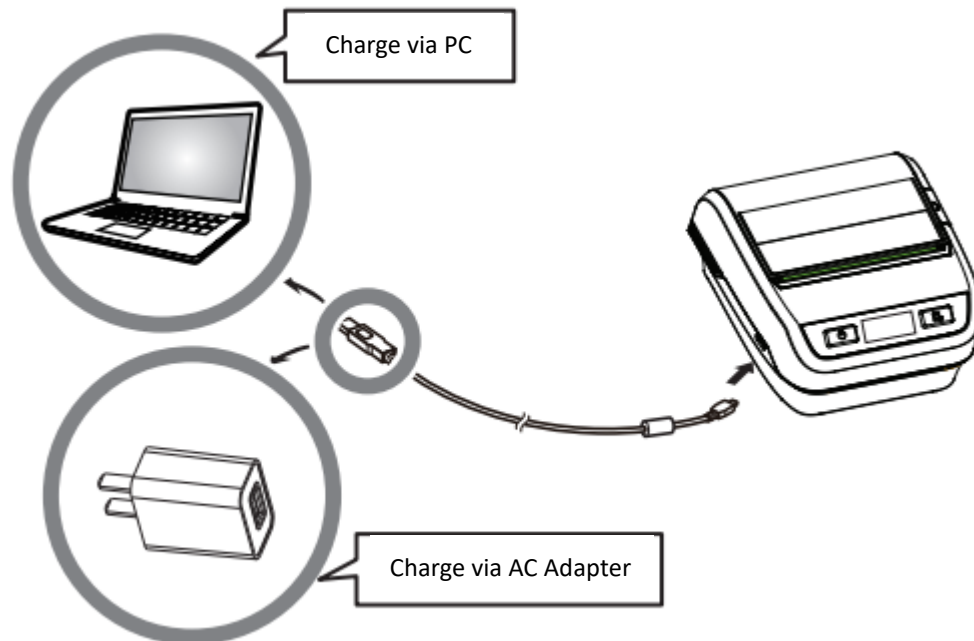


3. To remove the battery back, pull back the hook, and use the opposite procedure from the one you used to insert the battery pack.



Battery Charging

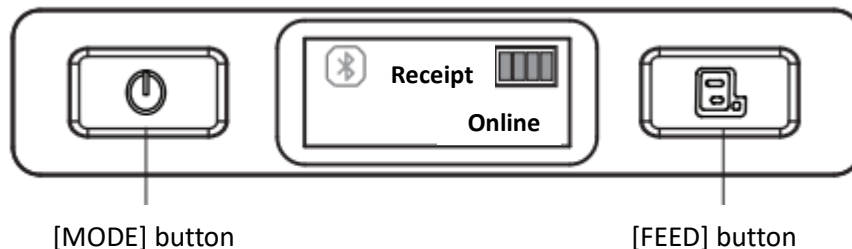
Please charge the printer with the supplied USB cable.



When battery pack runs out of power, the battery icon on the LCD will flash. It powers off automatically when continues printing. If you want to go on, please charge it.

Menu Settings

1. Press and hold the [MODE] button for approx. 2 seconds, and printer is turned on.



2. Press and hold both [MODE] button and [FEED] button, the main menu is displayed on the screen, followed by: language, density, sleep time, print, calibrate.

3. Press [MODE] button to change the option.

4. Press [FEED] button to change the category of sub-option; press and hold [FEED] button to confirm the current setting.

CAUTION

Before changing the menu setting, make sure that the communication with a host device is disconnected.

When the printer is under the Bluetooth communication with a host device, it cannot enter the Menu Settings mode.

FCC ID:2AUTE-A300X

FCC WARNING

This device complies with part 15 of the FCC Rules. Operation is subject to the following two conditions: (1) this device may not cause harmful interference, and (2) this device must accept any interference received, including interference that may cause undesired operation.

Any changes or modifications not expressly approved by the party responsible for compliance could void the user's authority to operate the equipment.

NOTE: This equipment has been tested and found to comply with the limits for a Class A digital device, pursuant to part 15 of the FCC Rules. These limits are designed to provide reasonable protection against harmful interference when the equipment is operated in a commercial environment. This equipment generates, uses, and can radiate radio frequency energy and, if not installed and used in accordance with the instruction manual, may cause harmful interference to radio communications. Operation of this equipment in a residential area is likely to cause harmful interference in which case the user will be required to correct the interference at his own expense.

- Reorient or relocate the receiving antenna.
- Increase the separation between the equipment and receiver.
- Connect the equipment into an outlet on a circuit different from that to which the receiver is connected.
- Consult the dealer or an experienced radio/TV technician for help.

The device has been evaluated to meet general RF exposure requirement. The device can be used in portable exposure condition without restriction.