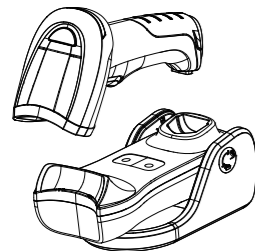


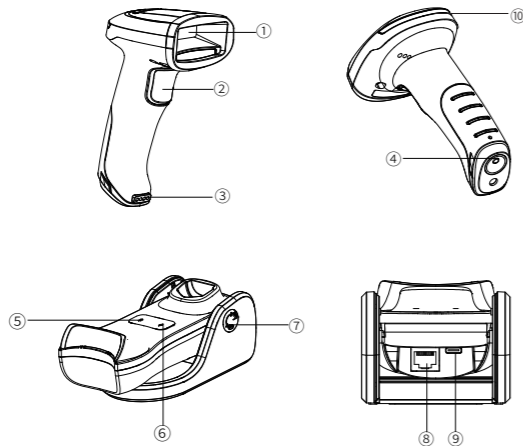
## Handheld Barcode Scanner

HN-72728HD-000R



## Instruction Manual

### ■ Appearance



- ① Scan Window    ② Scan Button    ③ Charging Contact
- ④ Shutdown Key    ⑤ Bluetooth Light    ⑥ Charge Indicator
- ⑦ Rotate Key    ⑧ RJ45 Interface    ⑨ Type-C Interface
- ⑩ Scanner Indicator

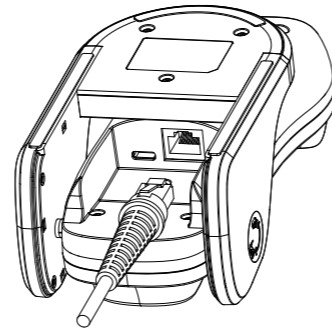
### ■ Power on/off and Restart

- ▶ **Power on :**  
Can be used as soon as it is plugged in. After it is connected to the host, it will be automatically power on.
- ▶ **Power off :**  
Automatically power off after unplugging the cable.
- ▶ **Restart :**  
If the scanner crashes or does not respond, please re-plug the cable.

### ■ Maintenance

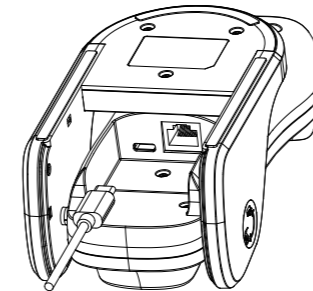
- ▶ The reading window must be kept clean.
- ▶ Avoid hard and rough objects to scratch the reading window.
- ▶ Remove the stains from window with a brush.
- ▶ Please use a soft cloth to clean the window, such as glasses cloth.
- ▶ Do not spray any liquid on the window
- ▶ Do not use any cleanser other than cleaning water.

### ■ RJ45 Connection



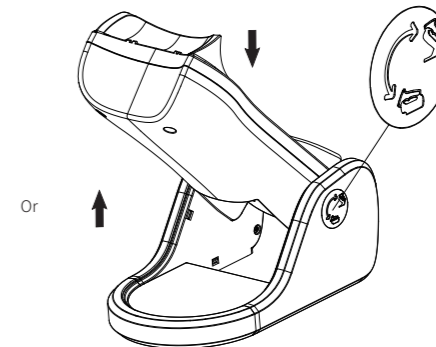
- 1) Connect the device interface end (RJ45 interface) of the USB data cable to the communication charging base;
- 2) Connect the host interface end (USB interface) of the USB data cable to the host.

### ■ Type-C Connection



- 1) Connect the device interface end (Type-C interface) of the USB data cable to the communication charging base;
- 2) Connect the host interface end (USB interface) of the USB data cable to the host.

### ■ Use of rotary keys



Press the rotation key, lift or lower the fuselage by hand, and adjust the fuselage angle.

### ■ FCC Warning

This device complies with part 15 of the FCC Rules. Operation is subject to the following two conditions:  
(1) This device may not cause harmful interference, and  
(2) this device must accept any interference received, including interference that may cause undesired operation.

**NOTE:**  
This equipment has been tested and found to comply with the limits for a Class B digital device, pursuant to part 15 of the FCC Rules. These limits are designed to provide reasonable protection against harmful interference in a residential installation.

This equipment generates, uses and can radiate radio frequency energy and, if not installed and used in accordance with the instructions, may cause harmful interference to radio communications.

However, there is no guarantee that interference will not occur in a particular installation. If this equipment does cause harmful interference to radio or television reception, which can be determined by turning the equipment off and on, the user is encouraged to try to correct the interference by one or more of the following measures:  
- Reorient or relocate the receiving antenna.  
- Increase the separation between the equipment and receiver.  
- Connect the equipment into an outlet on a circuit different from that to which the receiver is connected.  
- Consult the dealer or an experienced radio/ TV technician for help.



## ■ FCC Warning

### Warning:

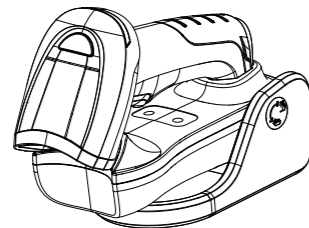
Changes or modifications to this unit not expressly approved by the part responsible for compliance could void the user's authority to operate the equipment.

### FCC Radiation Exposure Statement

The device has been evaluated to meet general RF exposure requirement. The device can be used in portable exposure condition without restriction.



## ■ Charging



Insert the scanner into the base in this direction to charge.

## ■ Restore Factory Default

Scan the barcode to restore all settings to the factory default state.



Note: Please use the "factory reset" function carefully. After reading this barcode, the current parameter settings will be lost and replaced with the factory default values.

## ■ Buzzer

Status	Beeping times
Power on	3 times
Scan Successfully	1

## ■ LED Indicator

Scanner Indicator Color	Description
Green	Lights up green when the scan is successful
Blue	Bluetooth is connected
Blue light flashes slowly	Bluetooth is not connected
Red light flashes	Low Battery

Base Indicator Color	Description
Blue	Bluetooth is connected
Red	Charging
Red light is off	Charged fully

## ■ Interface Setting

The scanner can communicate with the host by RS-232 serial port or USB port. The user can switch to the corresponding interface by replacing the data line and scanning the corresponding barcode below.

### (1) RS232 Serial Port Barcode



### (2) HID Virtual Keyboard



The scanner can be simulated into HID-KBW device when using the USB port. In this mode, the scanner will output data to the host as a virtual keyboard.

### (3) USB Virtual Serial Port



When the scanner uses the USB port, but the host receives data by serial port, the scanner can be set to the USB virtual serial port (This feature requires the appropriate driver to be installed on the host).

## ■ Scanning Mode Setting

► Scan mode settings by scanning the barcode below

### (1) Manual Mode



### (2) Sensing Mode



### (3) Continuous Mode



► Other

### (1) Aiming Barcode



### (2) Read Successfully Barcode



## ■ Common Problem

Q: There are some barcodes can not be scanned.

A:

- Firstly, check the barcode type, open the barcode function; if it is verified, try to turn off.
- Unable to know the barcode type, then set all barcodes allow to be recognized.

Q: The barcode data is incorrect.

A:

Check the error display of barcodes (all barcodes errors or specific barcode error)

Q: Bar code can be recognized but not displayed.

A:

Firstly, confirm the working mode of the scanner. If it is in RS-232 serial port mode, you need to connect with serial cable; if it is in USB virtual serial port mode, you need to connect with USB cable, and the host accepts with serial port tool. Both modes need to ensure that the serial port attribute of the serial port tool on the host is consistent with the serial port attribute of the device. If it is connected with a HID virtual keyboard, then directly connected by a USB cable.

Q: Aiming Light and LED are not bright.

A:

- Check whether the device is powered on.
- Re-plug the data cable.

## ■ State

► Our company does not assume any responsibility for losses caused by natural disasters (such as earthquakes, floods, etc.) that exceed our scope of responsibility.

► In any case, our company does not assume any responsibility for losses caused by using this product, such as loss of profits, loss of reputation, business interruption, loss or change of stored data, and any special, unexpected, associated or intermittent losses caused by the above.

► Our company does not assume the responsibility for the losses caused by due to improper use of hardware or software not specified by the our company .

► Our company does not provide any form of warranty or technical support for the information, data, files, other products, services obtained though the use of this product, and does not assume any responsibility for the use of above description by users.

► Our company are not take any form of guarantee for third-party software used by this product.

► Due to the continuous improvement of the products, the operation and common problems of the models described in the manual are mainly based on actual machines. And it may be changed without notice.