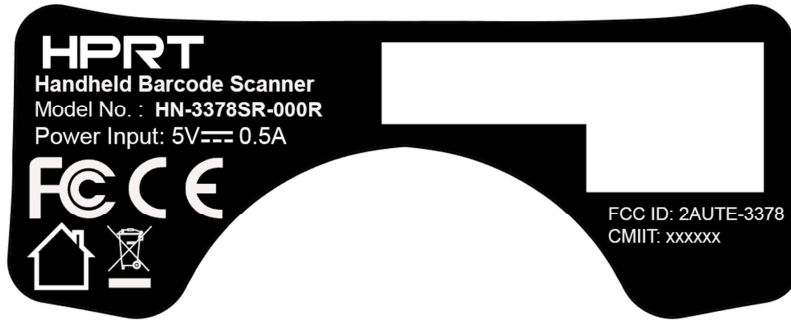


ANNEX

EXHIBIT 1 - PRODUCT LABELING

Proposed FCC ID Label Format



Specifications: The label shall be securely affixed to a permanently attached part of the device, in a location where it is visible or easily accessible to the user, and shall not be readily detachable. The label shall be sufficiently durable to remain fully legible and intact on the device in all normal conditions of use throughout the device's expected lifetime.

Proposed Label Location on EUT

