

This device complies with Part 15 of the FCC Rules. Operation is subject to the following two conditions:
 (1) This device may not cause harmful interference, and (2) This device must accept any interference received, including interference that may cause undesired operation.

Federal Communication Commission Interference Statement

This equipment has been tested and found to comply with the limits for a Class B digital device, pursuant to Part 15 of the FCC Rules. These limits are designed to provide reasonable protection against harmful interference in a residential installation. This equipment generates, uses and can radiate radio frequency energy and, if not installed and used in accordance with the instructions, may cause harmful interference to radio communications. However, there is no guarantee that interference will not occur in a particular installation. If this equipment does cause harmful interference to radio or television reception, which can be determined by turning the equipment off and on, the user is encouraged to try to correct the interference by one of the following measures:
 . Reorient or relocate the receiving antenna.
 . Increase the separation between the equipment and receiver.
 . Connect the equipment into an outlet on a circuit different from that to which the receiver is connected.
 . Consult the dealer or an experienced radio/TV technician for help.

FCC Caution

To assure continued compliance, any changes or modifications not expressly approved by the party responsible for compliance could void the user's authority to operate this equipment. (Example - use only shielded interface cables when connecting to computer or peripheral devices).

FCC Radiation Exposure Statement

This equipment complies with FCC RF radiation exposure limits set forth for an uncontrolled environment. This equipment should be installed and operated with a minimum distance of 20 centimeters between the radiator and your body.

This transmitter must not be co-located or operating in conjunction with any other antenna or transmitter.

The antennas used for this transmitter must be installed to provide a separation distance of at least 20 cm from all persons and must not be co-located or operating in conjunction with any other antenna or transmitter.

Resetting

To connect the device to a new WiFi, use the pin to press the reset button (Figure 2). The LED will blink quickly during reset, and slow blinking indicates the device is ready to connect to a new WiFi.

LED Basic

Connected to power ready for setup	Orange - Slow Blink
During Wi-Fi setup	Orange - Fast Blink
Connected to Wi-Fi ready to connect to user	Orange - No Blink
Pairing to user	White - Fast Blink
Occupancy change detected	Green - 3 Blinks
Connected and working correctly	White - No Blink

• Detailed Instructions and FAQ available at : www.ergochief-usa.com/ergohub-manual
 • Trademarks and Patents : www.ergochief-usa.com/ip-and-notice

Product Model	ERHUB1019
Recommended ambient temperature for sensor accuracy	Between 60°F (16°C) and 78°F (25 °C)
Stable operating temperature (Electronic)	0 °C ~ 40 °C
Operating humidity	max. 85% RH, non-condensed
Input voltage	USB Power 5V/1A
Wireless protocol	Wi-Fi IEEE 802.11 b/g/n 2.4 GHZ
Wireless Security	WEP/WPA/WPA2 Personal
BLE protocol	BLE 5.0
FCC ID	2AUT8-ERHUB1019

Introduction

Congratulations! You are one step closer to a healthier workstyle. ERGOHUB is here to help you keep on track with your ergonomic goals. Please read the instructions clearly to assure a smooth installation and usage. If you have trouble installing ERGOHUB please visit our FAQ on our website or consult with our customer service.

Measurement Sensors

Height Sensor

- Keep area under the sensor clear from objects.

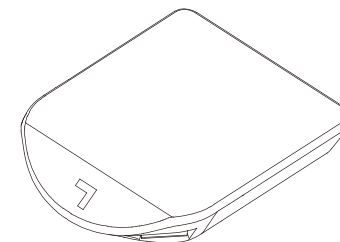
Occupational Sensor

- The occupational sensor uses body heat.
- The recommended ambient temperature of the room is between 60-77 °F (16-25°C).
- Allow 5 minutes after turning on the device for the sensor to function properly.
- Avoid warm objects such as radiators, warm windows or electronic devices that emit heat within the view of the sensor.

Warranty

- 1 year warranty is included See full warranty disclosure on the website.
www.ergochief-usa.com/ergohub-warranty

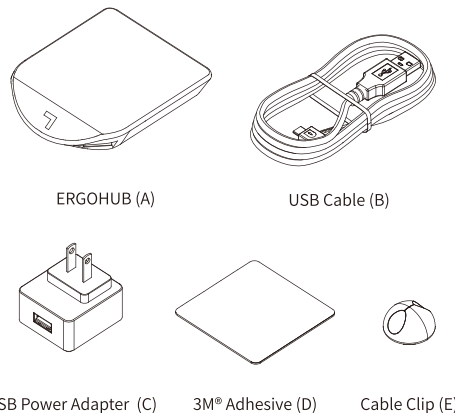
Start Guide



ERGOHUB™

BY ERGOCHIEF®
 "Improve your health by standing up."

Items Included



Step 1

Attach the 3M® adhesive firmly onto the plain surface of the hub.

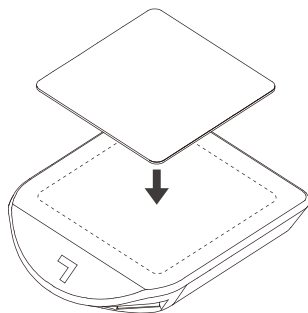


Figure 1

Step 2

Connect the micro USB (B) to the ERGOHUB (A) and charger (C) to the power socket. When connected successfully (Figure 2) the LED lights will blink.

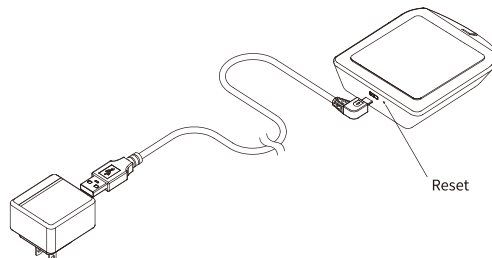


Figure 2

Step 3

First locate the installation point. ERGOHUB should be attached 19.5" / 50 cm to the left of the center of the desk/user (Figure 3) and aligned with the front border of the desk.

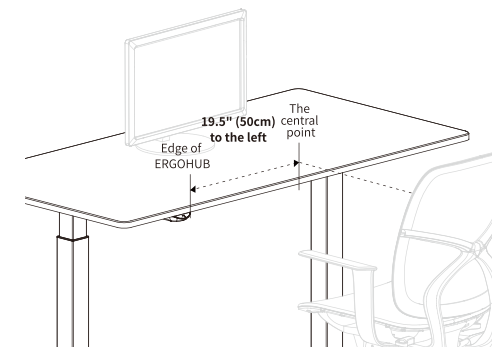


Figure 3

Step 4

Remove the top layer of the adhesive to install. Press the device firmly towards the desk to secure it, without touching the sensors or buttons.

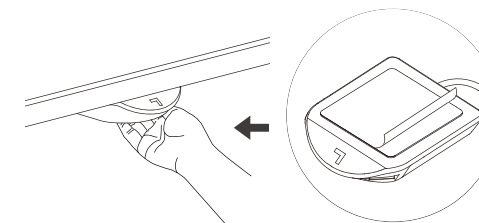


Figure 4

Step 5

Download the ERGO app and add your new device to complete setup. Further instructions are given on the app.

