

SPECIFICATION FOR APPROVAL

CUSTOMER/PROJECT: _____

CUSTOMER P.N.: _____

PRODUCT NAME: WIFI ANT

MODEL NO.: 26B007A-41

SPECIFICATION: _____

SUPPLIER AUTHORIZED SIGNATURE		
PREPARED	CHECKED	APPROVED
WDH	ZTG	ZYG

CUSTOMER AUTHORIZED SIGNATURE			
PM		QE	

Please return to us one copy of "SPECIFICATION FOR APPROVAL" with your approved signature.

ADD: No.358 Liuyuan RD., Baoshan Urban Industrial District., Shanghai, P.R.China.
TEL: +86-21-66276925(26/29/35) - 615

Content

content	1
1 Noun explanation.....	4
2 Test equipment	4
3 Working frequency band	4
4 Test project.....	5
4.1 VSWR plot	5
4.2 Simth plot	5
4.3 Radiation pattern	5
4.4 Gain & Efficiency	5
5 Antenna parameter.....	5
5.1 VSWR	5
5.1.1 VSWR plot	5
5.1.2 VSWR data	6
5.2 Simth plot	6
5.3 Radiation pattern.....	7
5.3.1 H-plane	7
5.3.2 E-plane	8-10
5.4 UGain & Efficiency	11
6 Environmental treatment suggestions	12
7 Impedance matching	12
8 Antenna plan	13
8.1 Antenna dimensional drawing.....	13



8.2 Coaxial cable length drawing	13
8.3 Connector drawing	13
9 Antenna installation guide.....	14
9.1 Antenna installation instructions.....	14
9.2 Coaxial routing	14
10 Other.....	14

1 Noun explanation

dBi	Decibel relative isotropic antenna
Tx	Transmit frequency
Rx	Receive frequency
TRP	Total Radiated Power
TIS	Total Isotropic Sensitivity
VSWR	Voltage Standing Wave Ratio
GSM	Global Service for Mobile communication
DCS	Digital Communication System
CDMA	Code Division Multiple Access
WCDMA	Wideband Code Division Multiple Access

2 Test equipment

network analyzer
Agilent8960
SATIMO64 chamber

3 Working frequency band

The yellow Identification is the using band

Band	
WIFI (2.4G)	2412MHz~2483MHz

4 Test project

4.1 VSWR plot

4.2 Simth plot

4.3 Radiation pattern

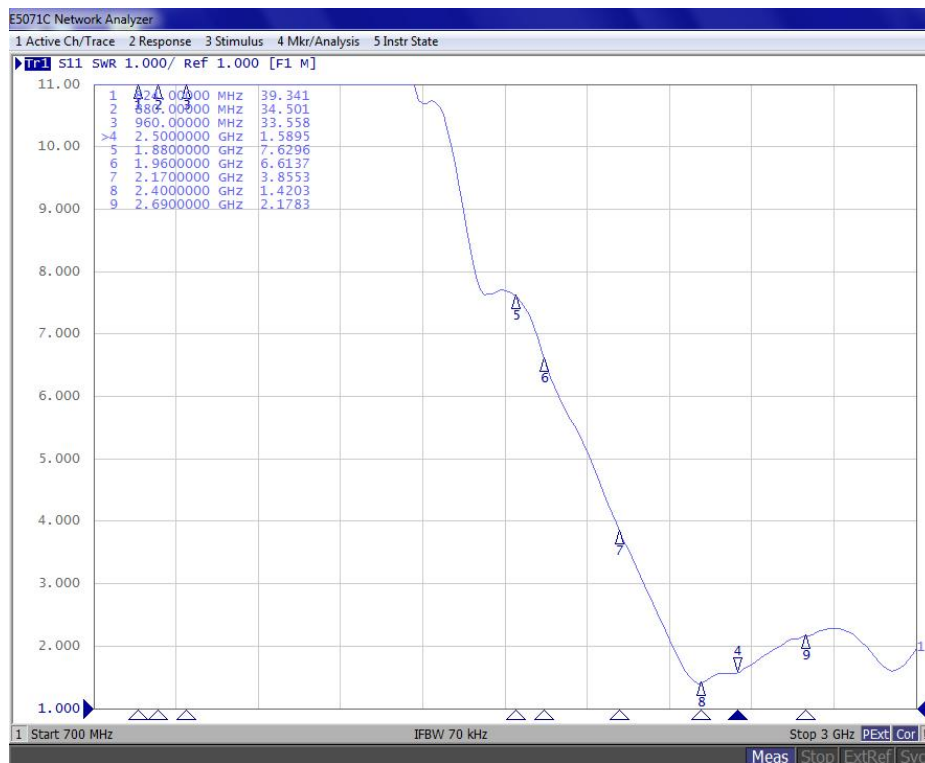
4.4 Gain & Efficiency

4.5 TRP&TIS

5 Antenna parameter

5.1 VSWR

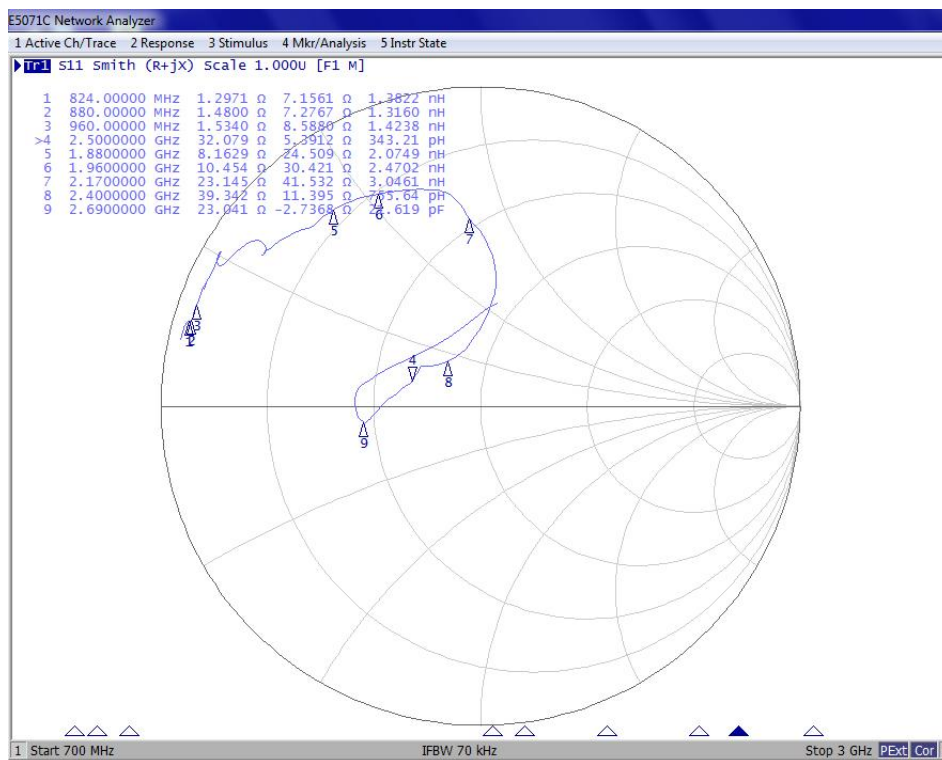
5.1.1 VSWR plot



5.1.2 VSWR data

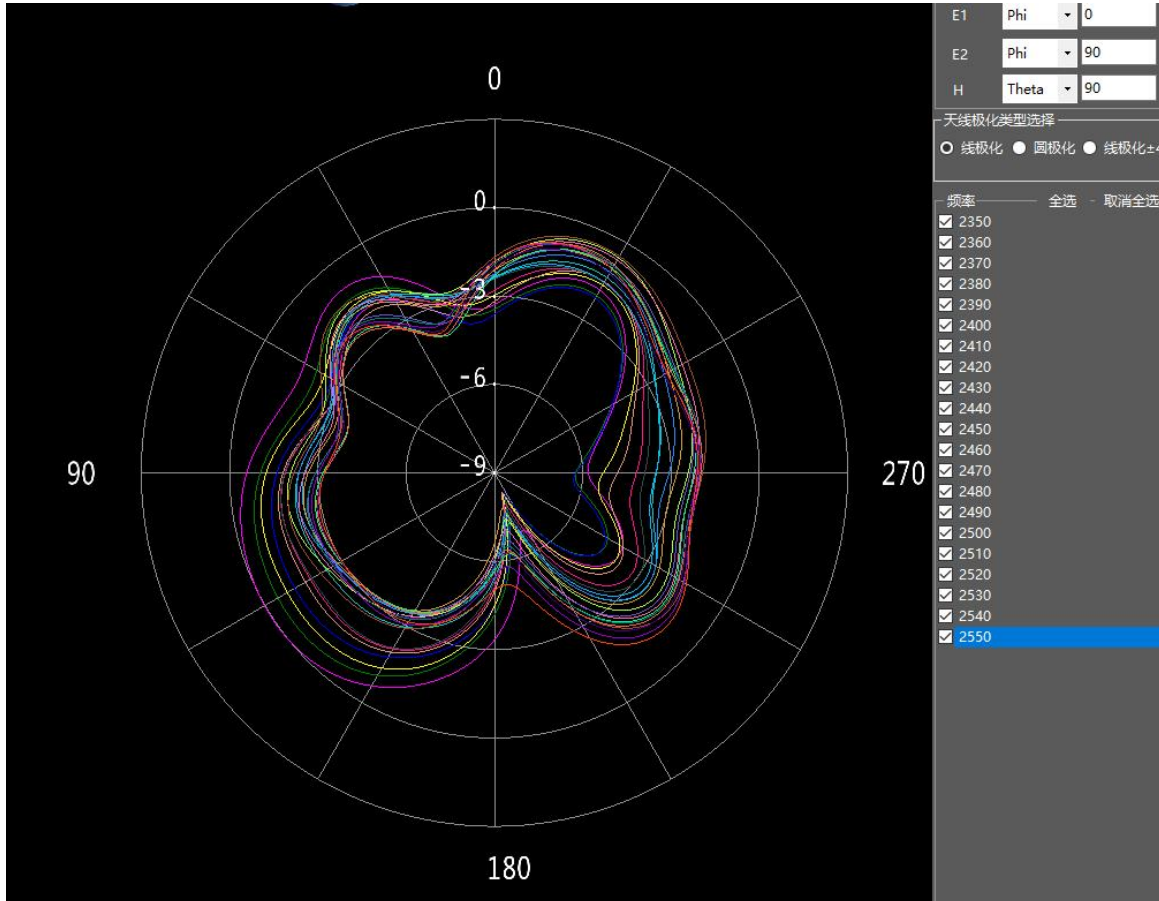
Freq/MHz	2400	2500
VSWR	1.4	1.5

5.2 Smith plot



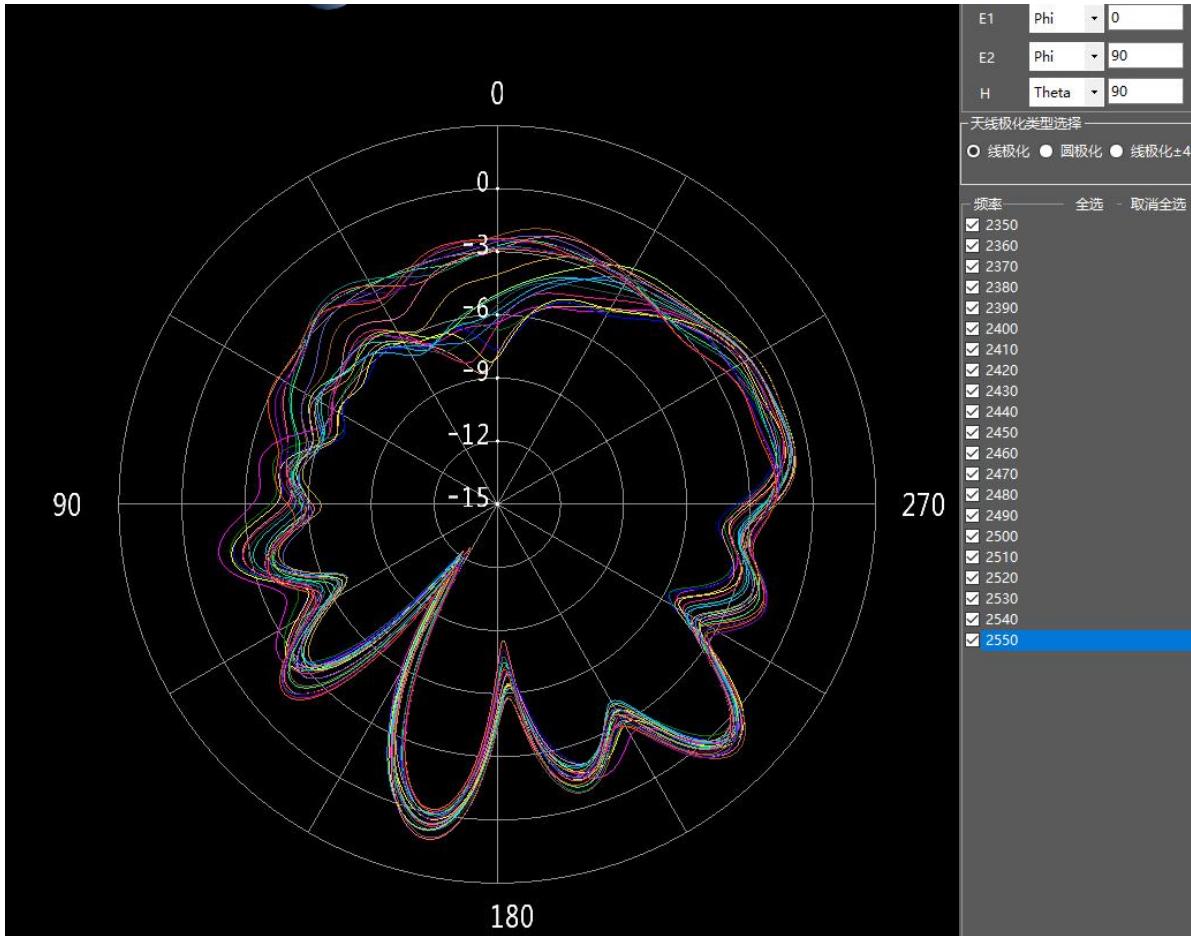
5.3 Radiation pattern

5.3.1 H-plane

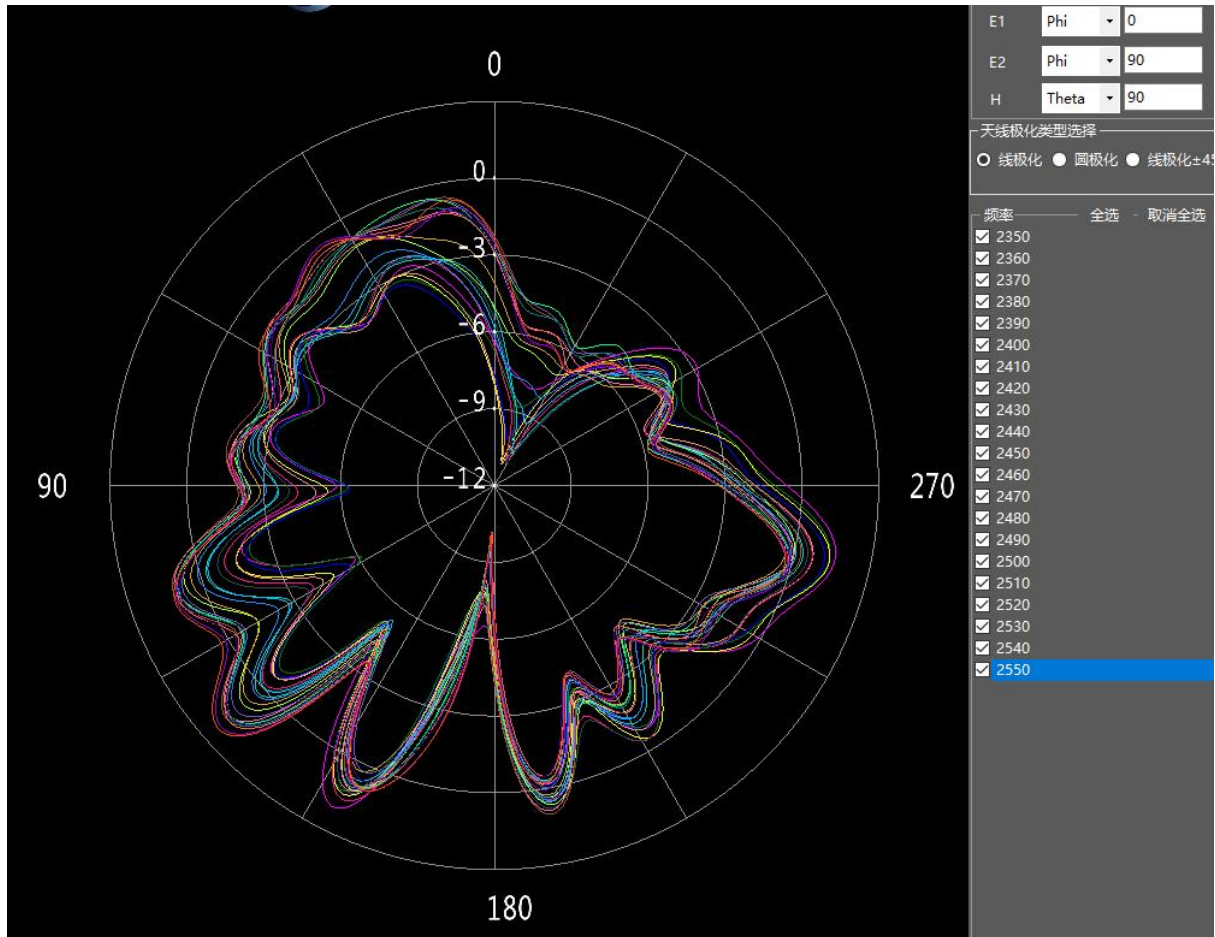


5.3.2 E-plane

E1



E2



5.4 UGain & Efficiency

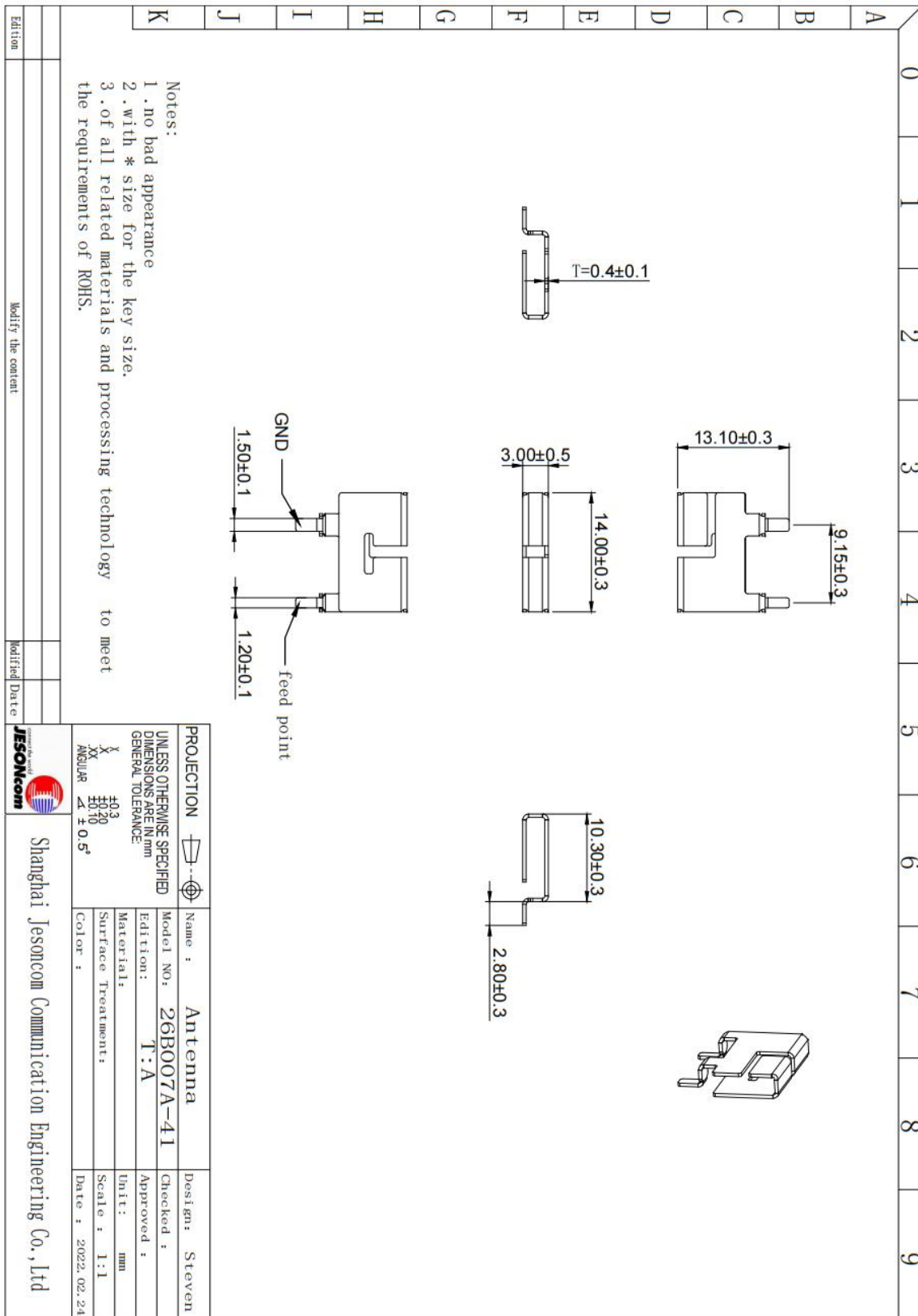
频率(MHz)	增益(dBi)	效率(%)
2350	2.09	56.76
2370	1.44	50.93
2390	1.25	51.13
2400	1.74	54.60
2420	1.08	54.33
2450	1.36	58.65
2480	1.94	63.92
2500	1.70	59.85
2520	1.91	59.95
2550	2.39	62.31

6 Environmental treatment suggestions

Environment does not need treatment

7 Impedance matching

8 Antenna plan

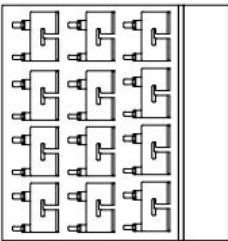
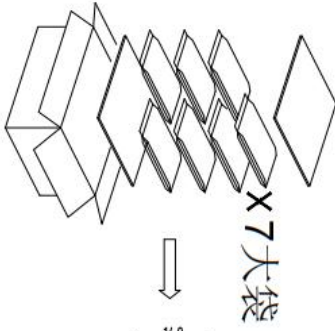
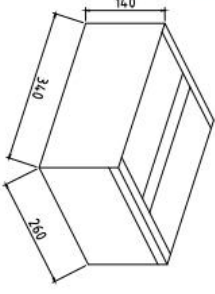



9 Antenna installation guide

9.1 Antenna installation instructions

9.2

10 Other(manner of packing)

A	B	C	D	E	F	G	H	I	J	K	0	1	2	3	4	5	6	7	8	9																									
<p>《满足規制物质限制条件》</p> <div style="display: flex; justify-content: space-around; align-items: center;"> <div style="text-align: center;">  <p>1500pcs/9#袋</p> </div> <div style="text-align: center;">  <p>X7大袋</p> </div> <div style="text-align: center;">  </div> </div>																																													
<p>技术要求： 1. 1500pcs产品1大袋，1箱为9大袋，一箱天线总数为10500PCS。 2. 捆包箱用PP胶带封成H型必要的说明事项。</p>												<table border="1" style="width: 100%; border-collapse: collapse;"> <tr> <td style="width: 10%;">PROJECTION</td> <td style="width: 10%;"></td> <td style="width: 10%;">名称：天线包装方式</td> <td style="width: 10%;">绘图：Lee</td> </tr> <tr> <td>UNLESS OTHERWISE SPECIFIED</td> <td></td> <td>料号：26B007A-90</td> <td>审核：Stevan</td> </tr> <tr> <td>DIMENSIONS ARE IN mm</td> <td></td> <td>版本：T: B</td> <td>核准：</td> </tr> <tr> <td>GENERAL TOLERANCE</td> <td></td> <td>材质：</td> <td>单位：mm</td> </tr> <tr> <td></td> <td></td> <td>表面处理：</td> <td>比例：1:1</td> </tr> <tr> <td></td> <td></td> <td>颜色：</td> <td>日期：2022.09.18</td> </tr> </table>										PROJECTION		名称：天线包装方式	绘图：Lee	UNLESS OTHERWISE SPECIFIED		料号：26B007A-90	审核：Stevan	DIMENSIONS ARE IN mm		版本：T: B	核准：	GENERAL TOLERANCE		材质：	单位：mm			表面处理：	比例：1:1			颜色：	日期：2022.09.18
PROJECTION		名称：天线包装方式	绘图：Lee																																										
UNLESS OTHERWISE SPECIFIED		料号：26B007A-90	审核：Stevan																																										
DIMENSIONS ARE IN mm		版本：T: B	核准：																																										
GENERAL TOLERANCE		材质：	单位：mm																																										
		表面处理：	比例：1:1																																										
		颜色：	日期：2022.09.18																																										
<p>版本</p>												<p>修改内容</p>																																	
<p>修订者</p>												<p>日期</p>																																	
												<p>上海杰盛康通信工程有限公司 Shanghai Jesoncom Communication Engineering Co., Ltd</p>																																	