

Neat Bar Pro & Neat Pad

User Manual



neat.

Neat Bar Pro

Video conferencing device



Neat Bar Pro packs a stack of tech into a simple and elegant slimline device.

It's capable of driving three large screens, has two extreme resolution cameras, a multiple microphone array and three full-range speakers.

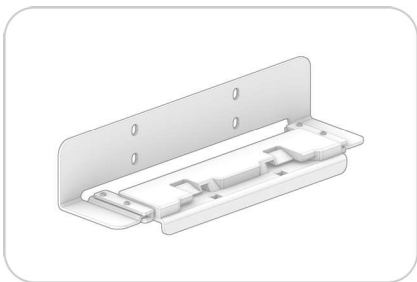
Ideal for delivering superior-quality audio, video, and other unique capabilities to your huddle, focus, meeting, and conference rooms, Neat Bar Pro comes with a dedicated Neat Pad controller and integrated environmental sensors.

Simple setup

All you need is in the box, including mounts, cables and clear instructions. So it's easy for anyone to install and set-up, above or below one, two or three screens.



Wall mount



Screen mount

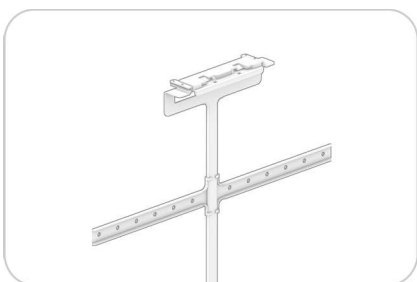
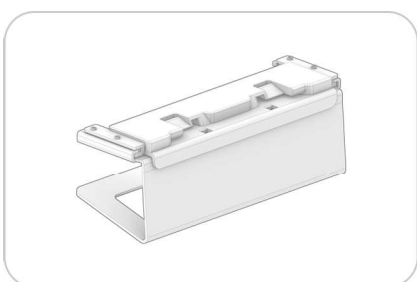


Table stand



Neat Bar Pro

Neat Bar comes with everything you need to get started, including cables, wall mount, screen mount and table stand.



In the box

Neat Bar Pro: Video conferencing device

HDMI cable: 6.5ft (2m)

Ethernet cable: 9.8ft (3m)

Power cord: 9.8ft (3m)

Mount adapter, wall mount, screen mount and table stand

4 × M8 screw (0.94 in / 24 mm) for VESA mount

4 × M6 screw (0.94 in / 24 mm) for VESA mount

2 × spacer (to secure parallel TV mount)

1 × 5 mm hex key for the screen mount

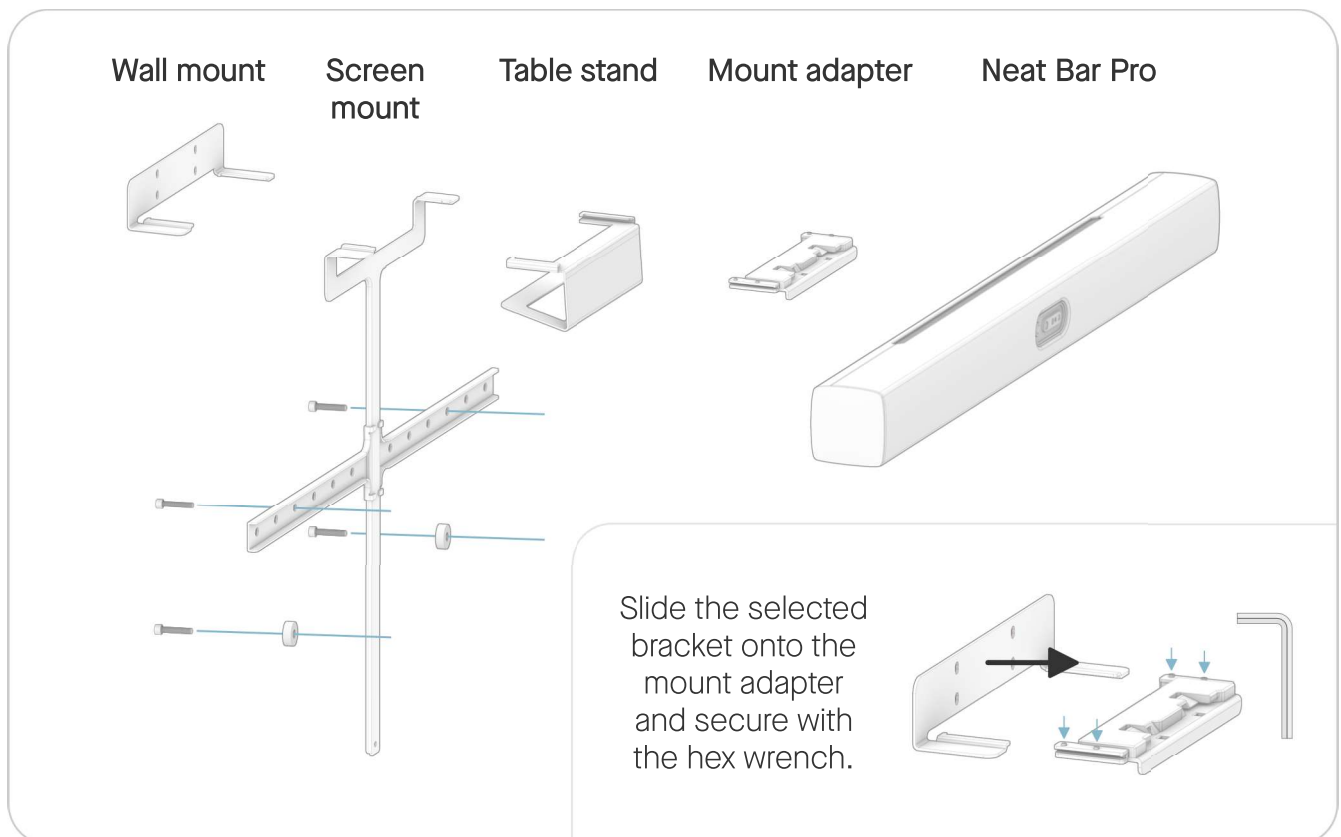
1 × 2 mm hex key for the mount adapter

2 additional screw bags for dual or triple screen setup

2 × | 4 × M8 screw (0.94 in / 24 mm) for VESA mount

4 × M6 screw (0.94 in / 24 mm) for VESA mount

4 × spacer (to secure alignment of all screens)



Screws for mounting to the wall are not included. Mounting on a wall should only be performed by qualified personnel in line with applicable facility and state regulations. The wall and the mounting equipment must safely withstand the load of the product.

Neat Pad

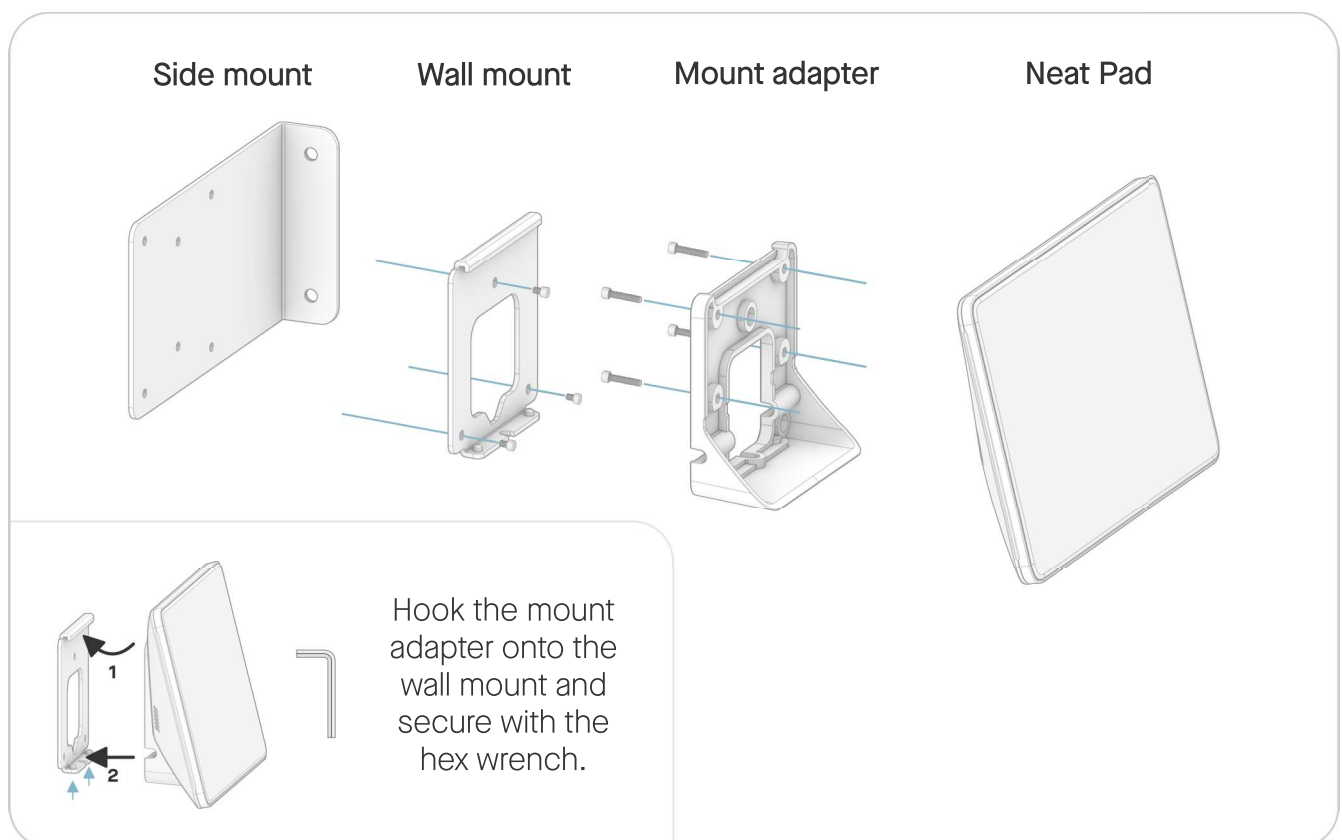
Neat Pad works as a Controller for Neat Bar and can also be configured as a Scheduling Display for the Meeting Room. It comes with everything you need to get started, including cables and mounting options.



In the box

Neat Pad: 8-inch touch screen
2 × Ethernet cable: 9.8ft (3m) + 16.4ft (5m)
PoE power adapter
Mount adapter, side mount and wall mount

4 × M4 screw (0.30 in / 7.5 mm)
for the wall mount
3 × M4 screw (0.19 in / 4.7 mm)
for the side mount
1 × 2.5 mm hex key for the adapters
1 × 2 mm hex key to secure Neat Pad
to the wall mount

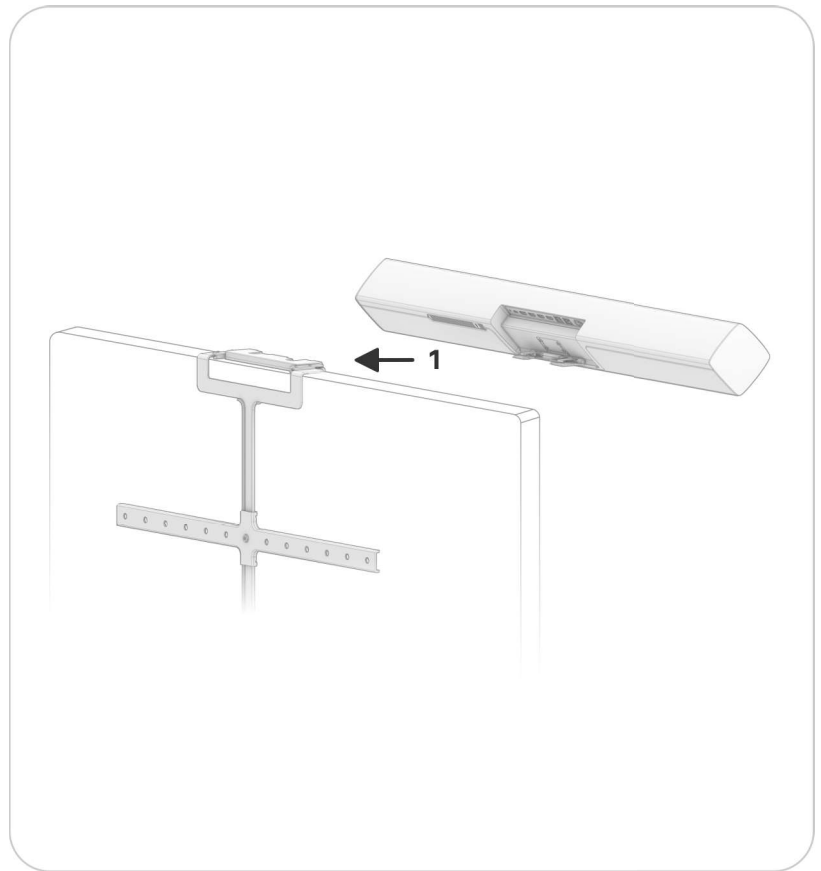


Screws for mounting to the wall are not included. Mounting on a wall should only be performed by qualified personnel in line with applicable facility and state regulations. The wall and the mounting equipment must safely withstand the load of the product.

Mounting & releasing

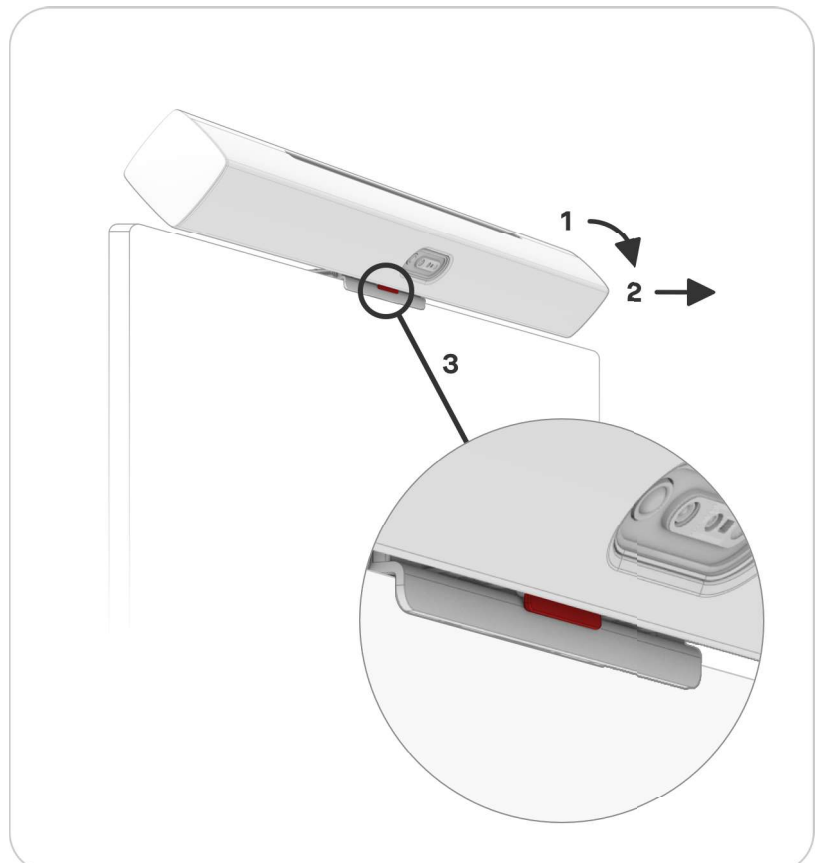
Mounting

Slide Neat Bar onto the selected mounting option (1). When fully inserted tilt Neat Bar back to horizontal and check if it is secure by carefully pulling it towards you.



Releasing

Tilt Neat Bar fully forward (1). Pull towards you (2) until the unit stops and the red release lever appears (3). Push the release lever up and pull Neat Bar gently off the mount adapter.



Size & weight

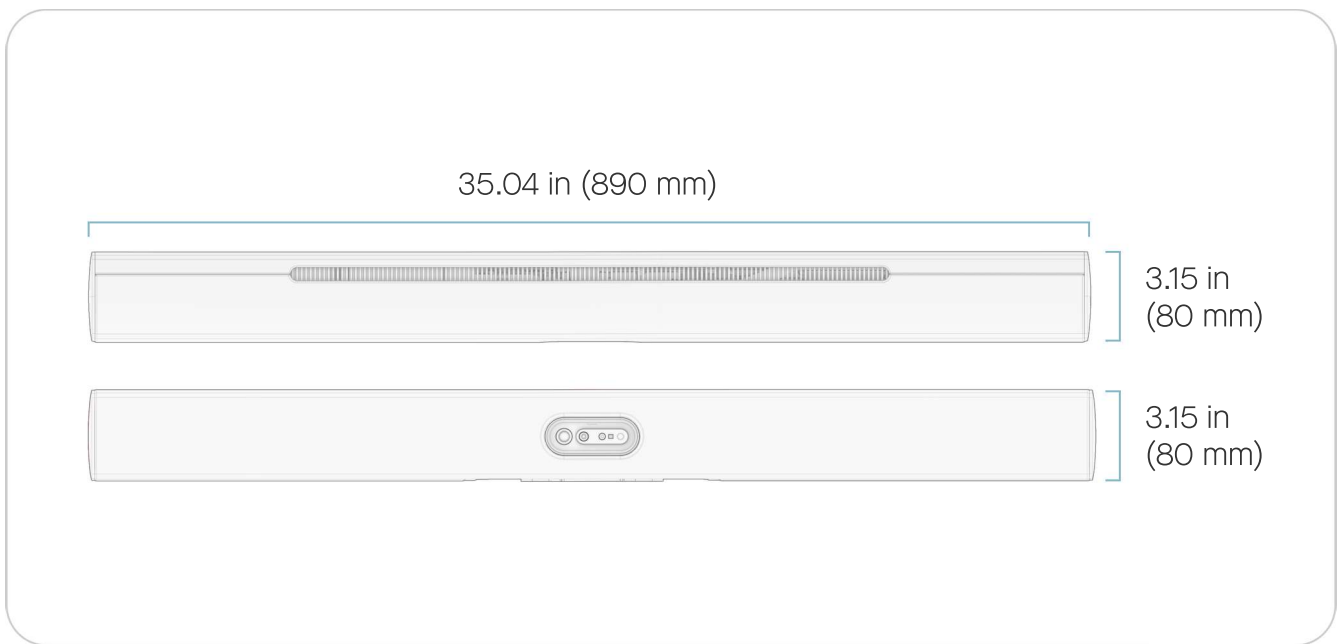
Neat Bar Pro

Width: 35.04 in (890 mm)

Height: 3.15 in (80 mm)

Depth: 3.15 in (80 mm)

Weight: 6.83 pounds (3.1 kg)



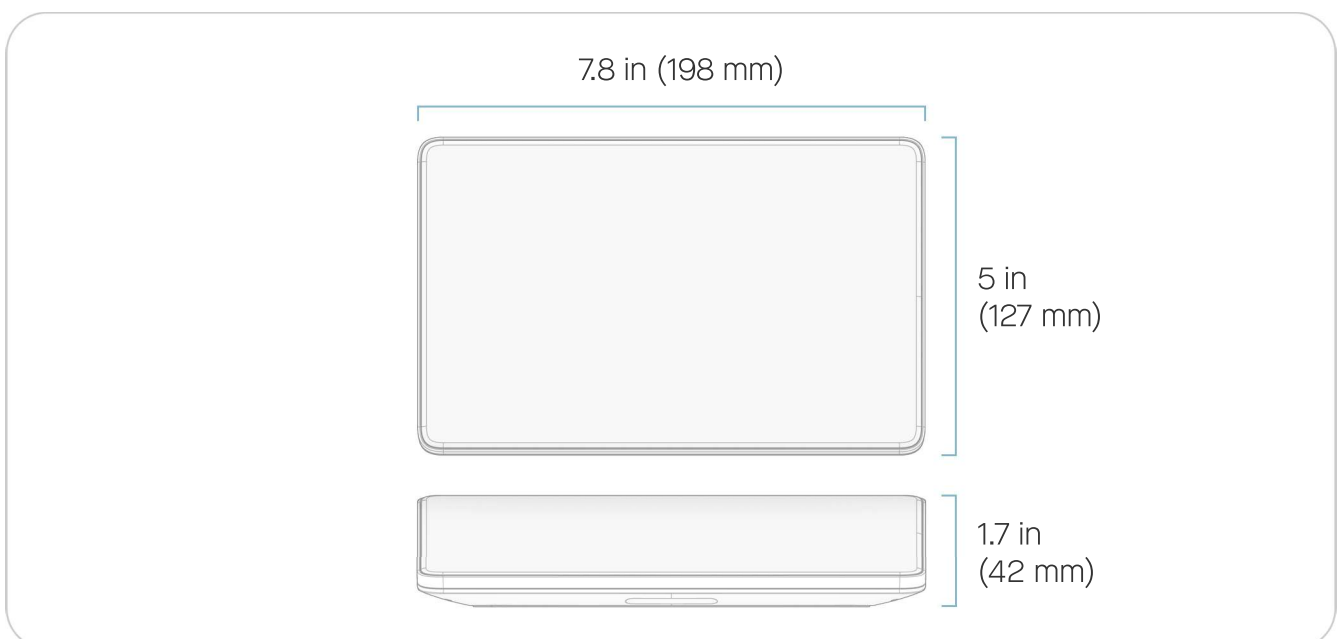
Neat Pad

Width: 7.8 in (198 mm)

Height: 1.7 in (42 mm)

Depth: 5 in (127 mm)

Weight: 1.15 pounds (520 g)



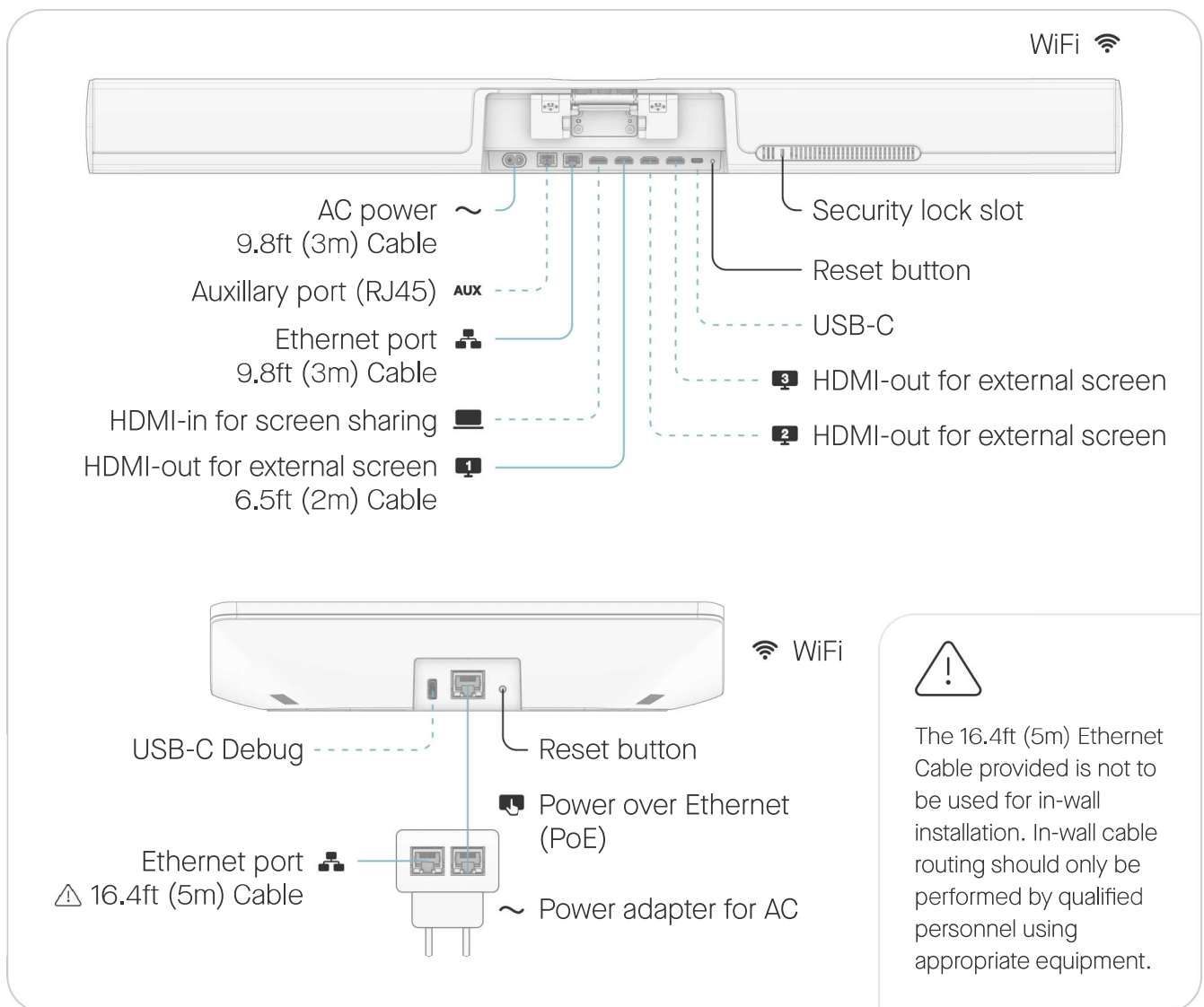
Setup & connectivity

Setup

Use the provided cables to set up Neat Bar. Connect the cables according to the illustration. Cables marked — are included. Cables marked - - - - are optional and not required for basic use of the system.

Requirements for a complete setup

Display
Internet connection
Video service



Environmental Requirements

Ambient operating temperature:
32° to 95° F (0° - 35° C)
Storage temperature: 5° - 149° F (-15° - 65° C)
Relative humidity: 20% to 80%
Network standby: <8W (after 20 minutes)

Additional Product Information

<https://neat.no/bar-pro>