

Neat Bar & Neat Pad

User Manual



neat.

Neat Bar Collaboration System



Neat Bar is a compact and highly capable meeting device.

It's perfect for bringing superior -quality audio and video to your huddle, focus and meeting spaces.

Neat Bar includes Camera, Speakers, Microphones and environmental sensors all in one compact design.

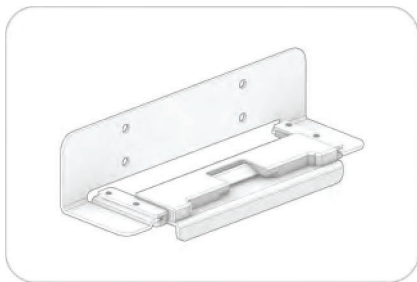
Neat Bar comes with a dedicated Neat Pad Controller and optional Scheduling Display.

Simple setup

All you need is in the box, including mounts, cables and clear instructions. So it's easy for anyone to install and set-up, above or below one or two screens.



Wall mount



Screen mount

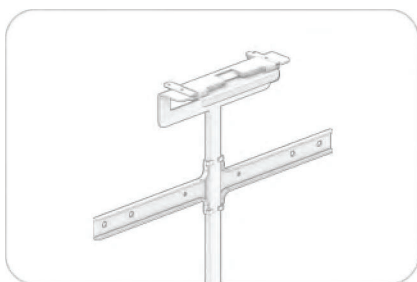
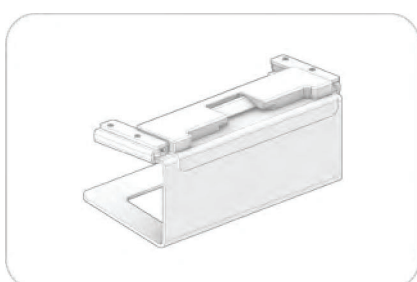


Table stand



Neat Bar

Neat Bar comes with everything you need to get started, including cables, wall mount, screen mount and table stand.



In the box

Neat Bar: All-in-one audio and video device

HDMI cable: 6.5ft (2m)

Ethernet cable: 9.8ft (3m)

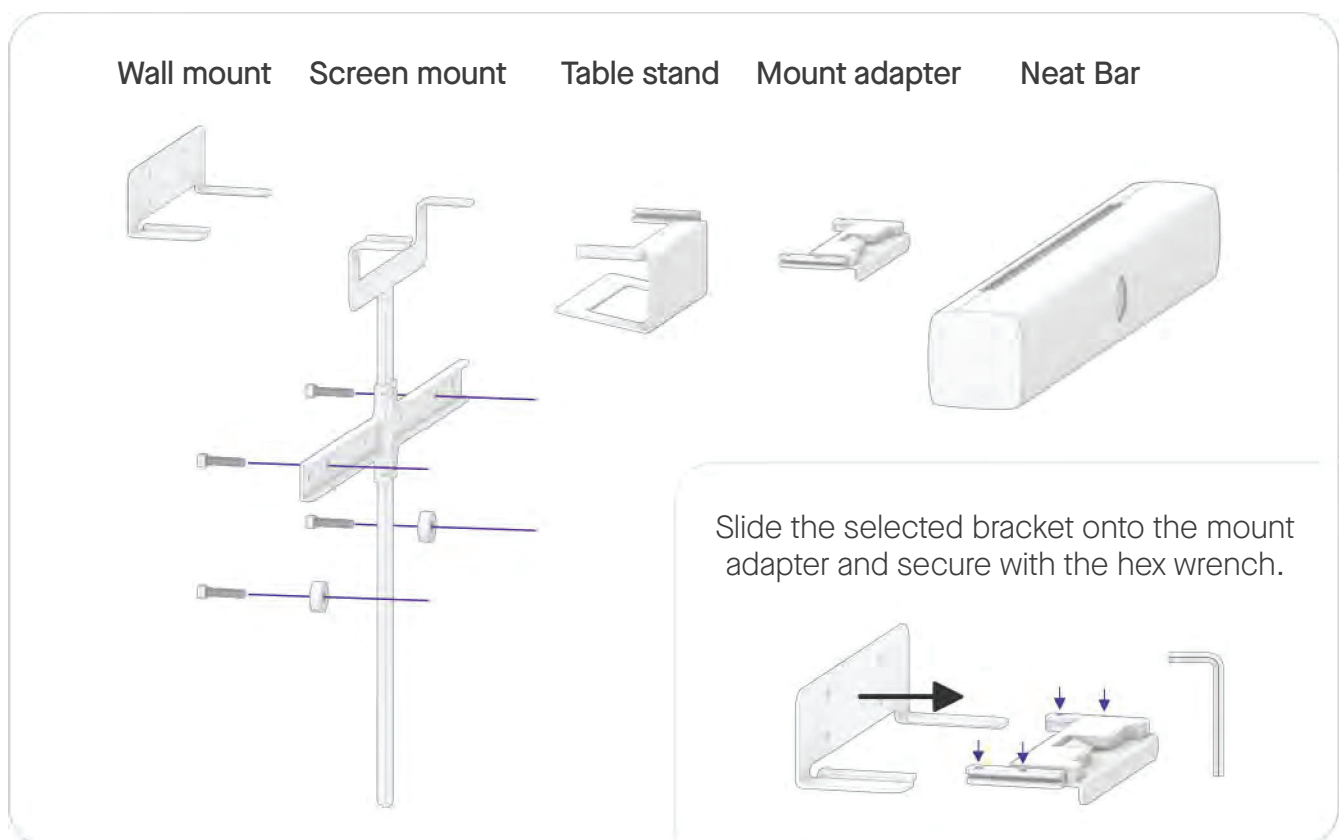
Power cord: 9.8ft (3m)

Mount adapter, wall mount, screen mount and table stand

4 × M6 screw (1.18 in / 30 mm) for VESA mount

4 × M8 screw (1.18 in / 30 mm) for VESA mount for two screen setup

2 × spacer to secure parallel TV mount



Screws for mounting to the wall are not included. Mounting on a wall should only be performed by qualified personnel in line with applicable facility and state regulations. The wall and the mounting equipment must safely withstand the load of the product.

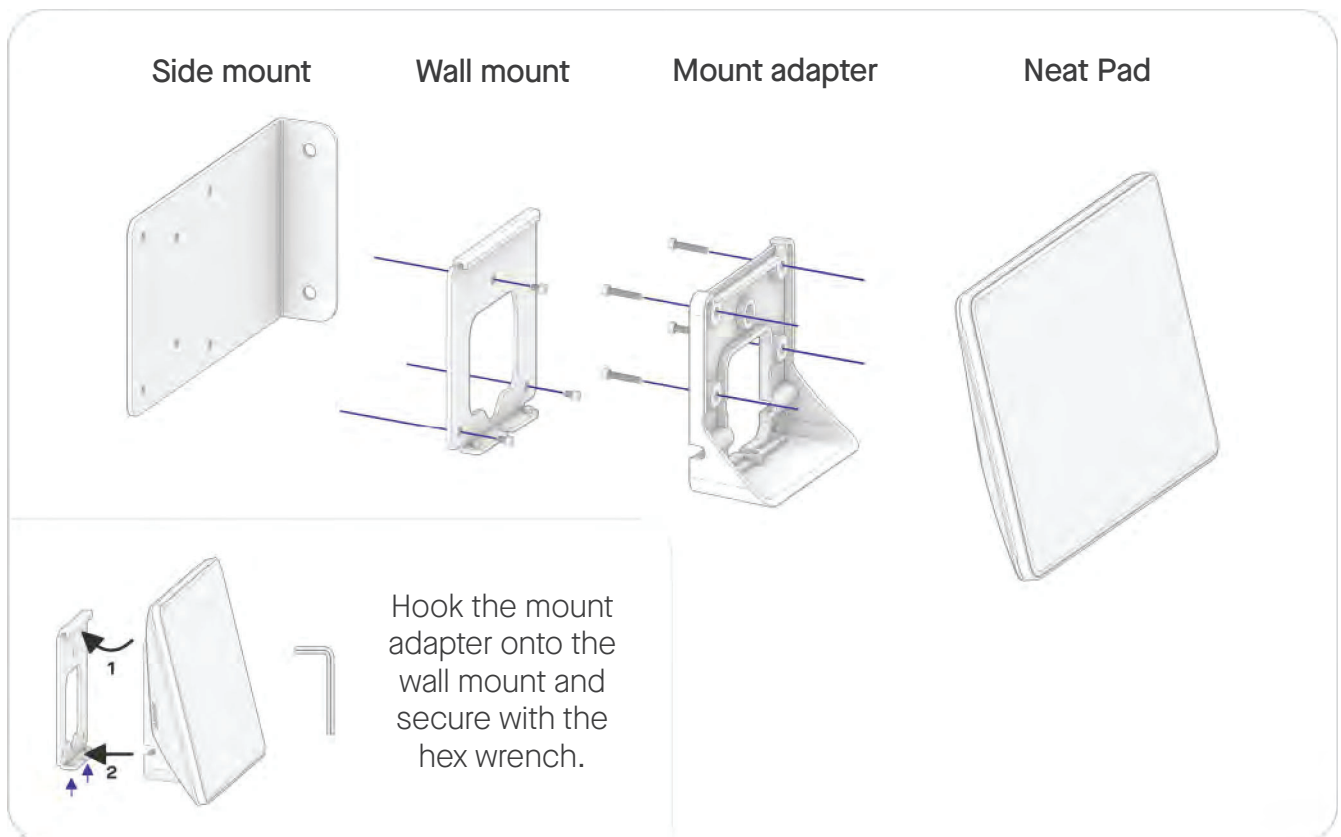
Neat Pad

Neat Pad works as a Controller for Neat Bar and can also be configured as a Scheduling Display for the Meeting Room. It comes with everything you need to get started, including cables and two different mounting options.



In the box

- Neat Pad: 8-inch touch screen
- 2 × Ethernet cable: 9.8ft (3m) + 16.4ft (5m)
- PoE power adapter
- Mount adapter, side mount and wall mount
- 4 × M4 screw (0.30 in / 7.5 mm) for the wall mount
- 3 × M4 screw (0.19 in / 4.7 mm) for the side mount

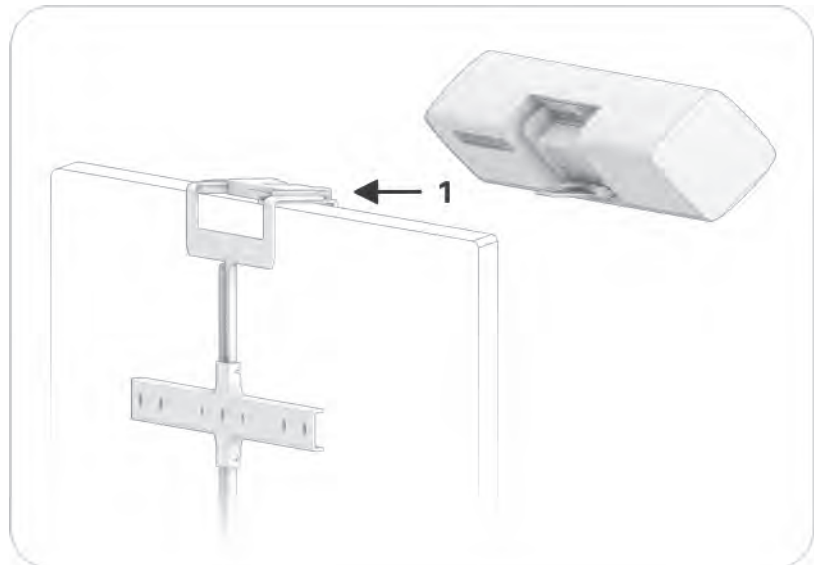


Screws for mounting to the wall are not included. Mounting on a wall should only be performed by qualified personnel in line with applicable facility and state regulations. The wall and the mounting equipment must safely withstand the load of the product.

Mounting & releasing

Mounting

Slide Neat Bar onto the selected mounting option (1). When fully inserted tilt Neat Bar back to horizontal and check if it is secure by carefully pulling it towards you.

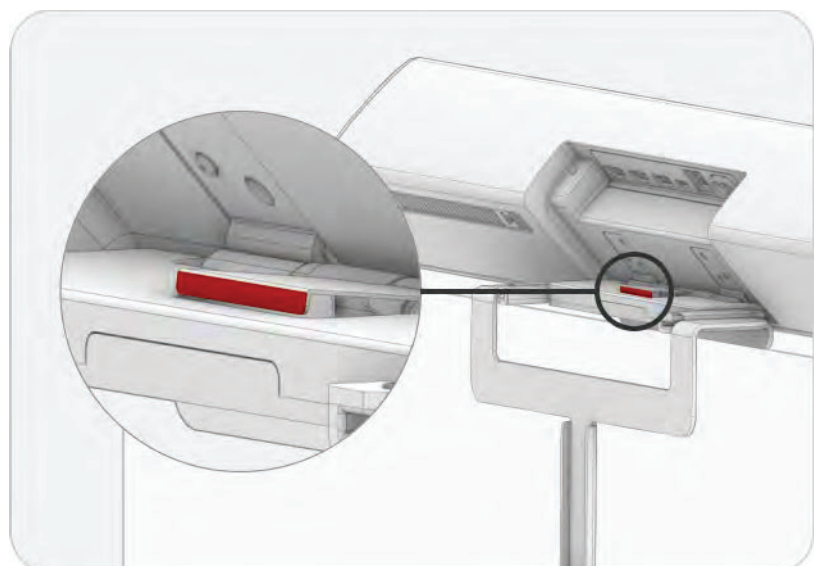


Releasing

To release Neat Bar from the selected mounting option, tilt the unit to maximum tilt (1) and carefully slide the unit towards you (2).



Warning: Do not leave Neat Bar in a max tilted position with the red indicator showing as it is not secured by the lock spring.

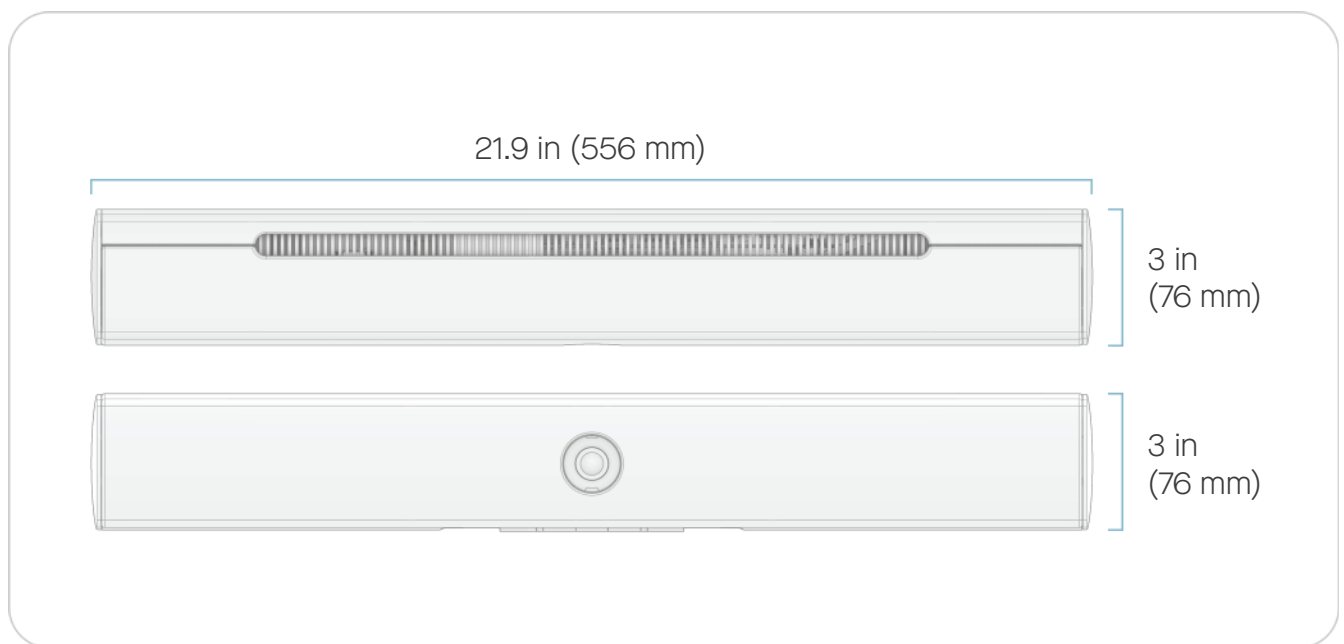


Size & weight

Neat Bar

Width: 21.9 in (556 mm)
Height: 3 in (76 mm)

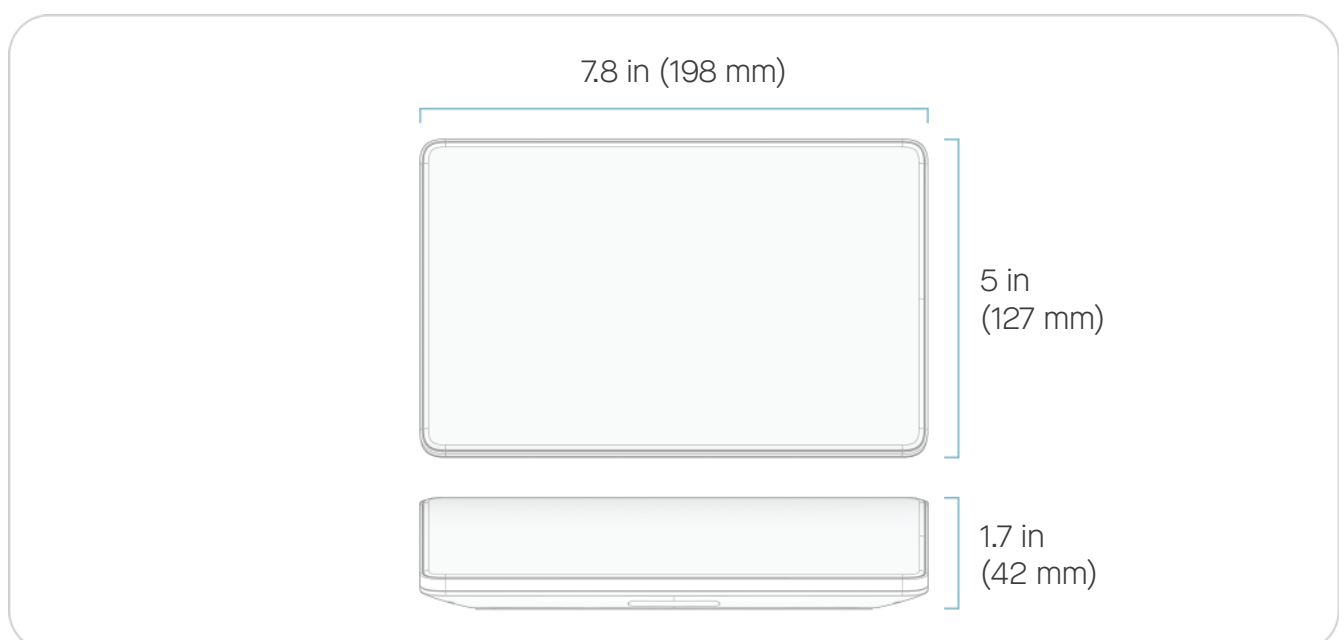
Depth: 3 in (76 mm)
Weight: 3.75 pounds (1.7 kg)



Neat Pad

Width: 7.8 in (198 mm)
Height: 1.7 in (42 mm)

Depth: 5 in (127 mm)
Weight: 1.15 pounds (520 g)



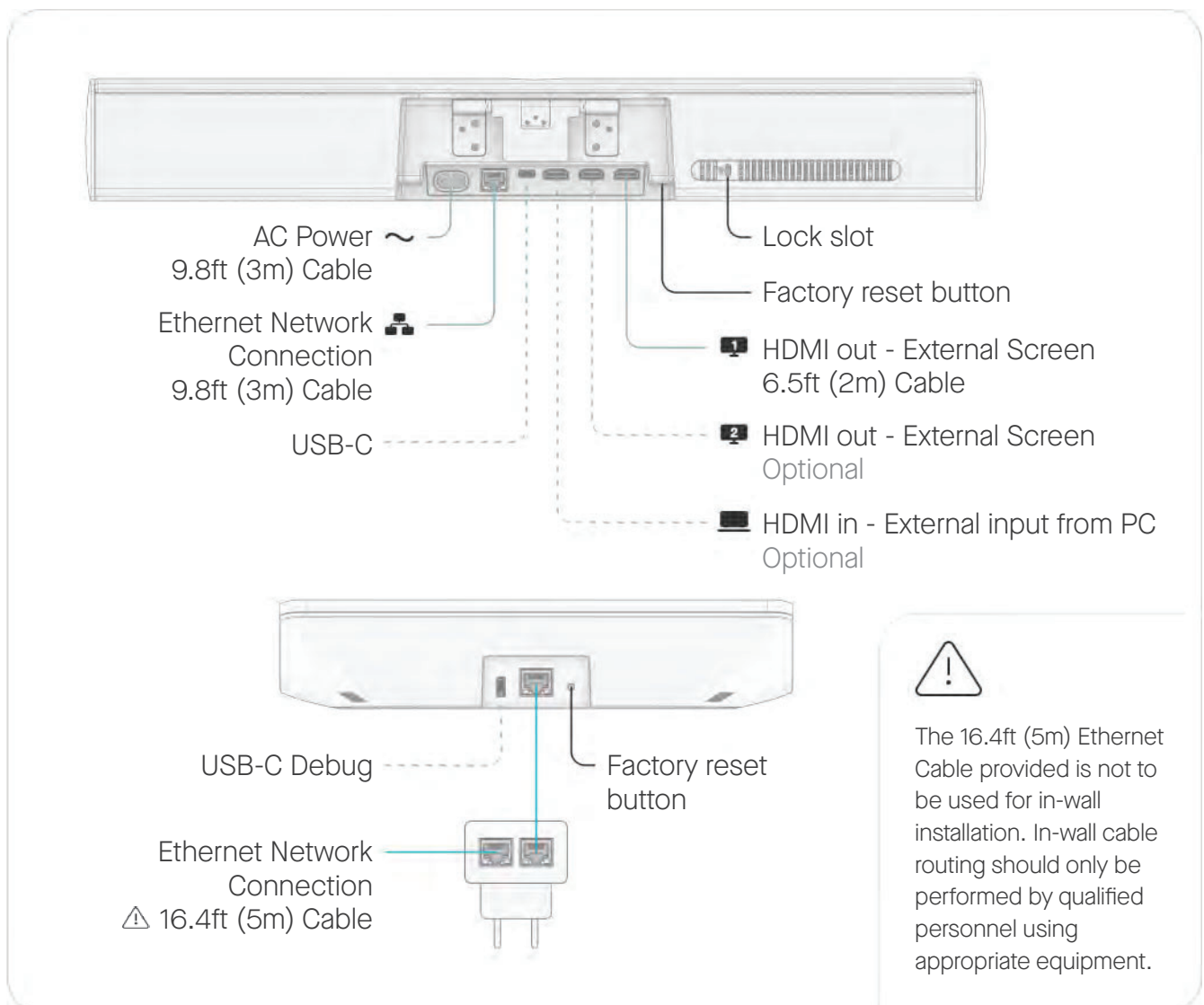
Setup & connectivity

Setup

Use the provided cables to set up the system. Connect the cables according to the illustration. Cables marked — are included. Cables marked ---- are optional and not required for basic use of the system.

Requirements for a complete setup

Display
Internet connection



Environmental Requirements

Ambient operating temperature:
32° to 95° F (0° - 35° C)
Storage temperature: 5° - 149° F (-15° - 65° C)
Relative humidity: 20% to 80%

Additional Product Information

<https://neat.no/bar>