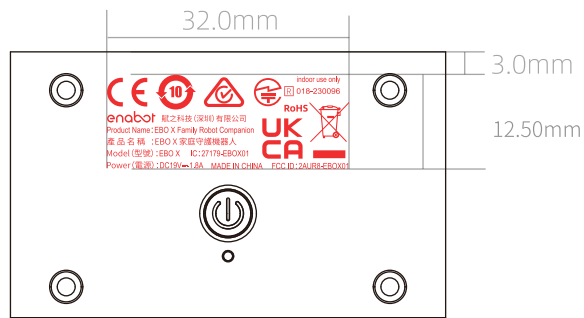
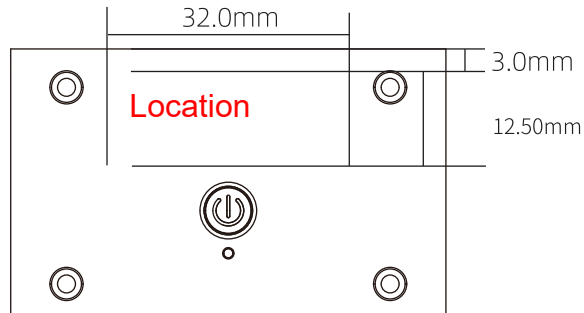


REV.	DESCRIPTION	ENGINEER/DATE
V1.2	调整位置、字体大小	吴晓婷20230301
V2.0	去掉reset键图标	吴晓婷20230329
V3.0	更新确认的编号和新增使用内容	吴晓婷20230404



Label: Due to the size, appearance, shape, cost and shell material of the product, the warning words related to the requirements of FCC Part 15.19 cannot be placed on the product mainbody, thus the content of the warning words will be described in the user manual.



深圳赋之科技有限公司 Enabot					
GENERAL TOLERANCES		DRAW/DATE:		DESCRIPTION:	
~10mm	±.05	CHECK/DATE:		DRAWING NO:	
10~30mm	±.08	APPROVE/DATE:		PART NO:	
30~50mm	±.15	PROJECT:		DRAWING FILE NAME:	
50~150mm	±.20	SCALE: FIT		ISSUE DATE:	
UNIT:mm	SIZE:	MODEL:	MATERIAL:	REV:	SHEET: