

Display Module Itself



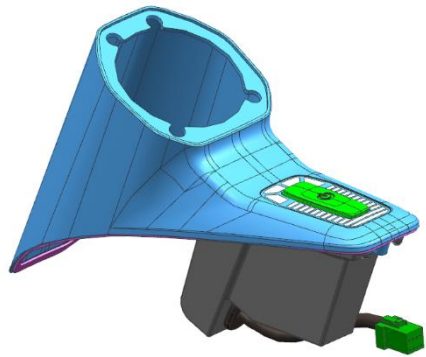
Display Top View



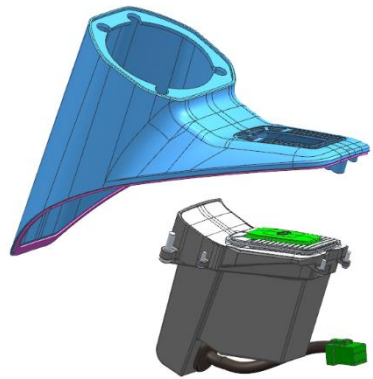
Display Side View



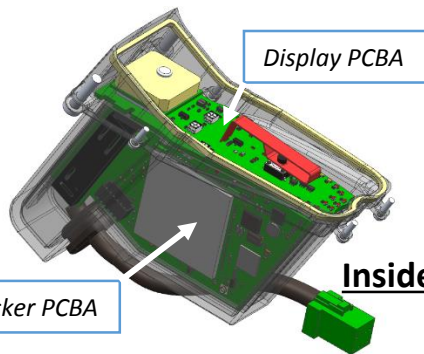
Display back View



Display Module

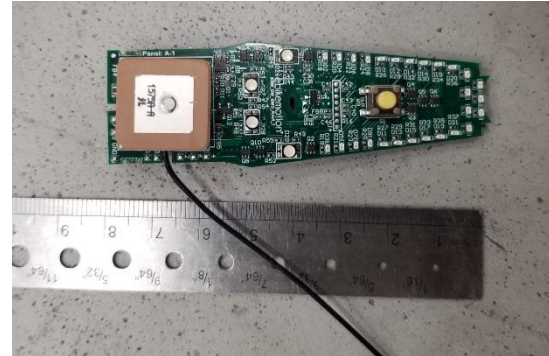


Removing Cover

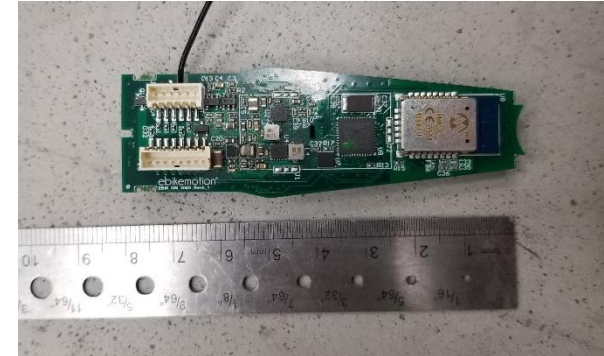


Inside Housing

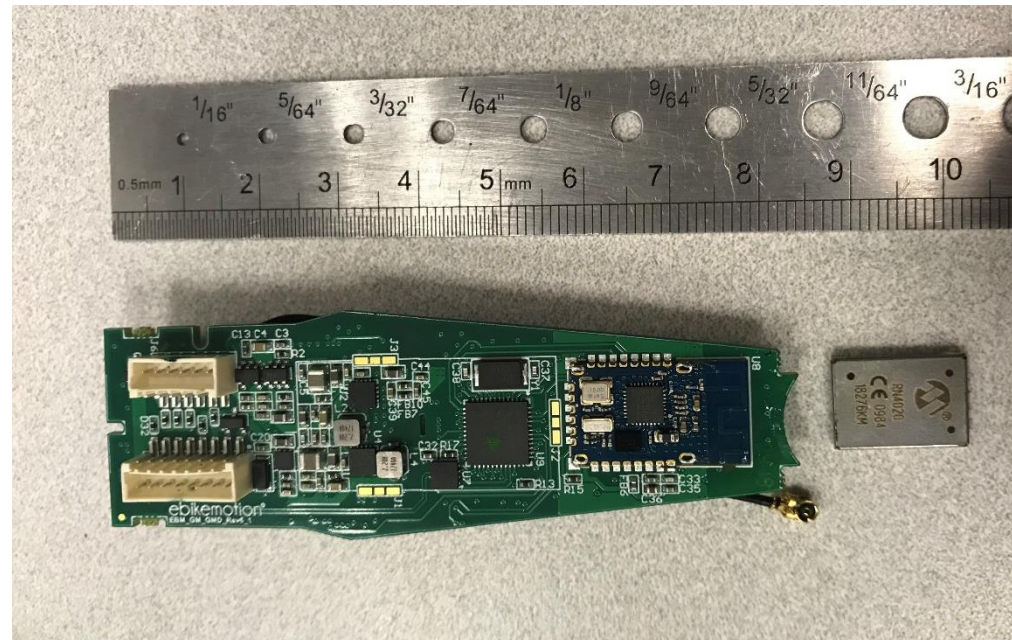
Display PCBA



Top View

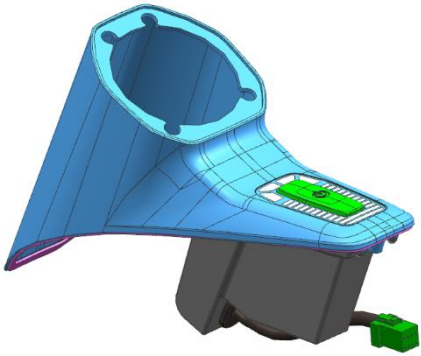


Bottom View

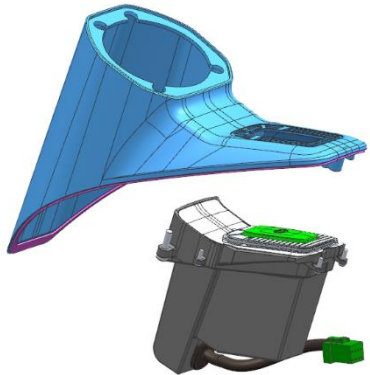


PCB Bottom View with BLE Shield removed

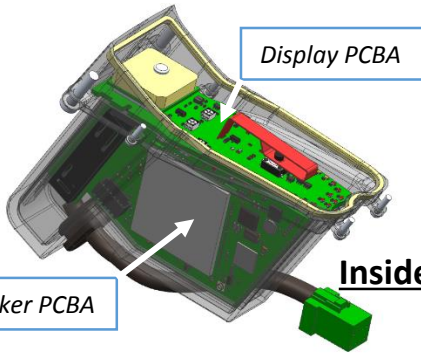
Tracker PCBA



Display Module



Removing Cover



Inside Housing



Top View



Bottom View



Tracker Top View with Metal Shield removed