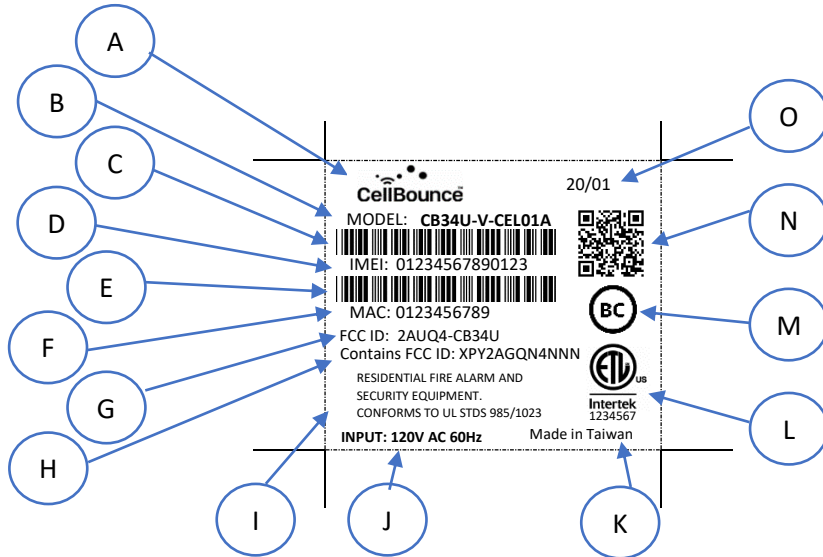


# PRODUCT LABEL

## LABEL CONTENT

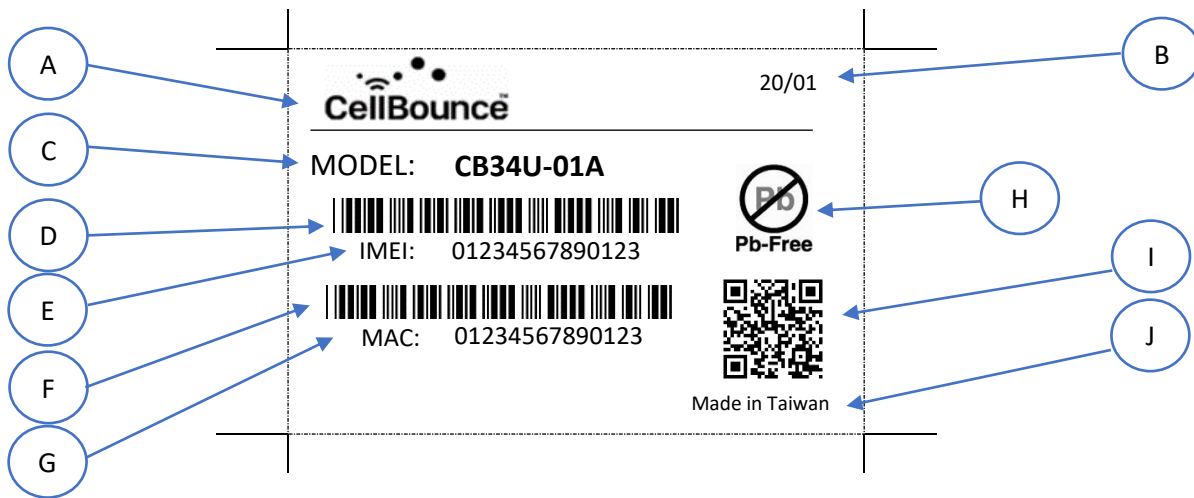
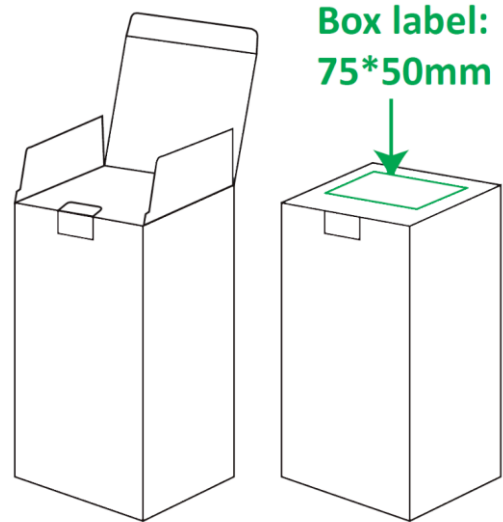


Item	Description	Format
A	Customer Logo	
B	Model #	Calibri; Size 7; Bold
C	IMEI – 2D Barcode	Code 128-B
D	IMEI – Human Readable	Calibri; Size 7
E	MAC Address – 2D Barcode	Code 128-B
F	MAC Address – Human Readable	Calibri; Size 7
G	CB34 FCC ID: Number	Icon; Calibri; Size 7
H	SARA FCC ID: Number	Icon; Calibri; Size 7
I	“RESIDENTIAL FIRE ALARM AND SECURITY EQUIPMENT CONFORMS TO UL STDS 985/1023”	Calibri; Size 5
J	Power “INPUT: 120V AC 60Hz”	Calibri; Size 6, BOLD
K	Factory of Origin “Made in Taiwan”	Calibri; Size 6
L	ETL Logo and ID Number	ICON
M	BC Logo	ICON
N	3D Barcode (IMEI, MAC #)	QR Code
O	Date Code	YY/WW



### INDIVIDUAL CARTON LABEL

After packaging & sealing the box, it will be labeled on the side. The Carton Labels will include model number, and unique product identifiers (ie. IMSI & Serial #). Target size 75mm x 50mm



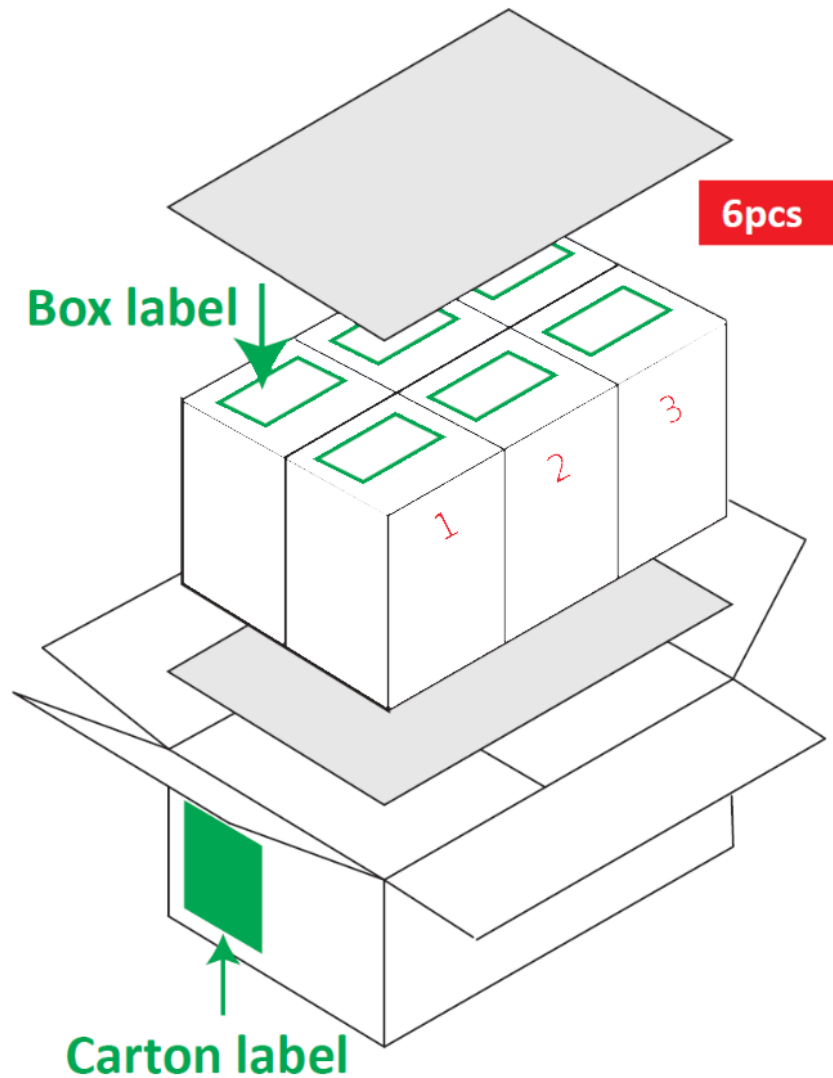
Item	Description	Format
A	Cellbounce Logo	
B	Date Code (YY/WW)	Calibri; Size 9; Bold
C	Model:	Calibri; Size 12; Bold
D	IMEI – 2D Barcode	Code 128-B
E	IMEI – Human Readable	Calibri; Size 11
F	MAC Address – 2D Barcode	Code 128-B
G	MAC Address – Human Readable	Calibri; Size 11
H	Lead Free Logo	Icon
I	3D Barcode (IMEI, MAC #)	QR Code: 14 X 14 mm

J	Factory of Origin "Made in Taiwan"	Calibri; Size 7.5

## MASTER PACK

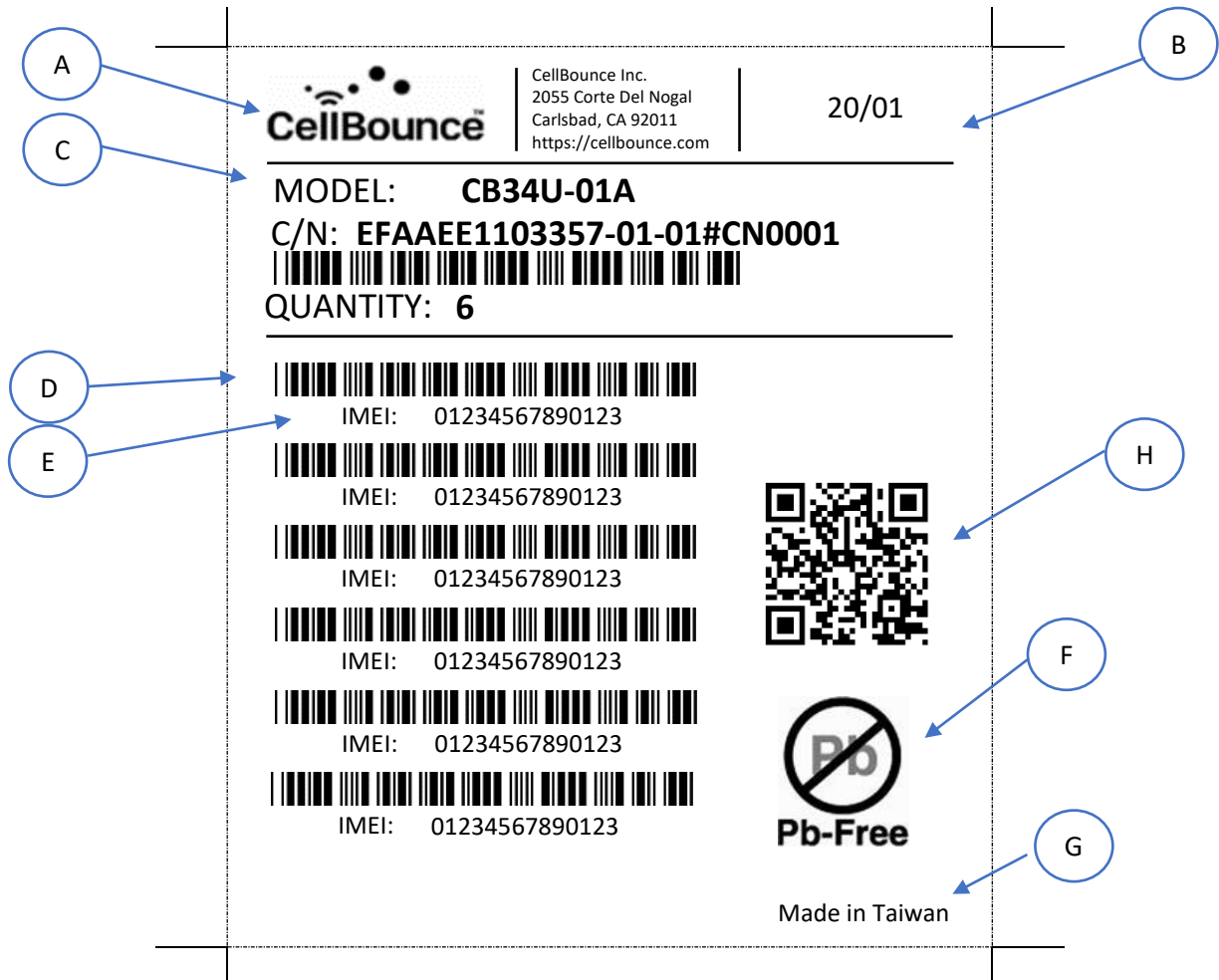
### PACKAGING

The packaged CB34U Gateways will be packed into a Master Pack box (in quantities of 6).



**MASTER PACK LABEL (CARTON LABEL)**

The Master Pack Labels will show the IMEI Numbers of all devices inside the box. (Size 100mm x 120mm)

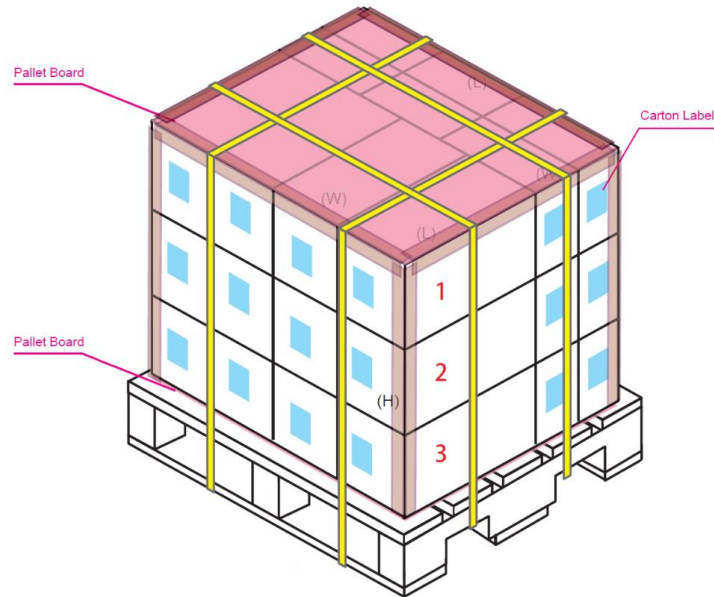


Item	Description	Format
A	Cellbounce Logo	
B	Date Code (YY/WW)	Calibri; Size 12
C	Model:	Calibri; Size 8; Bold
D	IMEI – 2D Barcode	Code 128-B
E	IMEI – Human Readable	Calibri; Size 10
F	Lead Free Logo	Icon
G	Factory of Origin “Made in Taiwan”	Calibri; Size 10
H	3D Barcode (all IMEIs of devices inside the box)	QR Code

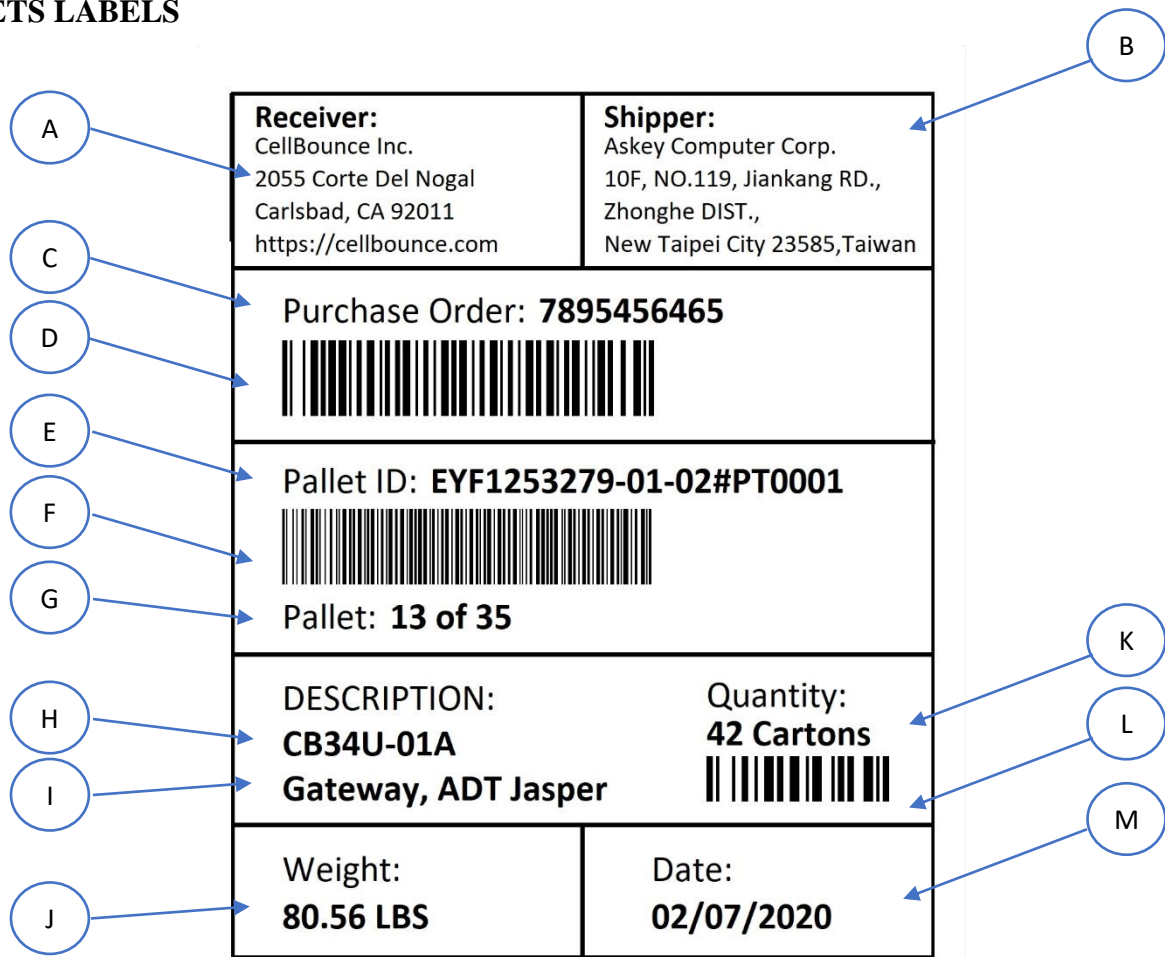
## PALLETIZATION

### PALLET LOADING

The Master Pack boxes will be stacked on Pallets and shrink wrapped for shipping.  
(6 Boxes per Carton; 14 Cartons per Layer; 3 Layers per Pallet = 42 Cartons = 252 Boxes)



## PALLETS LABELS



Item	Description	Format
A	RECEIVER's Name and Address (as defined by PO)	Calibri; Size 12
B	SHIPPER's Name and Address	Calibri; Size 12
C	Purchase Order # – Human Readable	Calibri; Size 10
D	Purchase Order # – 2D Barcode	Code 128-B
E	Pallet ID # – Human Readable	Calibri; Size 10
F	Pallet ID # – 2D Barcode	Code 128-B
G	Pallet Number and Total number of pallets in shipment	Calibri; Size 10
H	SKU Number of the CB34 (From PO and SKU Matrix)	Calibri; Size 10
I	SKU Description (From SKU Matrix)	Calibri; Size 10
J	Weight of Pallet	Calibri; Size 10
K	Number of Cartons on Pallet – Human Readable	Calibri; Size 10
L	Number of Cartons on Pallet – 2D Barcode	Code 128-B
M	Date of Shipment	Calibri; Size 10