



HP S10 Pro Bluetooth Speaker

USER MANUAL

© Copyright 2019 HP Development Company,L.P.
Printed in China

Version 1.0: September 2019



Introduction

1. Bluetooth 5.0
2. Wireless Bluetooth music playback and hands-free calls
3. TWS technology
4. TWS technology supported to make the sound stereo.
5. Supports up to 32 GB Micro-SD card.
6. Supports FLAC, APE, MP3, WMA, WAV audio file.
7. Aux-in jack and 3.5mm audio cable

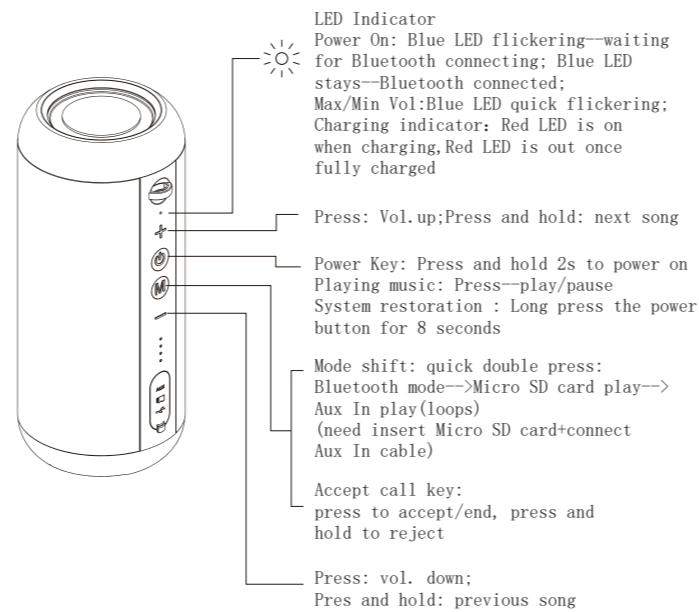
Parameter data

1. Model: HP S10 Pro
2. Micro SD card : Support no more than 32G
3. Power Supply: Built-in 3000mAh Li-ion battery
4. Charging time: DC5V-1A USB adapter, Charging time is about 5 hours
5. Trumpet: 2x60mm Internal magnetic horn
6. Output : 8W
7. Frequency Response: 150Hz-8KHz
8. BT verion : Bluetooth 5.0
9. USB: USB2.0, compatible USB 1.1
10. Product Size: 208×95×90mm
11. Product weight: 645g (Including built-in Lithium battery)

Packing details

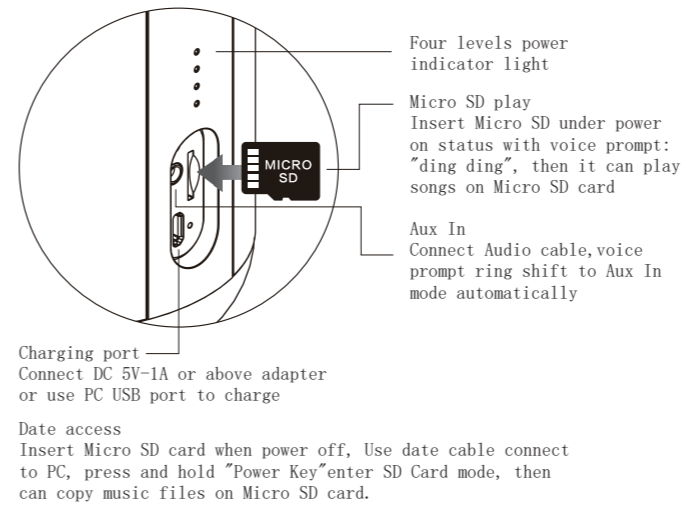
1. HP S10 Pro Speaker *1
2. Micro USB Charging *1
3. 3.5MM Audio cable 1pc *1
4. Lanyard *1
5. User manual *1
6. Warranty Card *1

Buttons' function



Bluetooth disconnect
Long Press and "M" at the same time can disconnect current device, and E8 goes to discoverable status;
If short press "power key" can reconnect last Bluetooth device

Ports' function indicator

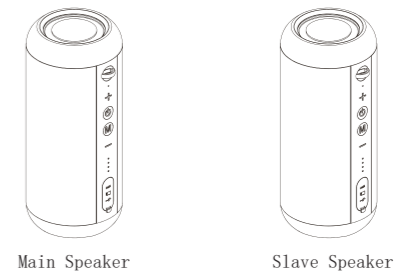


Bluetooth connecting

1. Power on
Long Press and hold "power key" 2s, with voice prompt ring Bluetooth LED flickering, waiting to connect.
2. Bluetooth connect
Go to device's Bluetooth page, find and connect the pairing name: HP S10 Pro BT Speaker With a voice "dong dong ding" and the Blue LED stays.

Can connect HP S10 Pro BT Speaker automatically once open the device's Bluetooth function in next use.

True wireless stereo function



1. TWS connection
Power on both HP S10 Pro., and both under disconnect status, choose one of them and short press "+" "-" at the same time once connected, the other E8's LED will stays.
2. Let TWS speakers connect to Bluetooth device
Go to the device's Bluetooth page, and find HP S10 Pro BT Speaker to connect, the LED will stay.
3. TWS disconnect
Take each of them, press "+" "-" at the same time, can disconnect TWS.
01. Let 2pcs HP S10 Pro BT Speaker connect, for the 1st one you press "+" "-", this one is the main speaker(left channel), and the other one is the follow speaker(right channel).
02. Only support 2pcs speakers under TWS connection.
03. Will keep precious main/fellow relationship and reconnect TWS for next time use.
04. Once TWS connected, fellow speaker's LED keeps stay, and main speaker's LED indicates the status of play, pause, Bluetooth connection etc.
05. Under TWS, operate each of them, the other one has synchronous operation.

Care and Maintenance

Read manual before product use in order to help you comply with the warranty and extend the life of the product.

- Keep the product dry, do not place the product in a damp place, so as not to affect the internal circuit of the product;
- Avoid using this product during intense exercise or sweating to prevent sweat from penetrating into the product and damaging it.
- Do not place the product in a place exposed to the sun or high temperatures. High temperatures will shorten the life of electronic components, damage to the battery and deformation of some plastic parts.
- Do not place the product in a cold place to avoid damaging the internal circuit board.
- Do not attempt to disassemble the product. If you are not a professional guy, otherwise you may damage the product.
- Do not drop, strongly vibrate, or hit the product with hardware to avoid damaging internal circuits.
- Do not use harsh chemicals or detergents to clean the speaker.
- Do not use sharp objects on the surface of the product to avoid damage to the outer casing and affect the appearance. If the product is not working properly, please send it to the qualified service organization.

Important Safety Information

1. To ensure your personal safety, do not place the speaker too close to the pacemaker (less than 10CM).
2. Do not plug the adaptor into a power outlet.
3. This is not a Children's toy, children should use this product under the supervision of an adult.
4. It may damage your hearing if you use the speaker at high volume and with long time.
5. A sharp sound may be heard when operating a hi-fi speaker switch or when plugging into a speaker, it may affect your hearing at high volume. Therefore, it is better turning down the volume to the minimum before switching between various sources or inserting earphone.
6. For your safety, please do not use speaker when you driving and riding a bicycle.



Printed in China

QC PASS

CMIIT ID:XXXXXXXX

Model: HP S10 Pro
Rating: 3.7V /1000 mA
Battery: Lithium polymer battery

Precautions

- 1: If the battery is not properly replaced, there is a danger of explosion and it can only be replaced with a battery of the same type or equivalent one.
2. The battery must not be exposed to sunlight, fire, or similar overheating conditions.
3. Consumers who use the power adapter to charge should buy a power adapter that is CCC certified and meet the standard requirements.

Disposal of waste equipment in private homes by users in EU countries
The inclusion of this symbol on the product or packaging indicates that this product must not be disposed of as general household waste. Moreover, it is your responsibility to send the discarded equipment to the designated waste electrical and electronic equipment collection point. The collection and recycling of such waste equipment helps to conserve natural resources and benefit human health. For more information about recycling your waste equipment, contact your local city office, your household waste disposal station, or the shop where you purchased the product.

Model number : HP S10 Pro Bluetooth Speaker		Model: HP S10 Pro				
Unit	Restricted substances and their chemical symbols					
	Lead (Pb)	Mercury (Hg)	Cadmium (Cd)	Hexavalent chromium (Cr+6)	Polybrominated biphenyls (PBB)	Polybrominated diphenyl ethers (PBDE)
PCB board	○	○	○	○	○	○
Shell	○	○	○	○	○	○
Cable	○	○	○	○	○	○
Accessory	○	○	○	○	○	○

Remark 1: "Exceeds 0.1wt%" and "exceeds 0.01 wt%" means that the percentage of the restricted substance exceeds the percentage content reference value.
Remark 2: "○" means that the percentage of the restricted substance does not exceed the percentage content reference value.
Remark 3: "-" means that the restricted substance is an exclusion item.



CMIIT ID:XXXXXXXX

This device complies with part 15 of the FCC Rules. Operation is subject to the following two conditions: (1) this device may not cause harmful interference, and (2) this device must accept any interference received, including interference that may cause undesired operation.

Any changes or modifications not expressly approved by the party responsible for compliance could void the user's authority to operate the equipment.

NOTE: This equipment has been tested and found to comply with the limits for a Class B digital device, pursuant to Part 15 of the FCC Rules. These limits are designed to provide reasonable protection against harmful interference in a residential installation. This equipment generates, uses and can radiate radio frequency energy and, if not installed and used in accordance with the instructions, may cause harmful interference to radio communications. However, there is no guarantee that interference will not occur in a particular installation.

If this equipment does cause harmful interference to radio or television reception, which can be determined by turning the equipment off and on, the user is encouraged to try to correct the interference by one or more of the following measures:

- Reorient or relocate the receiving antenna.
- Increase the separation between the equipment and receiver.
- Connect the equipment into an outlet on a circuit different from that to which the receiver is connected.
- Consult the dealer or an experienced radio/TV technician for help. The device has been evaluated to meet general RF exposure requirement. The device can be used in portable exposure condition without restriction

FCC ID: 2AUPZ-HPS10PRO