

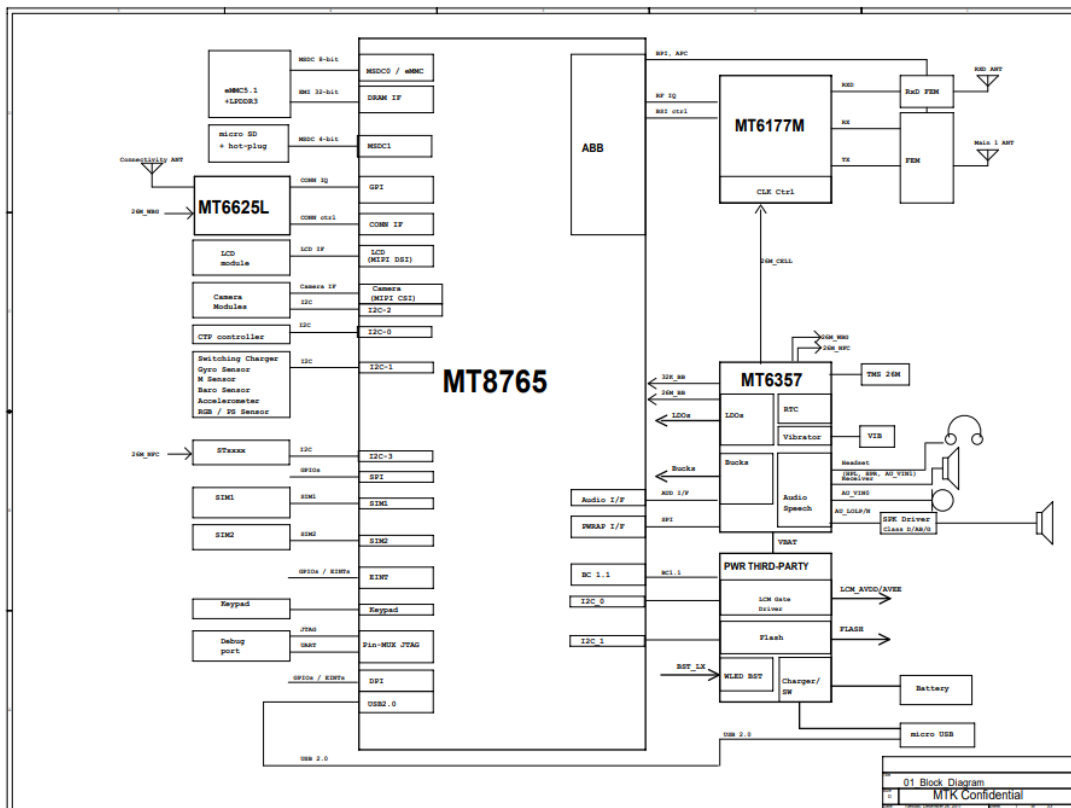
# Difference description

Model No.(EUT):T8

FCC ID: 2AUOUT8

Material change list :

Change request					
Involved to change the model	AS8E2H2WH2FF90HD8091000, AS8E2H2WH2FF90HD8091002	Before the change	U5003=YL19-012109-0001/RFTIP2109BTM5T62/Triplexer for GPS&WIFI(2.4G/1.57G/5G)	After the change	The replacement material is: U5003=YL19-01450G-0001/SLFT21-2R450G-027/Triplexer for GPS&WIFI (2.4G/1.57G/5G) The
			U3418=YL20-008680-0001/MXD8680/SP8T		replacement material is: U3418=YL20-001618-0002/VC1618A/SP8T Switch
			U3916=YL20-007916-0006/VC7916-51/GSM/GPRS/EDGE /TD-SCDMA/TD-LTE 4-segment RF power amplifier and 16T antenna switch Encapsulation QFN38 5.5mmX5.3mmX0.83mm		U3916=YL20- 007916-0008/VC7916-51-1/GSM/GPRS/EDGE/TD-SCDMA/TD-LTE 4-segment RF power amplifier and 16T antenna switch Encapsulation QFN38 5.5mmX5.3mmX0.83mm
			U4201=YL20-0432G0-0038/MEMA032G-M0S00/EMMC, 5.1, 32GB, TLC, 11.5mm x 13mm x 1mm, BGA153		U4201=YL20-04F32G-0003/MEMA032G-MOD01/EMMC, 5.1HS400, 32GB, TLC, 1.8/3.2V, BGA153



1.U3916=VC7916-51 main function: GSM/GPRS/EDGE RF power amplifier and 16T antenna switch

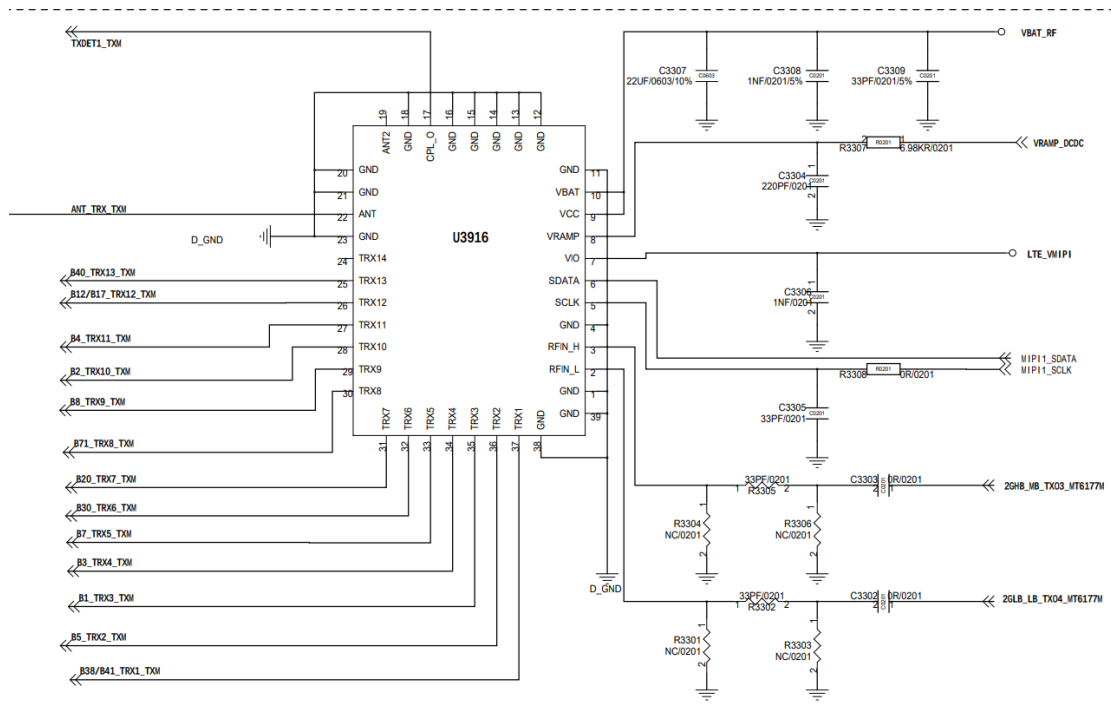
Reason for replacement:

**Different batches of PA (VC7916-51) have been replaced.**

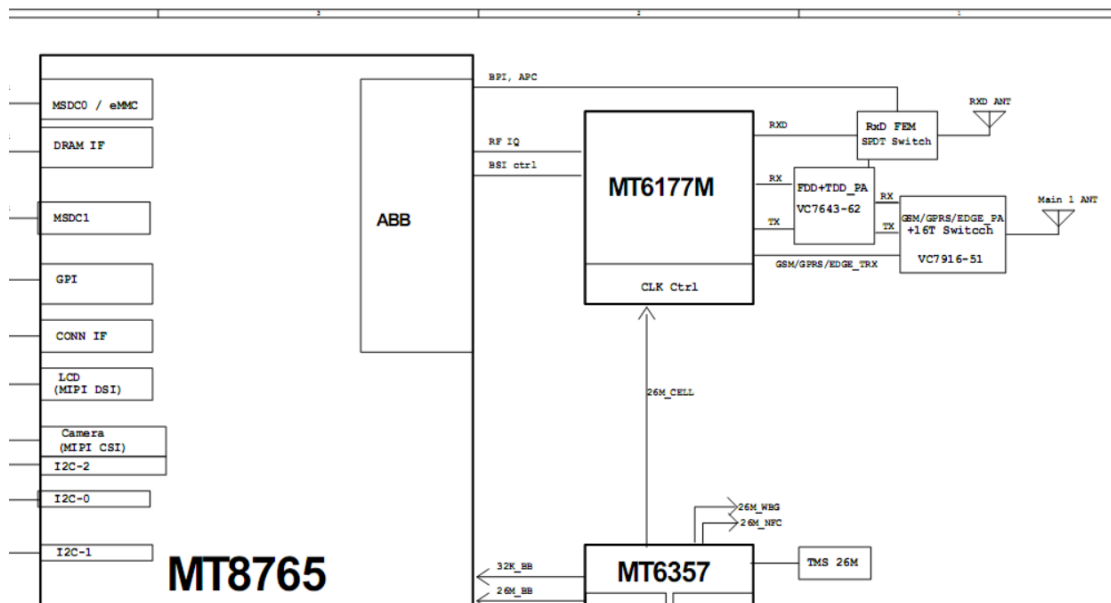
**Different batches refer to substrates supplied by different substrate suppliers at different times, and PA produced and processed by different processing plants. There are no other differences.**

The PA PIN before replacement is the same as the PA PIN after replacement, there is no change.

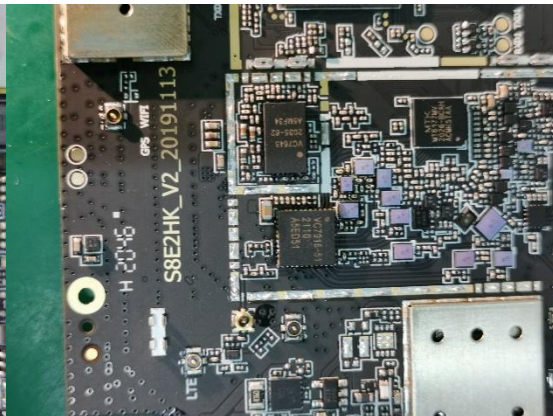
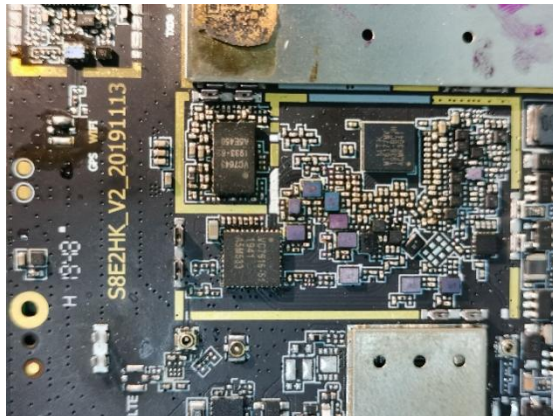
The definition and function of PA PIN are as follows:



RF Schematic diagram working architecture:



Physical PA diagrams of different batches as below:



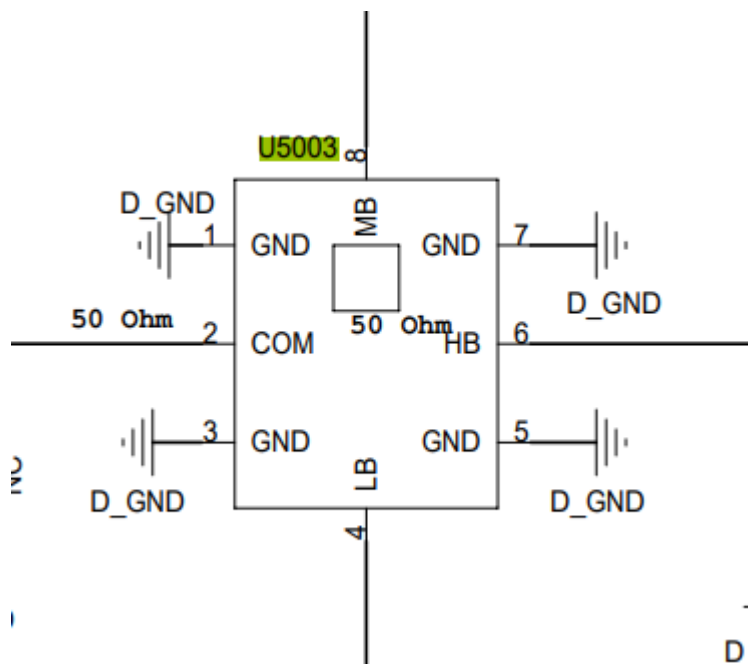
2, U3916=SLFT21-2R450G-02T Triplexer for GPS&WIFI (2.4G/1.57G/5G) Main function: 2.4G/1.57G/5G power splitter

Reason for replacement:

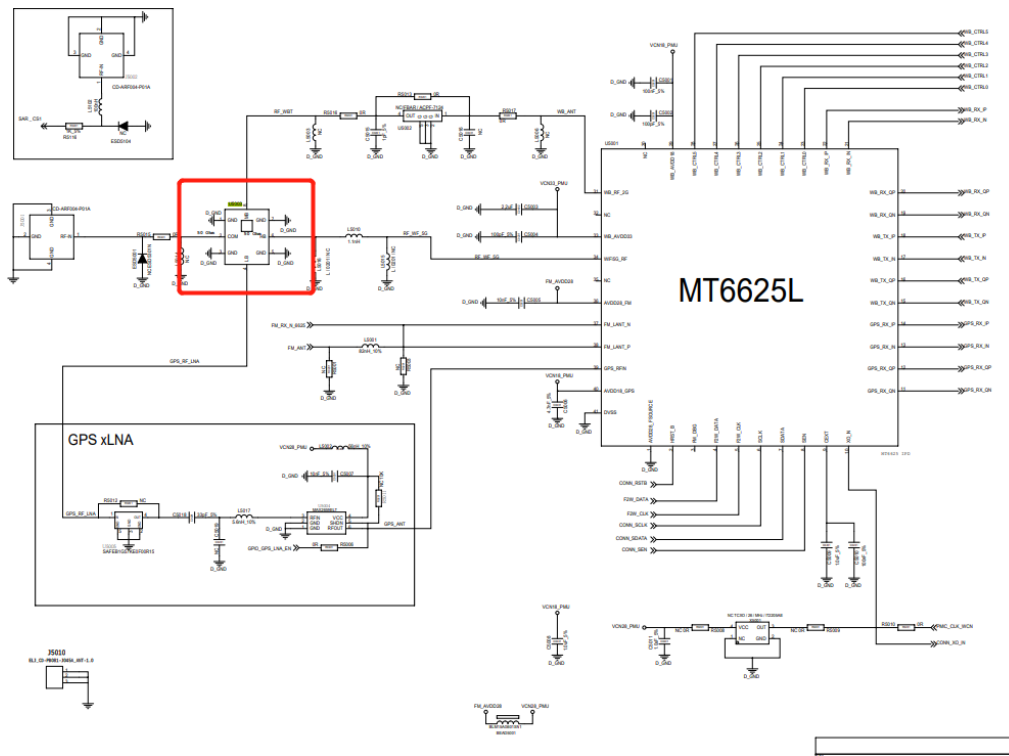
**Due to market supply, the purchase of different batches refers to the power dividers produced and processed by different processing plants at different times, supplied by different suppliers. There are no other differences.**

The PA PIN before replacement is the same as the PA PIN after replacement, there is no change

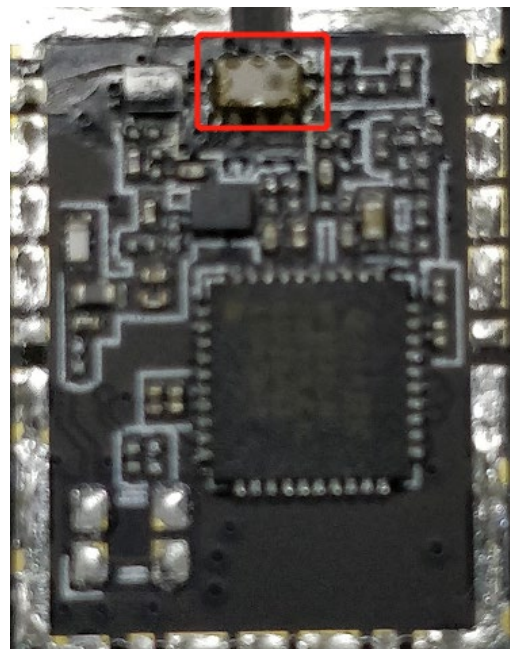
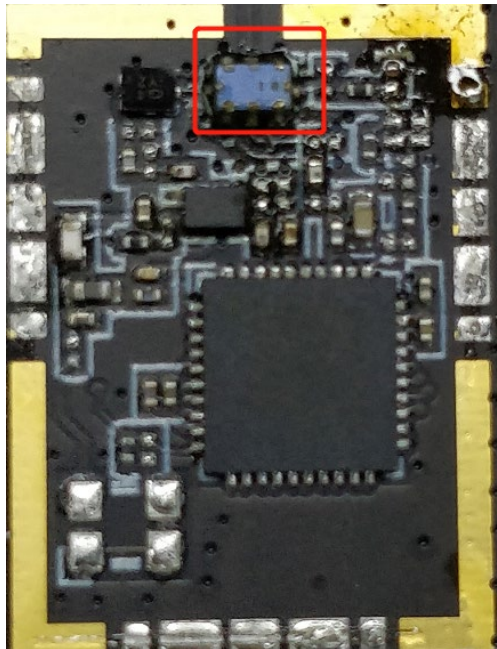
The definition and function of PA PIN are as follows:



**RF Schematic diagram working architecture:**



**Physical images of different batches as below :**



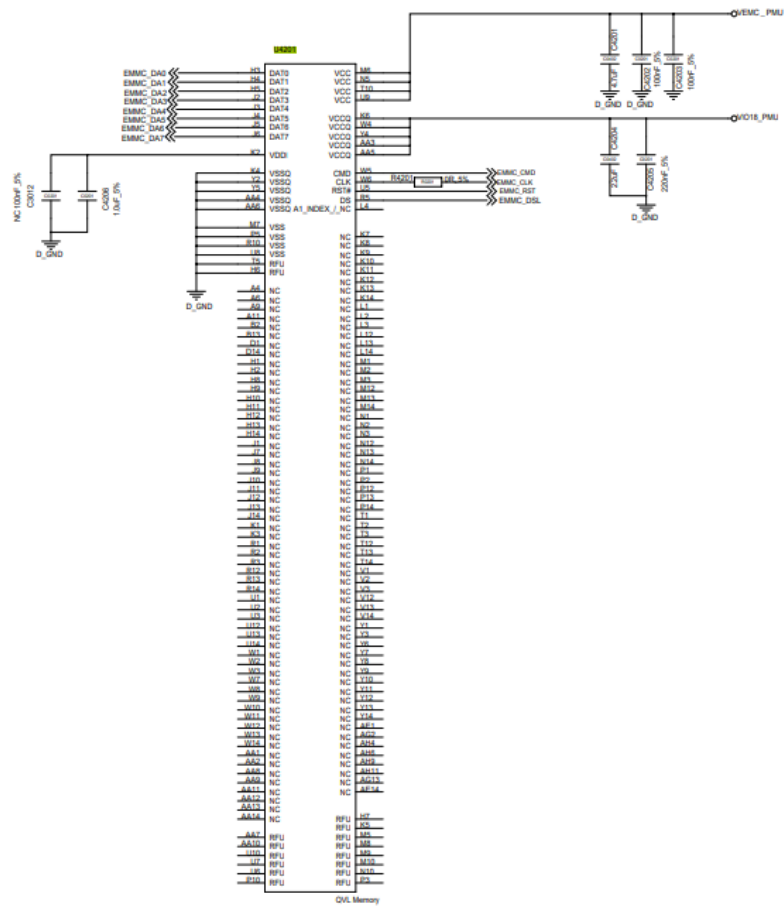
3. U3418=VC1618A SP8T Switch main function: WCDMA/LTE diversity receiving antenna switch

**Reason for replacement:**

**Due to market supply, different batches of purchase refer to products supplied by different suppliers at different times, and produced and processed by different processing plants. There**



The definition and function of PA PIN are as follows:



Physical images of different batches as below :





Signature:

Name: Bahron Alipour

Title: COO