



REPORT No.: SZ23080047S02

## Annex C Plots of System Performance Check

Test Laboratory: Shenzhen Morlab Communications Technology Co., Ltd.

Date: 2023.10.19

## System Check\_835MHz\_HAC\_RF\_E

Communication System: UID 0, CW (0); Frequency: 835 MHz; Duty Cycle: 1:1

Medium: Air Medium parameters used:  $\sigma = 0$  S/m,  $\epsilon_r = 1$ ;  $\rho = 0$  kg/m<sup>3</sup>

Ambient Temperature : 23.2 °C;

DASY5 Configuration:

- Probe: ER3DV6 - SN2434; ConvF(1, 1, 1) @ 835 MHz; Calibrated: 2023.2.17
- Sensor-Surface: (Fix Surface), Sensor-Surface: 0mm (Fix Surface)
- Electronics: DAE4 Sn1643; Calibrated: 2023.2.22
- Phantom: HAC Test Arch with AMCC; Type: SD HAC P01 BA;
- Measurement SW: DASY52, Version 52.10 (4); SEMCAD X Version 14.6.14 (7501)

**Hearing Aid Compatibility Test (81x401x1):** Interpolated grid: dx=0.5000 mm, dy=0.5000 mm

Maximum value of Total (interpolated) = 121.34 V/m

Device Reference Point: 0, 0, -6.3 mm

Reference Value = 58.44 V/m; Power Drift = -0.11 dB

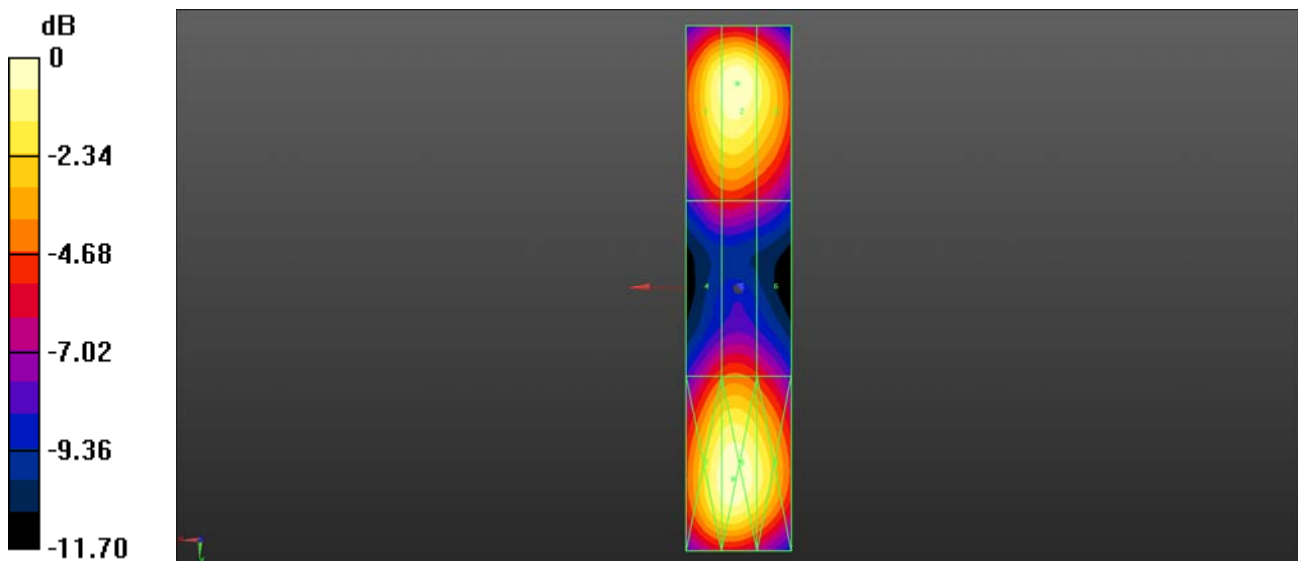
Applied MIF = 0.00 dB

RF audio interference level = 41.68 dBV/m

**Emission category: M3**

MIF scaled E-field

Grid 1 <b>M3</b> <b>41.14 dBV/m</b>	Grid 2 <b>M3</b> <b>41.66 dBV/m</b>	Grid 3 <b>M3</b> <b>40.63 dBV/m</b>
Grid 4 <b>M4</b> <b>36.94 dBV/m</b>	Grid 5 <b>M4</b> <b>37.95 dBV/m</b>	Grid 6 <b>M4</b> <b>36.45 dBV/m</b>
Grid 7 <b>M3</b> <b>41.33 dBV/m</b>	Grid 8 <b>M3</b> <b>41.68 dBV/m</b>	Grid 9 <b>M3</b> <b>40.56 dBV/m</b>



0 dB = 121.34 V/m = 41.68 dBV/m

Test Laboratory: Shenzhen Morlab Communications Technology Co., Ltd.

Date: 2023.11.24

## System Check\_1880MHz\_HAC\_RF\_E

Communication System: UID 0, CW (0); Frequency: 1880 MHz; Duty Cycle: 1:1

Medium: Air Medium parameters used:  $\sigma = 0$  S/m,  $\epsilon_r = 1$ ;  $\rho = 0$  kg/m<sup>3</sup>

Ambient Temperature : 23.2 °C;

DASY5 Configuration:

- Probe: ER3DV6 - SN2434; ConvF(1, 1, 1) @ 1880 MHz; Calibrated: 2023.2.17
- Sensor-Surface: (Fix Surface), Sensor-Surface: 0mm (Fix Surface)
- Electronics: DAE4 Sn480; Calibrated: 2023.9.19
- Phantom: HAC Test Arch with AMCC; Type: SD HAC P01 BA;
- Measurement SW: DASY52, Version 52.10 (4); SEMCAD X Version 14.6.14 (7501)

**Hearing Aid Compatibility Test (81x321x1):** Interpolated grid: dx=0.5000 mm, dy=0.5000 mm

Maximum value of Total (interpolated) = 97.27 V/m

Device Reference Point: 0, 0, -6.3 mm

Reference Value = 73.56 V/m; Power Drift = -0.08 dB

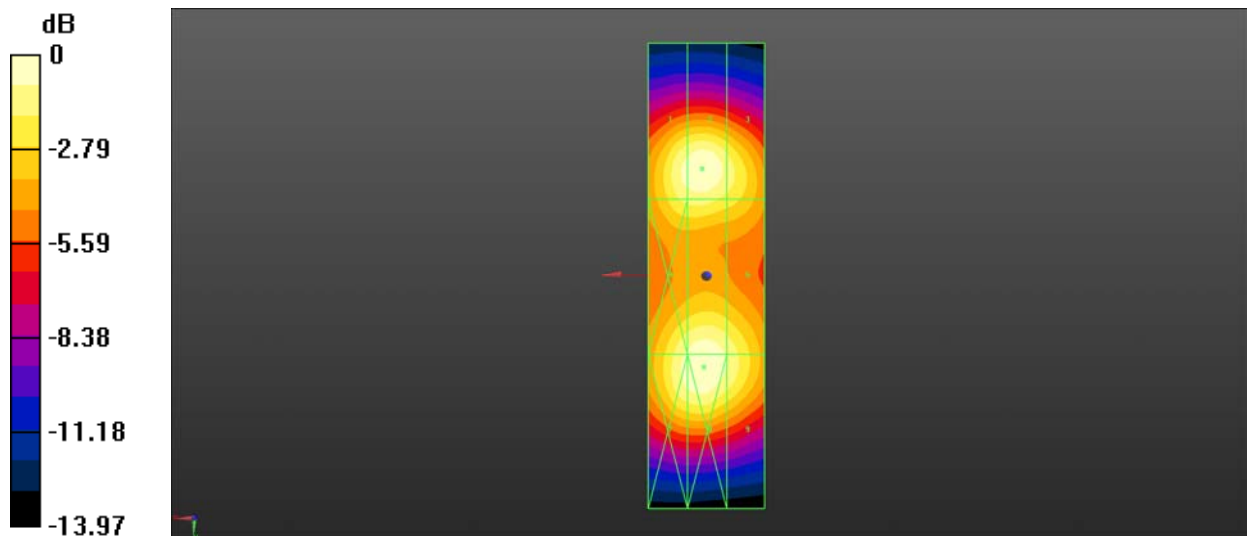
Applied MIF = 0.00 dB

RF audio interference level = 39.76 dBV/m

**Emission category: M2**

MIF scaled E-field

Grid 1 <b>M2</b> <b>39.35 dBV/m</b>	Grid 2 <b>M2</b> <b>39.68 dBV/m</b>	Grid 3 <b>M2</b> <b>38.46 dBV/m</b>
Grid 4 <b>M2</b> <b>39.12 dBV/m</b>	Grid 5 <b>M2</b> <b>39.57 dBV/m</b>	Grid 6 <b>M2</b> <b>38.78 dBV/m</b>
Grid 7 <b>M2</b> <b>39.38 dBV/m</b>	Grid 8 <b>M2</b> <b>39.76 dBV/m</b>	Grid 9 <b>M2</b> <b>38.83 dBV/m</b>



0 dB = 97.27 V/m = 39.76 dBV/m

Test Laboratory: SAR Lab. of Shenzhen Morlab Communications Technology Co., Ltd.

Date: 2023.11.24

## System Check\_2450MHz\_HAC\_RF\_E

Communication System: UID 0, CW (0); Frequency: 2450 MHz; Duty Cycle: 1:1

Medium: Air Medium parameters used:  $\sigma = 0$  S/m,  $\epsilon_r = 1$ ;  $\rho = 0$  kg/m<sup>3</sup>

Ambient Temperature : 23.2 °C;

DASY5 Configuration:

- Probe: ER3DV6 - SN2434; ConvF(1, 1, 1); Calibrated: 2023.2.17
- Sensor-Surface: (Fix Surface), Sensor-Surface: 0mm (Fix Surface)
- Electronics: DAE4 Sn480; Calibrated: 2023.9.19
- Phantom: HAC Test Arch with AMCC; Type: SD HAC P01 BA;
- Measurement SW: DASY52, Version 52.10 (4); SEMCAD X Version 14.6.14 (7501)

**Hearing Aid Compatibility Test (81x321x1):** Interpolated grid: dx=0.5000 mm, dy=0.5000 mm

Maximum value of Total (interpolated) = 96.72 V/m

Device Reference Point: 0, 0, -6.3 mm

Reference Value = 81.55 V/m; Power Drift = -0.02 dB

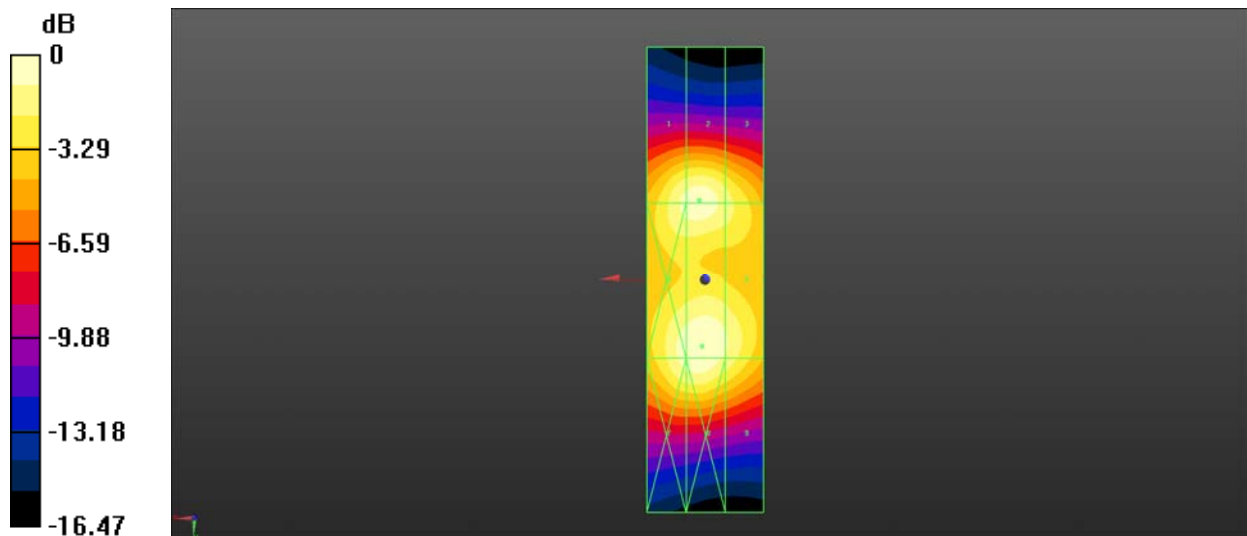
Applied MIF = 0.00 dB

RF audio interference level = 39.71 dBV/m

**Emission category: M2**

MIF scaled E-field

Grid 1 <b>M2</b> <b>38.89 dBV/m</b>	Grid 2 <b>M2</b> <b>39.38 dBV/m</b>	Grid 3 <b>M2</b> <b>38.13 dBV/m</b>
Grid 4 <b>M2</b> <b>39.24 dBV/m</b>	Grid 5 <b>M2</b> <b>39.71 dBV/m</b>	Grid 6 <b>M2</b> <b>38.71 dBV/m</b>
Grid 7 <b>M2</b> <b>39.11 dBV/m</b>	Grid 8 <b>M2</b> <b>39.57 dBV/m</b>	Grid 9 <b>M2</b> <b>38.35 dBV/m</b>



0 dB = 96.72 V/m = 39.71 dBV/m

Test Laboratory: Shenzhen Morlab Communications Technology Co., Ltd.

Date: 2023.11.24

### System Check\_2600MHz\_HAC\_RF\_E

Communication System: UID 0, CW (0); Frequency: 2600 MHz; Duty Cycle: 1:1

Medium: Air Medium parameters used:  $\sigma = 0 \text{ S/m}$ ,  $\epsilon_r = 1$ ;  $\rho = 0 \text{ kg/m}^3$

Ambient Temperature : 23.2 °C

DASY5 Configuration:

- Probe: ER3DV6 - SN2434; ConvF(1, 1, 1) @ 2600 MHz; Calibrated: 2023.2.17
- Sensor-Surface: (Fix Surface), Sensor-Surface: 0mm (Fix Surface)
- Electronics: DAE4 Sn480; Calibrated: 2023.9.19
- Phantom: HAC Test Arch with AMCC; Type: SD HAC P01 BA;
- Measurement SW: DASY52, Version 52.10 (4); SEMCAD X Version 14.6.14 (7501)

**Ch2600/Hearing Aid Compatibility Test (81x321x1):** Interpolated grid: dx=0.5000 mm, dy=0.5000 mm

Maximum value of Total (interpolated) = 97.39 V/m

Device Reference Point: 0, 0, -6.3 mm

Reference Value = 80.91 V/m; Power Drift = -0.01 dB

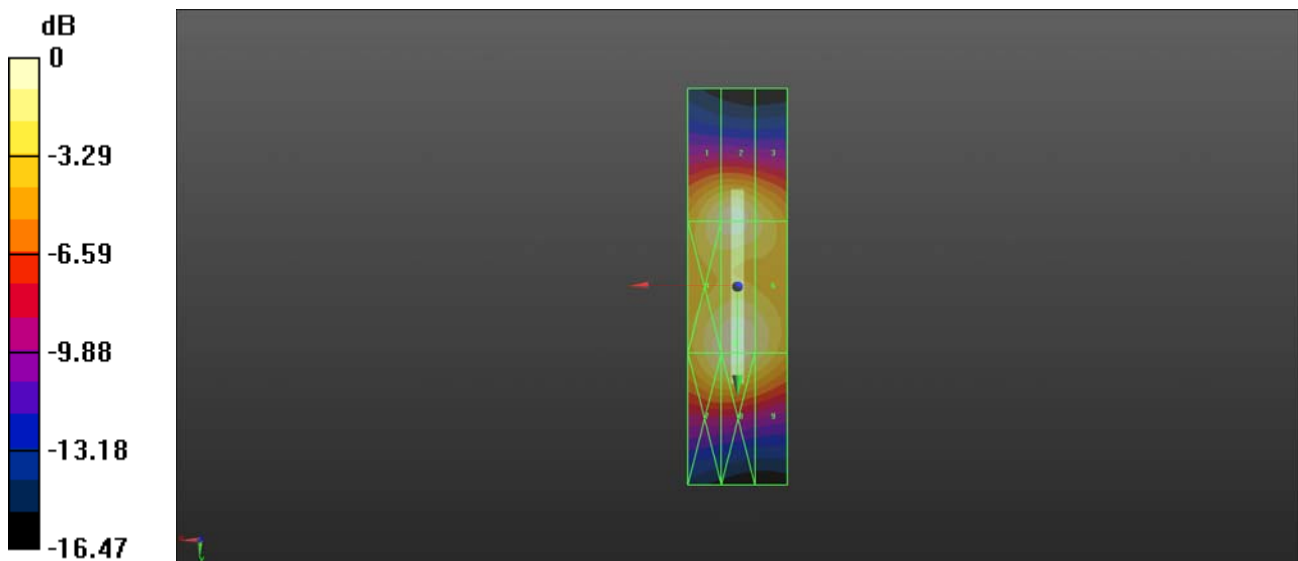
Applied MIF = 0.00 dB

RF audio interference level = 39.77 dBV/m

**Emission category: M2**

MIF scaled E-field

Grid 1 <b>M2</b> <b>38.93 dBV/m</b>	Grid 2 <b>M2</b> <b>39.28 dBV/m</b>	Grid 3 <b>M2</b> <b>38.11 dBV/m</b>
Grid 4 <b>M2</b> <b>39.16 dBV/m</b>	Grid 5 <b>M2</b> <b>39.77 dBV/m</b>	Grid 6 <b>M2</b> <b>38.75 dBV/m</b>
Grid 7 <b>M2</b> <b>39.13 dBV/m</b>	Grid 8 <b>M2</b> <b>39.45 dBV/m</b>	Grid 9 <b>M2</b> <b>38.43 dBV/m</b>



0 dB = 97.39 V/m = 39.77 dBV/m