

# ULTRAVISION™

OWNER'S MANUAL

Model PET24-7-913  
Version 2024.a



# Congratulations!

Congratulations on your new intelligent floor cleaner! UltraVision is now at your service. To see him at his best, please read the Quick Start Guide and this manual thoroughly.

Welcome to the bObsweep family and Happy Sweeping!

If you have any questions or concerns, feel free to contact our helpful support team at [support@bobsweep.com](mailto:support@bobsweep.com) or 1-888-549-8847.

Business Hours: Monday – Friday, 9 a.m. – 5 p.m. Pacific Time.

# Table of Contents

**1** General  
Safety Instructions  
Declaration of Conformity  
Warranty  
Contact Us

**9** Getting Started  
Who is UltraVision?  
Navigating Difficult Obstacles

**25** Mopping  
Wet Mop Attachment

**31** Manuel  
D'utilisation  
Franciase

**3** Box Contents

**11** First-Time Setup  
Install Side Brush  
Power UltraVision ON  
Set up Charging Station  
Charge UltraVision  
Download the bObsweep App  
Let your bot Sweep

**27** Troubleshooting  
Trouble messages  
Home Checkup Test

**67** End User  
License  
Agreement

**4** Anatomy  
The bot  
Screen & Buttons  
Charging Station  
Dustbin  
Mop Attachment

**18** Maintenance  
Charging Station  
Dustbin and Filters  
Brushes  
Sensors  
Front Wheel  
Battery

**29** FAQs

# Important Safety Instructions

Power UltraVision OFF and remove him from a power source when you are not using him and before conducting maintenance.

UltraVision is not intended for use by persons (including children) with reduced physical or mental capabilities, or lack of experience and knowledge, unless under the close supervision of a person responsible for their safety.

Leaks from the battery cells can occur under extreme usage or temperature conditions. If the liquid gets on the skin, wash quickly with water. If the liquid gets into the eyes, flush them immediately with clean water for a minimum of 10 minutes, and seek medical attention.

UltraVision is composed of electronic components that in rare and unintended cases can cause hazards of heating, fire, and other malfunctions. Furthermore, because UltraVision is capable of autonomous movement, his use poses the risk of collision with property, pets, and persons. Unintended removal of articles — such as small valuables, jewelry, or hair of persons or pets lying on the floor — may also occur.

If UltraVision or his charging station has been damaged in any way, do not operate them. Contact our support team for further assistance.

Do not handle UltraVision or his charging station with wet hands; use only on dry surfaces.

Do not pull or carry the charging station by the cord, close a door on the cord, or pull the cord around sharp edges or corners. Keep the cord away from heated surfaces. To unplug the cord, grasp the plug, not the cord.

Do not expose UltraVision's SLAM LiDAR to direct sun light or infrared light.

Do not let UltraVision drop. The impact from a drop can damage the SLAM LiDAR.

Do not look directly into the rotating transmitting part (laser) of the SLAM LiDAR.

For your safety, do not insert tools, fingers, or other items into the rotating part of the SLAM LiDAR.

Do not attempt to open the charging station. Repairs on the station should only be carried out by our qualified technicians.

With the exception of the wet mop attachment, do not immerse any part of UltraVision into water or other liquids.

Do not mutilate or incinerate the battery, as it will explode at high temperatures.

Do not use UltraVision outdoors. And , do not store UltraVision in a car.

Do not expose UltraVision or his charging station to temperatures higher than 113° F (45° C), moisture, or humidity.

Do not dispose of your battery in fire. Old batteries should be recycled safely through your local recycler.

Do not let UltraVision pick up anything that is burning or smoking, such as cigarettes, matches, or hot ashes.

Do not use a broken or damaged power inlet/wire

Do not open or handle UltraVision's charging station when plugged into the wall. Unplug first.

# Declaration of Conformity

This device complies with Part 15 of the FCC rules. Operation is subject to the following two conditions: (1) this device may not cause harmful interference, and (2) this device must accept any interference received, including interference that may cause undesired operation. The manufacturer is not responsible for any radio or TV interference caused by unauthorized modifications or changes to this equipment. Such modifications or changes could void the user's authority to operate the equipment.

This equipment has been tested and found to comply with the limits for a Class B digital device, pursuant to part 15 of the FCC Rules. These limits are designed to provide reasonable protection against harmful interference in a residential installation. This equipment generates, uses, and can radiate radio frequency energy and, if not installed and used in accordance with the instructions, may cause harmful interference to radio communications. However, there is no guarantee that interference will not occur in a particular installation. If this equipment does cause harmful interference to radio or television reception, which can be determined by turning the equipment off and on, the user is encouraged to try to correct the interference by one or more of the following measures:

- Reorient or relocate the receiving antenna.

- Increase the separation between the equipment and receiver.

- Connect the equipment to an outlet on a circuit different from that to which the receiver is connected.

- Consult the dealer or an experienced radio/TV technician for help.

This equipment complies with FCC radiation exposure limits set forth for an uncontrolled environment.

This equipment should be installed and operated with minimum distance 20cm between the radiator & your body.

# Warranty

Every UltraVision purchased from an authorized seller comes with our warranty coverage:

- 2-Year Standard Warranty

- 5-Year Subsidized Repair Plan

- Lifetime of Customer Service

To claim your warranty, register your bot at [www.bobsweep.com/warranties](http://www.bobsweep.com/warranties).

# Contact Us

If you have any questions or concerns, please contact our helpful support team at [support@bobsweep.com](mailto:support@bobsweep.com) or 1-888-549-8847.

Business Hours:

Monday – Friday, 9 a.m. – 5 p.m. Pacific Time

Additional troubleshooting information and how-to guides can be found on the bObsweep app and at [bobsweep.com/ultravision-support](http://bobsweep.com/ultravision-support).

# Box Contents

# Anatomy

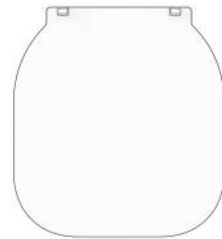
## UltraVision



UltraVision™



Self-emptying  
Charging Station



Charging Bed



Cleaning Tool



Side Brush (2)



Filter



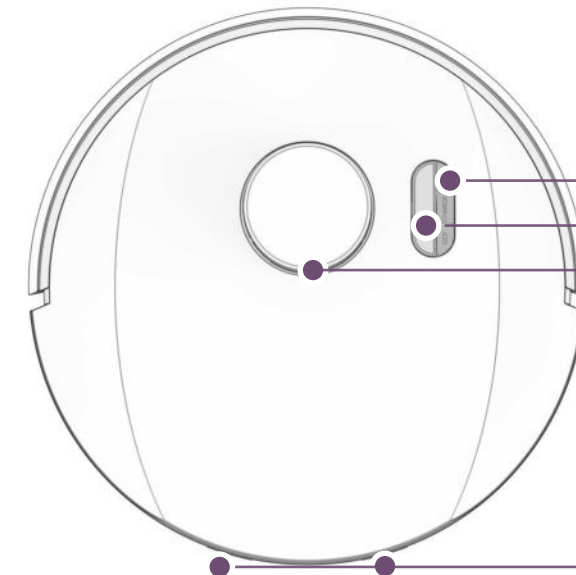
Mop Attachment



Microfiber Mop  
Cloth (2)

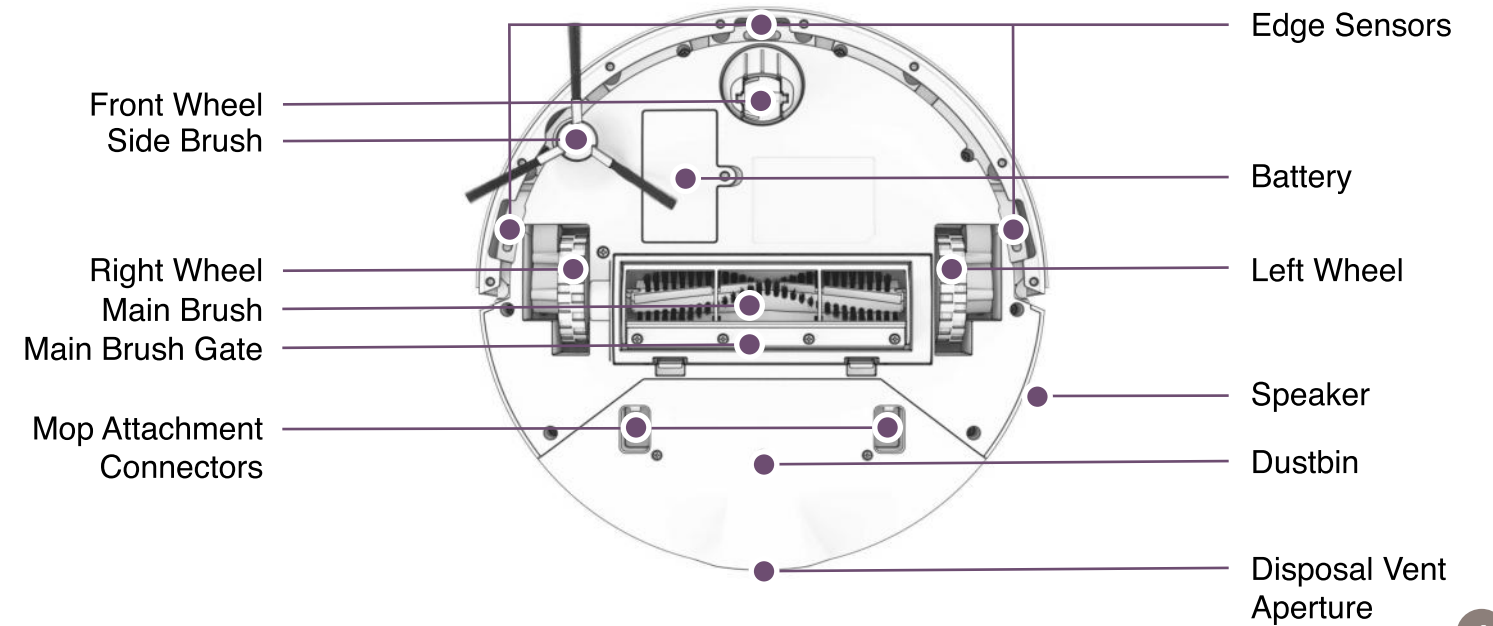


Dust Bag



- Buttons
- Display Screen
- SLAM LiDAR

Charging Plates



- Front Wheel
- Side Brush

- Right Wheel
- Main Brush
- Main Brush Gate

- Mop Attachment
- Connectors

Edge Sensors

Battery

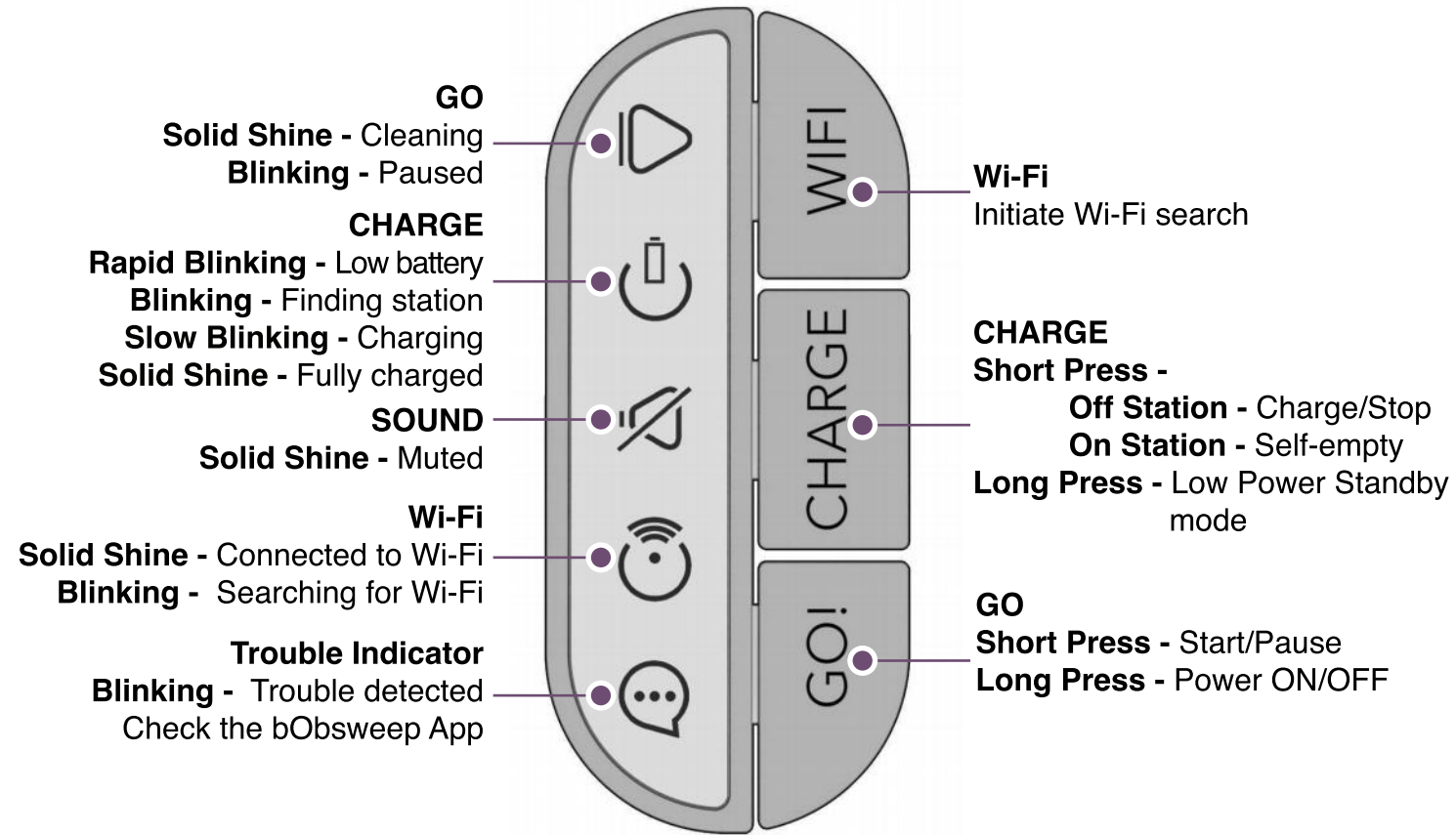
Left Wheel

Speaker

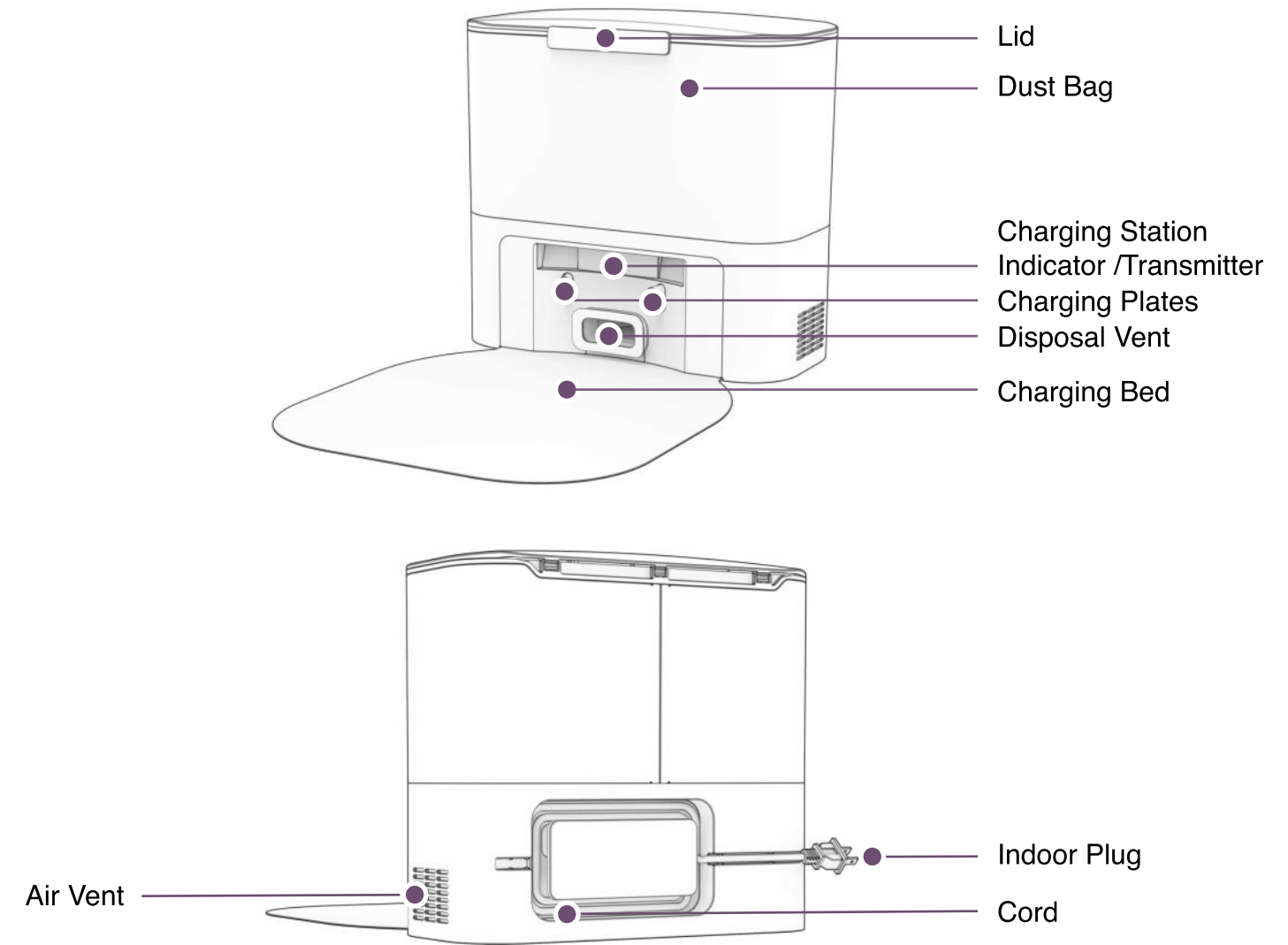
Dustbin

Disposal Vent  
Aperture

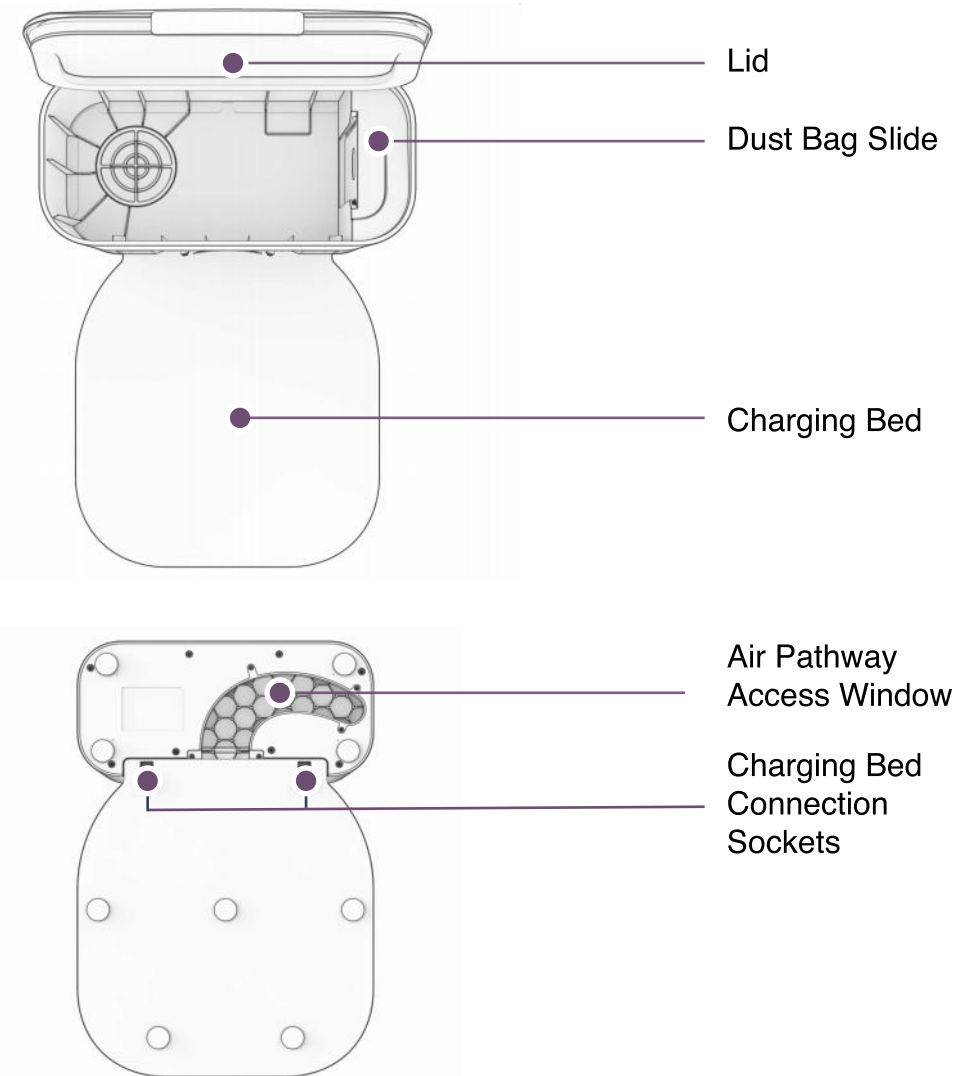
## Display Screen & Buttons



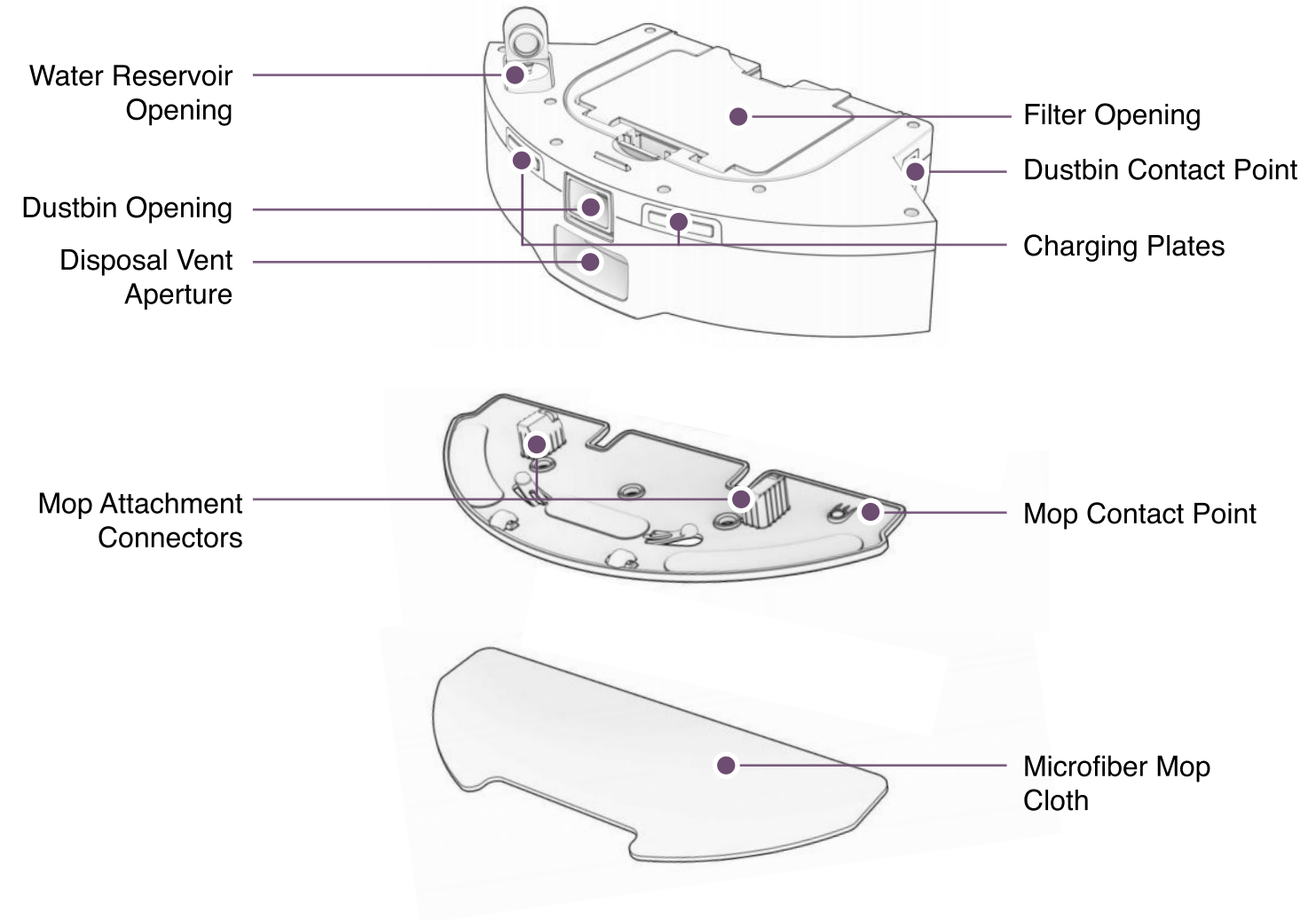
## Self-emptying Charging Station



## Self-emptying Charging Station



## Dustbin & Mop Attachment



## Who is UltraVision?

UltraVision is an autonomous robotic vacuum cleaner, at your service! Connect UltraVision to Wi-Fi and use the bObsweep app to create a customized cleaning plan. UltraVision will clean your home, your way.

## How does UltraVision find his way around?

UltraVision uses laser vision, a network of sensors, and a state-of-the-art mapping and localizing technology to detect walls, furniture, and obstacles.

As UltraVision cleans, he simultaneously creates a map of the areas he is able to access and clean. Areas where furniture and small items are found are marked on the map. View the map by clicking the Map Icon on the bObsweep App, and customize it as desired. Using the map, and the app's customization criteria, UltraVision efficiently cleans your home over the course of a full cycle.

After cleaning, UltraVision returns to his station and empties his dustbin into his Charging Station's container. Forget about vacuuming and enjoy clean floors for weeks!

Learn about UltraVision's map features:



Watch UltraVision's how-to videos:




## Navigating Difficult Obstacles

### Unique Furniture

Specialty furniture, such as desk chairs with wheels or stools with circular bases, may confuse UltraVision momentarily; he may get stuck on a ledge for a few minutes, and then decide to clean somewhere else. As long as UltraVision is not displaying a trouble message, let him continue cleaning and finding his own way around. Take note of the areas that UltraVision finds most challenging, and, if possible, adjust furniture, or add NoSweep™ zones.

### Dark-Colored Carpet

If UltraVision repeatedly backs up or displays a trouble message while cleaning dark carpets, deactivate the edge sensors. To deactivate them, open the bObsweep app and disable "edge detection" under Cleaning Preferences in Settings . Just remember that while UltraVision's edge sensors are deactivated, **he will not be able to detect edges or stairs** and will fall off the edge if he gets close to one! Add NoSweep lines where the edge or stairs are to keep UltraVision safe.

### Shag Carpet

UltraVision's main brush is not designed to clean shag carpets or rugs with long fibers and fringes. If you'd like UltraVision to clean shag carpet or long-fibered rugs, you may remove his main brush and allow him to vacuum without it.

### Mopping

Add NoMop zones to areas with rugs or carpets to keep UltraVision out of those areas while mopping.



## Install UltraVision's Side Brush

Install UltraVision's side brush to help him reach the corners and edges of rooms.

### Parts You'll Need:



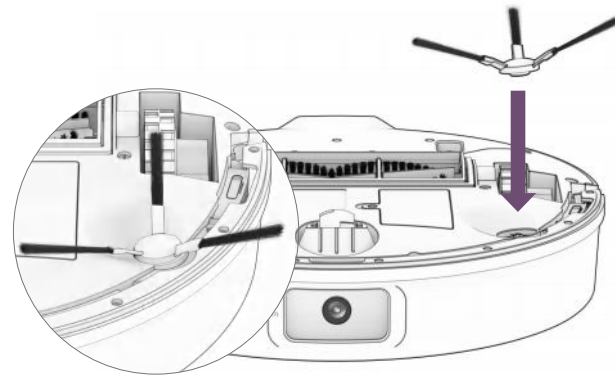
Side Brush

### Before Starting

Remove protective pieces from UltraVision, his bumper, and charging station.



Place the side brush over the empty socket on UltraVision.  
Press down to 'click' and lock in place.

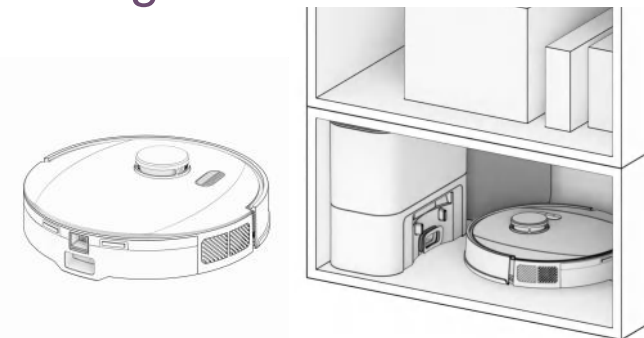


**Important Note:** The strength of side brush's connection can be increased by slightly rotating the screw in the center of the side brush socket counter-clockwise.

## Power UltraVision ON

Press and hold the GO button until the screen lights up.

### Storing



If you are not using UltraVision for an extended period of time (over a month), power him OFF, remove his battery, and unplug his charging station. Store everything in a dry room, away from direct sunlight or extreme temperature.

If you are not going to use UltraVision for a while, you can place him on Low Power Standby mode (LPS mode). To do so, place UltraVision on his charging station. Press and hold the CHARGE button on UltraVision for 5 seconds. You'll hear "low power mode", confirming UltraVision is in LPS mode. To exit this mode, press GO on UltraVision while he's on the charging station, or remove him from the station.



**Important Note:** In this mode, UltraVision is offline and the bObsweep App is not able to connect to UltraVision. Furthermore, any scheduled cleaning will be paused.

## Set up UltraVision's Self-emptying Charging Station

Bright sunlight, shiny surfaces, and reflective objects can interfere with UltraVision's docking signals. Set up UltraVision's station away from uncovered windows, mirrors, and shiny furniture or objects.

### Parts You'll Need:



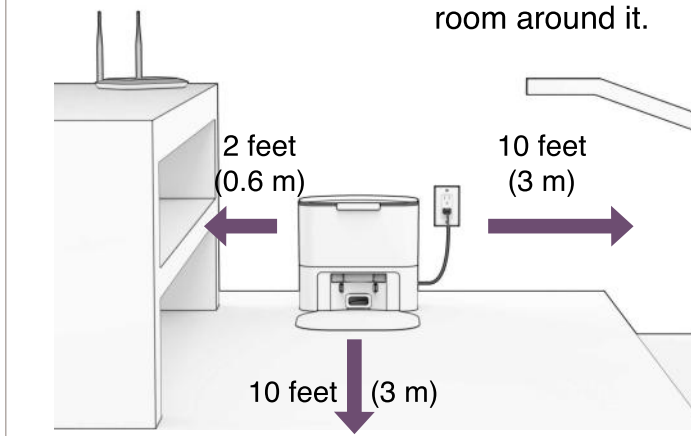
Self-emptying Charging Station



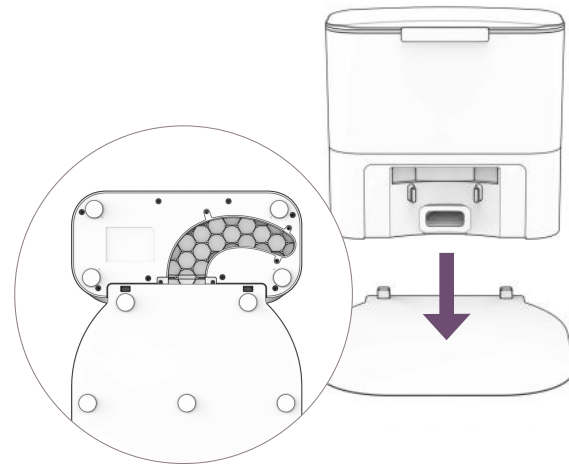
Charging bed

### Positioning

UltraVision returns to his charging station after cleaning. To help UltraVision, place the charging station on a hard, flat surface, away from edges and stairs, with plenty of room around it.



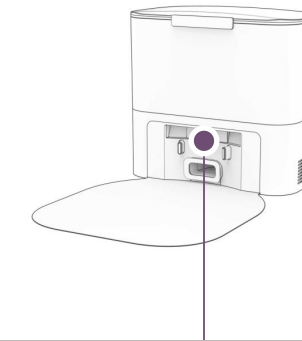
Place the charging station over the sockets on the charging bed. Place down to hold into place.



**Quick Tips:** The sockets on the charging bed fit into the charging station on its front.

## Self-emptying Charging Station Indicator

When UltraVision finishes docking on his charging station, and there is no station error, the indicator light on the station turns off.



Light Status	Station Status	What to do
● Off	Powered OFF	Plug into the outlet.
● Solid Blue	Ready	Send UltraVision to charge / self-empty.
● Solid Red	Dust Bag not detected / Dust Bag's opening is closed.	Insert Dust Bag into the slide and push the tab all the way down to open and line up with the air pathway.
● Blinking Red	Congestion in air pathway.	<ul style="list-style-type: none"> <li>Remove and open the dustbin to clean and remove heavy congestion.</li> <li>Clean the Disposal Vent Aperture on the back of the dustbin. Check the flap for free movement.</li> <li>Place UltraVision on the station and press 'Charge' to initiate a self-empty.</li> </ul> If the airpathway does not clear: <ul style="list-style-type: none"> <li>Unplug the station, turn the station around to open the Air Pathway Access Window and remove any congestion from the air pathway.</li> <li>Place UltraVision on the station again and press 'Charge' to initiate a self-empty.</li> </ul>

## Charge UltraVision

Press the CHARGE button on UltraVision to send him to his charging station.

### Parts You'll Need:



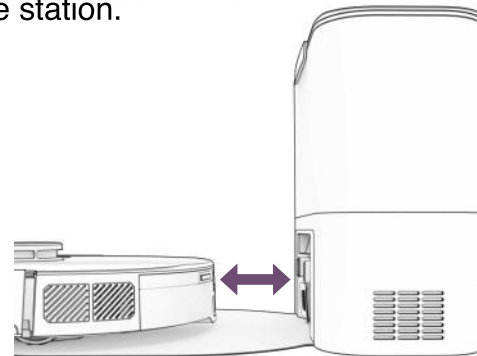
Self-emptying Charging Station

### Charging Indicator



- Low Battery:** blinks rapidly.
- Finding Station:** blinks.
- Charging:** blinks slowly.
- Fully Charged:** shines white.

To charge UltraVision manually, place him on his charging bed with the metal nodes on his back resting against the plates on the station.



**Quick Tip:** UltraVision empties his bin each time he docks at the end of a cleaning session. Define how often UltraVision self-empties under "Cleaning Preferences" on the bObsweep App.

## Download the bObsweep App

Connect UltraVision to Wi-Fi to gain access to UltraVision's full suite of features and important software updates. Follow the instructions on the app to connect to Amazon Alexa or Google Home devices.

### Items You'll Need:

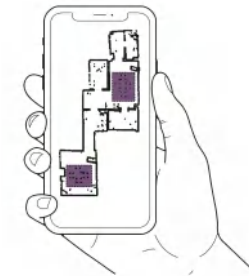


Smart Phone



2.4GHz Wi-Fi Connection

### Swift Mapping



UltraVision maps the area at first glance. Choosing Swift Map makes UltraVision start a map-only run. UltraVision returns to his charging station after he explore and maps the entire floor. Leave all the doors open and remove clutter before initiating a Swift Map.

Open the bObsweep App, create your account, and follow instructions to connect your bot to Wi-Fi. Scan below for step by step instructions:

