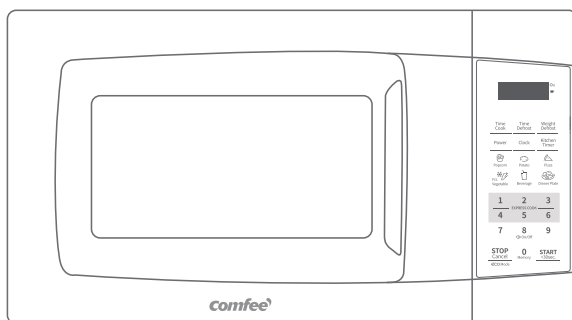


Microwave Oven Instruction

EM720CPL-PM
EM720CPL-PMB



comfee

Welcome to the world of **COMFEE**

BEFORE OPERATING THIS PRODUCT,
READ, UNDERSTAND, AND FOLLOW THESE INSTRUCTIONS.
BE SURE TO SAVE THIS BOOKLIST FOR FUTURE REFERENCE

CONTENTS

PRECAUTIONS TO AVOID POSSIBLE EXPOSURE TO EXCESSIVE
MICROWAVE ENERGY

IMPORTANT SAFETY INSTRUCTIONS

GROUNDING INSTRUCTIONS

UTENSILS

SETTING UP YOUR OVEN

OPERATION

MAINTENANCE

PRECAUTIONS TO AVOID POSSIBLE EXPOSURE TO EXCESSIVE MICROWAVE ENERGY



1. Do not attempt to operate this oven with the door open since this can result in harmful exposure to microwave energy. It is important not to defeat or tamper with the safety interlocks.
2. Do not place any object between the oven front face and the door or allow soil or cleaner residue to accumulate on sealing surfaces.
3. Do not operate the oven if it is damaged. It is particularly important that the oven door closes properly and that there is no damage to the:
 - a. DOOR (bent)
 - b. HINGES AND LATCHES (broken or loosened)
 - c. DOOR SEALS AND SEALING SURFACE
4. The oven should not be adjusted or repaired by anyone except properly qualified service personnel.

Specifications

Model:	EM720CPL-PM/ EM720CPL-PMB
Rated Voltage:	120V~ 60Hz
Rated Input Power(Microwave):	1050W
Rated Output Power(Microwave):	700W
Oven Capacity:	0.7 cu.ft.
Turntable Diameter:	Ø10 inch
External Dimensions:	17.3X13.0X10.2 inch
Net Weight:	Approx. 20.2 Lbs

IMPORTANT SAFETY INSTRUCTIONS WARNING



To reduce the risk of burns, electric shock, fire, injury to persons or exposure to excessive microwave oven energy when using your appliance, follow basic safety precautions, including the following:

1. Read all instructions before using the appliance.
2. Read and follow the specific: " PRECAUTIONS TO AVOID POSSIBLE EXPOSURE TO EXCESSIVE MICROWAVE ENERGY" found on page 2.
3. As with most cooking appliances, close supervision is necessary to reduce the risk of a fire in the oven cavity.
4. To reduce the risk of fire in the oven cavity:
 - a. Do not overcook food. Carefully attend the appliance when paper, plastic, or other combustible materials are placed inside the oven to facilitate cooking.
 - b. Remove wire twist-ties and metal handles from paper or plastic containers/ bags before placing them in the oven.
 - c. If materials inside the oven ignite, keep the oven door closed. Turn the oven off, and unplug the appliance. Disconnect the power cord, shut off power at the fuse or circuit breaker panel.
 - d. Do not use the cavity for storage purposes. Do not leave paper products, cooking utensils, or food in the cavity when not in use.
5. This oven must be grounded. Connect only to properly grounded outlet. See "GROUNDING INSTRUCTIONS" found on page 6.
6. Install or locate this oven only in accordance with the installation instructions provided.
7. Some products such as whole eggs and sealed containers-for example, closed glass jars-are able to explode and should not be heated in the oven.

IMPORTANT SAFETY INSTRUCTIONS WARNING



8. Use this appliance only for its intended uses as described in this manual. Do not use corrosive chemicals or vapors in this appliance. This oven is specifically designed to heat or cook or dry food. It is not designed for industrial or laboratory use.
9. As with any appliance, close supervision is necessary when used by children.
10. Do not operate this oven if it has a damaged cord or plug, if it is not working properly or if it has been damaged or dropped.
11. This microwave should be serviced only by qualified service personnel. Contact nearest authorized service facility for examination, repair or adjustment.
12. Do not cover or block any openings on the oven.
13. Do not store or use this appliance outdoors.
14. Do not use this oven near water, for example, near a kitchen sink, in a wetbasement, near a swimming pool, or similar locations.
15. Do not immerse cord or plug in water.
16. Keep cord away from heated surfaces.
17. Do not let cord hang over edge of table or counter.
18. When cleaning surfaces of door and oven that comes together on closing the door, use only mild, nonabrasive soaps or detergents applied with a sponge of soft cloth.
19. This appliance is for private household use only.

IMPORTANT SAFETY INSTRUCTIONS WARNING



20. Liquids, such as water, coffee, or tea are able to be overheated beyond the boiling point without appearing to be boiling. Visible bubbling or boiling when the container is removed from the microwave oven is not always present. THIS COULD RESULT IN VERY HOT LIQUIDS SUDDENLY BOILING OVER WHEN THE CONTAINER IS DISTURBED OR A SPOON OR OTHER UTENSIL IS INSERTED INTO THE LIQUID.
- a. Do not overheat the liquid.
 - b. Stir the liquid both before and halfway through heating it.
 - c. Do not use straight-sided containers with narrow necks.
 - d. After heating, allow the container to stand in the microwave oven for a short time before removing the container.
 - e. Use extreme care when inserting a spoon or other utensil into the container.

SAVE THESE INSTRUCTIONS

GROUNDING INSTRUCTIONS



DANGER

Electric Shock Hazard

Touching some of the internal components can cause serious personal injury or death. Do not disassemble this appliance.

This appliance must be grounded. In the event of an electrical short circuit, grounding reduces the risk of electric shock by providing an escape wire for the electric current. To protect against electrical shock, this appliance is equipped with a cord having a 3 prong grounding-type plug for insertion into a proper grounding-type receptacle. DO NOT alter the plug for use in a 2-prong receptacle. If the plug will not fit into a receptacle, have the proper receptacle installed by a qualified electrician.

CAUTION:

Do not insert your fingers into any gaps or holes; it may cause injuries.

WARNING

Improper use of the grounding can result in a risk of electric shock

GROUNDING INSTRUCTIONS



Consult a qualified electrician or serviceman if the grounding instructions are not completely understood or if doubt exists as to whether the appliance is properly grounded. If it is necessary to use an extension cord, use only a 3-wire extension cord that has a 3-pronged grounding plug, and a 3-slot receptacle that will accept the plug on the appliance. The marked rating of the extension cord shall be equal to or greater than the electrical rating of the appliance.

1. A short power-supply cord is provided to reduce the risks resulting from becoming entangled in or tripping over a longer cord.
2. Longer cord sets or extension cords are available and may be used if care is exercised in their use.
3. If a long cord set or extension cord is used:
 - a. The marked electrical rating of the cord set or extension marked electrical rating of the cord set or extension cord should be at least as great as the electrical rating of the appliance.
 - b. The extension cord must be a grounding -type 3-wire cord.
 - c. The longer cord should be arranged so that it will not drape over the countertop or tabletop where it can be pulled on by children or tripped over unintentionally.

GROUNDING INSTRUCTIONS



RADIO INTERFERENCE

Operation of the microwave oven may cause interference to your radio, TV or similar equipment.

When there is interference, it may be reduced or eliminated by taking the following measures:

- a. Clean door and sealing surface of the oven.
- b. Reorient the receiving antenna of radio or television.
- c. Relocate the microwave oven with respect to the receiver.
- d. Move the microwave oven away from the receiver.
- e. Plug the microwave oven into a different outlet so that microwave oven and receiver are on different branch circuits.

GROUNDING INSTRUCTIONS



UTENSILS

CAUTION

Electric Shock Hazard

Tightly-closed utensils could explode. Closed containers should be opened and plastic pouches should be pierced before cooking.

See the instructions on "Materials you can use in microwave oven or to be avoided in microwave oven." There may be certain non-metallic utensils that are not safe to use for microwaving. If in doubt, you can test the utensil in question following the procedure below.

SAVE THESE INSTRUCTIONS HOUSEHOLD INDOOR USE ONLY

UTENSIL TEST:

1. Fill a microwave-safe container with 1 cup of cold water (250ml) along with the utensil in question.
2. Cook on maximum power for 1 minute.
3. Carefully feel the utensil. If the empty utensil is warm, do not use it for microwave cooking.
4. Do not exceed 1 minute cooking time.

MATERIALS YOU CAN USE IN MICROWAVE OVEN

UTENSILS	REMARKS
Browning dish	Follow manufacturer's instructions. The bottom of browning dish must be at least 3/16 inch (5mm) above the turntable. Incorrect usage may cause the turntable to break.
Dinnerware	Microwave-safe only. Follow manufacturer's instructions. Do not use cracked or chipped dishes.
Glass jars	Always remove lid. Use only to heat food until just warm. Most glass jars are not heat resistant and may break.
Glassware	Heat-resistant oven glassware only. Make sure there is no metallic trim. Do not use cracked or chipped dishes.
Oven cooking bags	Follow manufacturer's instructions. Do not close with metal tie. Make slits to allow steam to escape.
Paper plates and cups	Use for short-term cooking/warming only. Do not leave oven unattended while cooking.
Paper towels	Use to cover food for reheating and absorbing fat. Use with supervision for a short-term cooking only.
Parchment paper	Use as a cover to prevent splattering or a wrap for steaming.
Plastic	Microwave-safe only. Follow the manufacturer's instructions. Should be labeled "Microwave Safe". Some plastic containers soften, as the food inside gets hot. "Boiling bags" and tightly closed plastic bags should be slit, pierced or vented as directed by package.
Plastic wrap	Microwave-safe only. Use to cover food during cooking to retain moisture. Do not allow plastic wrap to touch food.
Thermometers	Microwave-safe only (meat and candy thermometers).
Wax paper	Use as a cover to prevent splattering and retain moisture.

MATERIALS TO BE AVOIDED IN MICROWAVE OVEN

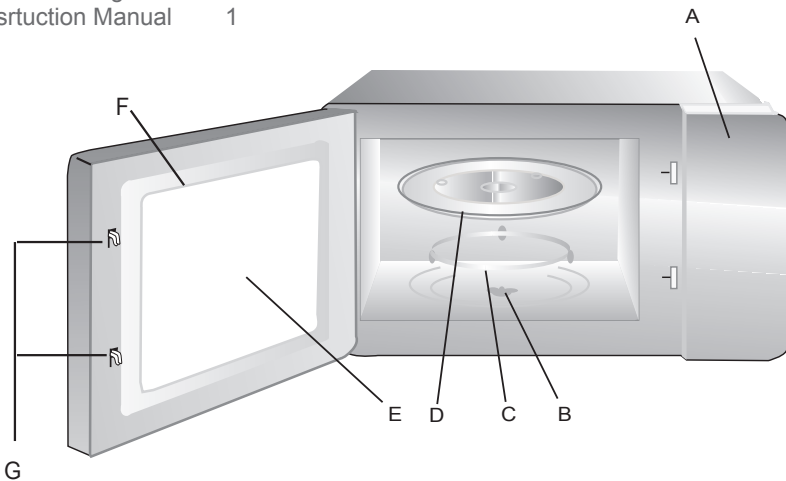
UTENSILS	REMARKS
Aluminum tray	May cause arcing. Transfer food into microwave-safe dish.
Food carton with metal handle	May cause arcing. Transfer food into microwave-safe dish.
Metal twist ties	May cause arcing and could cause a fire in the oven.
Paper bags	May cause a fire in the oven.
Plastic foam	Plastic foam may melt or contaminate the liquid inside when exposed to high temperature.
Wood	Wood will dry out when used in the microwave oven and may split or crack.

SETTING UP YOUR OVEN

NAMES OF OVEN PARTS AND ACCESSORIES

Remove the oven and all materials from the carton and oven cavity. Your oven comes with the following accessories:

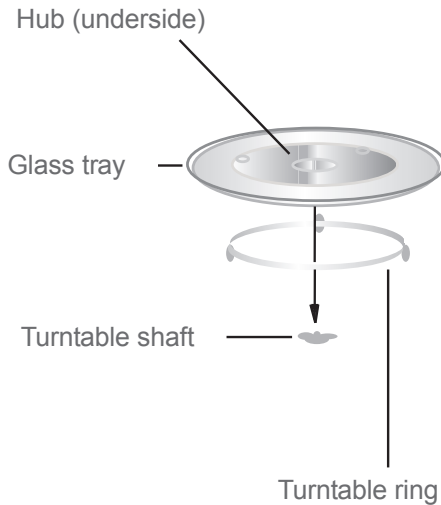
Glass tray	1
Turntable ring	1
Insrtuction Manual	1



- A. Control panel
- B. Turntable shaft
- C. Turntable ring
- D. Glass tray
- E. Observation window
- F. Oven Door
- G. Safety interlock system

SETTING UP YOUR OVEN

TURNTABLE INSTALLATION



- Never place the glass tray upside down. The glass tray should never be restricted.
- Both glass tray and turntable ring must always be used during cooking.
- All food and containers of food are always placed on the glass tray for cooking.

SETTING UP YOUR OVEN

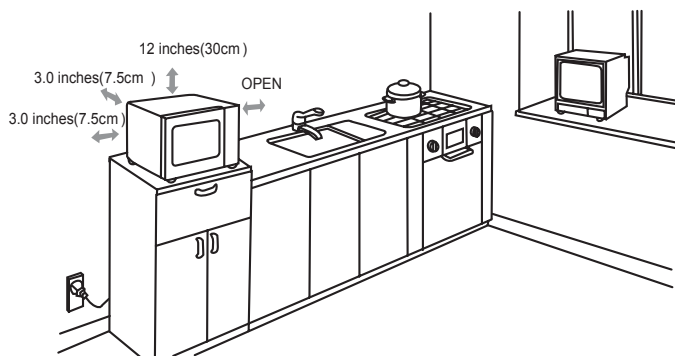
COUNTERTOP INSTALLATION

Remove all packing material and accessories. Examine the oven for any damage such as dents or broken door. Do not install if oven is damaged.

Cabinet: Remove any protective film found on the microwave oven cabinet surface. Do not remove the light brown Mica cover that is attached to the oven cavity to protect the magnetron.

INSTALLATION

1. Select a level surface that provide enough open space for the intake and/or outlet vents.



A minimum clearance of 3.0 inches (7.5cm) is required between the oven and any adjacent walls. One side must be open.

- (1) Leave a minimum clearance of 12 inches (30cm) above the oven.
- (2) Do not remove the legs from the bottom of the oven.
- (3) Blocking the intake and/or outlet openings can damage the oven.
- (4) Place the oven as far away from radios and TV as possible.

Operation of microwave oven may cause interference to your radio or TV reception.

SETTING UP YOUR OVEN

INSTALLATION

2. Plug your oven into a standard household outlet. Be sure the voltage and the frequency is the same as the voltage

WARNING

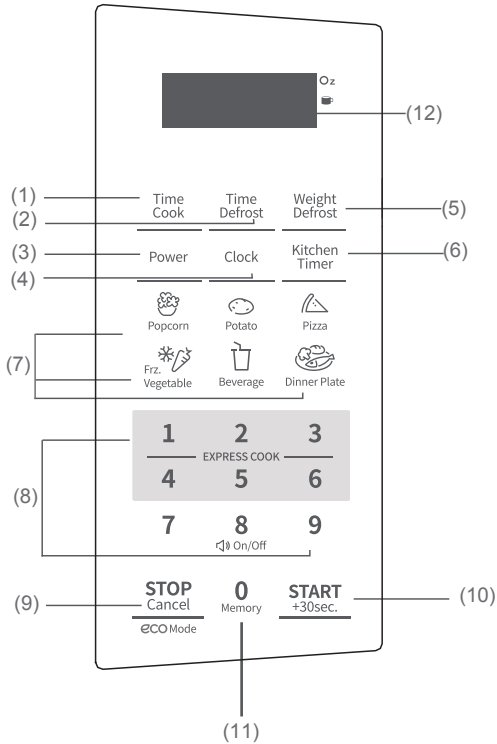
Do not install oven over a range cooktop or other heat-producing appliance. If installed near or over a heat source, the oven could be damaged and the warranty would be void.



The accessible surface may
be hot during operation

OPERATION

CONTROL PANEL AND FEATURES



- (1) Time Cook
- (2) Time Defrost
- (3) Power Level
- (4) Clock and Settings
- (5) Weight Defrost
- (6) Kitchen Timer
- (7) Auto Menu (Popcorn, Potato, Pizza, Frozen Vegetable, Beverage and Dinner Plate)
- (8) Number Pads
- (9) Stop/Cancel
- (10) START/ +30 SEC
- (11) Memory
- (12) Display

OPERATION

1. POWER LEVELS

11 power levels are available.

Press Time Cook , "00:00" will display, then press number pads to enter the cooking time.

Press Power Level and "PL10" will display. Then press number pads to select a different power level.

In cooking state of microwave, press "Power", the current power will be displayed for 3 seconds. Then press number pads to change a different power level.

Example : To cook the food with 50% microwave power for 15 minutes.

- Press Time Cook , "00:00" will display.
- Press "1, 5, 0, 0" in order for 15:00 to appear in the display.
- Press Power Level , then press "5" to select 50% microwave power.
- Press to start cooking. Buzzer sounds once. The remaining cooking time will display.

Level	10	9	8	7	6	5	4	3	2	1	0
Power	100%	90%	80%	70%	60%	50%	40%	30%	20%	10%	0%
Display	PL10	PL9	PL8	PL7	PL6	PL5	PL4	PL3	PL2	PL1	PL0

2. CLOCK SETTING

When the microwave oven is plugged into an outlet, "00:00" will display.

- Press Clock & Settings once, "00:00" will appear in the display.
- Press the number pads to enter the current clock time. For example, if the time is now 10:12, press " 1, 0, 1, 2 " in order.
- Press Clock & Settings to finish clock setting, " : " will flash and the numbers will appear as a clock time in the display.

NOTE:

- If the numbers entered are not within the range between 1:00 to 12:59, the setting will not be accepted until valid numbers are entered.
- In the process of setting clock, if the "STOP/Cancel" pad is pressed or if there is no operation within 1 minute, the display will automatically return to the previous clock setting.

OPERATION

3. KITCHEN TIMER

- (1) Press "Kitchen Timer" once, "00:00" will appear in the display.
- (2) Press the number pads to enter the time amount. The maximum amount of time that can be entered is 99 minutes, 99 seconds.
- (3) Press "START/+30SEC." to confirm setting, and the timer will start to count down.
- (4) When the time amount elapses, the oven will beep 5 times.

Note:

- The Kitchen Timer setting is different from the Clock setting; it is simply a timer.
- During the Kitchen Timer function, no cooking function can be set into operation.
- Kitchen Timer amount cannot be increased by pressing "START/+30SEC."
- Pressing "STOP/Cancel" will cancel the Timer countdown.

4. MICROWAVE COOK

- (1) Press "Time Cook" , "00:00" will appear in the display.
- (2) Press number pads to enter the cooking time. The maximum cooking time is 99 minutes, 99 seconds.
- (3) Press "Power" once, PL10 will flash. Press number pads 0 through 9 to select a different power level if desired. See the POWER LEVEL table above.
- (4) Press "START/+30SEC." to start cooking. The remaining cooking time will display.

Example : To cook the food with 50% microwave power for 15 minutes.

- a. Press "Time Cook" , "00:00" will display.
- b. Press "1, 5, 0, 0" in order for 15:00 to appear in the display.
- c. Press "Power" once , then press "5" to select 50% microwave power.
- d. Press "START/+30SEC." to start cooking. Buzzer sounds once. The remaining cooking time will display.

OPERATION

NOTE:

In the process of setting, if the "STOP/Cancel" pad is pressed or if there is no operation within 1 minute, the oven will automatically return to display the clock.

5.ONE TOUCH START

(1) Instant cooking at 100% power level and 1 to 6 minutes cooking time can be started by pressing number pads 1 to 6. Press "START/+30SEC." to increase the cooking time by 30 seconds with each press.

The maximum cooking time is 99 minutes, 99 seconds.

(2) Instant cooking at 100% power level and 30 seconds cooking time can be started by pressing "START/+30SEC." . Each repeated press will increase cooking time by 30 seconds. The maximum cooking time is 99 minutes, 99 seconds.

NOTE:

- Time can also be added in 30 second increments by pressing "START/+30SEC." during Microwave Cooking, Time Defrost and Multi-stage Cooking.
- Time cannot be added by pressing "START/+30SEC." during Weight Defrost and Kitchen Timer functions.

6.TIME DEFROST

(1) Press "Time Defrost" , "dEF2" will appear in the display.

(2) Press the number pads to input the defrost time.

(3) The default microwave power is power level 3. If you want to change the power level, level, press "Power" once, and PL3 will display; then press the number pad for the desired power level.

(4) Press "START/+30SEC." to start defrost cooking. And the remaining defrost time will display.

OPERATION

7. WEIGHT DEFROST FUNCTION

- (1) Press "Weight Defrost" once,"dEF1" will display.
- (2) Press number pads to input weight to be defrosted.
Input the weight range between 4 to100 Oz.
- (3) If the weight input is not between 4 to100 Oz, the input will be invalid. A beep will sound and the unit will notwork until valid numbers are entered.
- (4) Press "START/+30SEC." to start defrosting and the cooking time remaining will be displayed.

8. POPCORN

- (1) Press "Popcorn" , "1.75" will appear in the display.
- (2) Press "Popcorn" two more times to choose the weight, "3.0" and "3.5" will display in order.
- (3) Press "START/+30SEC."to cook. The remaining time will display.
Oven beeps 5 times when cooking finish.

9. POTATO

- (1) Press "Potato" repeatedly until the number you wish appears in the display
"1", "2", "3" will display in order.
Press Once : 1 potato (approx. 8.0 oz)
Press Twice: 2 potatoes (approx. 16.0 oz)
Press 3 Times: 3 potatoes (approx. 24.0 oz)
- (2) Press "START/+30SEC."to cook. The remaining time will display.
Oven beeps 5 times when cooking finish.

10. FROZEN VEGETABLE

- (1) Press "Frozen Vegetable" , "4.0" will appear in the display.
- (2) Press "Frozen Vegetable" two more times to choose the weight, "8.0" and "16.0" will display in order.
- (3) Press "START/+30SEC."to cook. The remaining time will display.
Oven beeps 5 times when cooking finish.

OPERATION

11. BEVERAGE

- (1) Press "Beverage" , "1" will appear in the display.
- (2) Press "Beverage" two more times to choose the weight, "2" and "3" will display in order. One cup is about 4.0 Oz.
- (3) Press "START/+30SEC." to cook. The remaining time will display.
Oven beeps 5 times when cooking finish.

12. DINNER PLATE

- (1) Press "Dinner Plate" , "9.0" will appear in the display.
- (2) Press "Dinner Plate" two more times to choose the weight, "12.0" and "18.0" will display in order.
- (3) Press "START/+30SEC." to cook. The remaining time will display.
Oven beeps 5 times when cooking finish.

13. PIZZA

- (1) Press "Pizza" , "4.0" will appear in the display.
- (2) Press "Pizza" two more times to choose the weight, "8.0" and "14.0" will display in order.
- (3) Press "START/+30SEC." to cook. The remaining time will display.
Oven beeps 5 times when cooking finish.

OPERATION

14. MEMORY FUNCTION

- (1) Press "0/Memory" to program and choose up to three cooking procedures. Each procedure will be indicated by 1, 2 or 3 in the display.
- (2) Press "0/Memory" until your desired procedure number appears in the display. Press "START/+30SEC." to begin it. A maximum of two cooking stages can be set for each procedure.
- (3) To program a procedure, follow the steps listed below. Example: Cook food at 80% Power Level for 3 minutes and 20 seconds; save as memory 2.
 - a. Press "0/Memory" twice; screen displays 2.
 - b. Press "Time Cook", then press "3", "2" and "0" in order.
 - c. Press "Power" once, then press "8" for "PL 8" to display.
 - d. Press "START/+30SEC." to save the procedure. Oven beeps once.
Or press "START/+30SEC." twice directly to save and start cooking.
 - e. To choose the procedure from the memory list, press Memory twice. Screen will display "2". Press "START/+30SEC." to run procedure.

NOTE:

Auto Menu cannot be set in Memory function.

15. TURN ON/OFF THE BUZZER SOUND

It is default that the buzzer sounds is open. In waiting state, long pressing on number 8 for 3 seconds, it sounds a long beep, turns off the sound.

When the sounds turn off, long pressing on 8 for 3 seconds, it sounds a long beep and the sound turn off. All the buttons has no beep when they are pressed, including the ending cooking sounds is turn off too.

Note: All models has mute function and energy-saved function.

This function can work under lock function too.

OPERATION

16.MUTI-STAGE COOKING

At most 2 stages can be set for cooking. If one stage is Defrost, it will automatically set to be the first stage.

NOTE: Auto Menu cannot be set in Multi-stage Cooking.

EXAMPLE: 80% Power Level for 5 minutes followed by 60% Power Level for 10 minutes.

- a. Press "Time Cook", then press "5" , "0" and "0" to set first stage cook time.
- b. Press "Power" once, then press "8" to choose 80% first stage cooking power.
- c. Press "Time Cook" again, then press "1", "0", "0" and "0" to set second stage cook time.
- d. Press "Power" again, then press "6" to choose 60% second stage cooking power.
- e. Press"START/+30SEC." to immediately start multi-stage cooking.

NOTE:



Press "START/+30SEC." after programming both stages.

17.ENERGY SAVER MODE

- (1) In standby mode, press the"STOP/Cancel" once (less than 3 seconds to avoid starting the child lock function) to enter the Energy Saver mode.
- (2) In child-locked mode, press the"STOP/Cancel" once (less than 3 seconds) and release to enter the Energy Saver Mode.
- (3) Above operation is the only way to start the Energy Saver mode.
- (4) The Energy Saver mode works only if the door is closed.

OPERATION

18.LOCK FUNCTION

- (1) To lock the microwave so that it cannot be operated by children or other unintended users, press "STOP/Cancel" pad for 3 seconds. You will hear a long beep. "  " will display.
- (2) To unlock, press "STOP/Cancel" for 3 seconds, you will hear a long beep and "  " will disappear.

19.INQUIRING FUNCTION

- (1) When oven is cooking, press "Clock" for the time of day to appear for three seconds in the display.
- (2) When oven is cooking, press "Power" for cooking power to appear for three seconds in the display.

20.COOKING END REMINDER FUNCTION

The oven will beep five times to alert the user that cooking time has ended.

21.OTHER SPECIFICATIONS

- (1) "START/+30SEC." must be pressed to continue cooking if the door is opened during cooking.
- (2) A single beep sounds to indicate that a pad is correctly pressed; if pad is not correctly pressed, no beep sounds.

MAINTENANCE

TROUBLESHOOTING

Check your problem by using the chart below and try the solutions for each problem.

TROUBLE	Possible Cause	Possible Remedy
Oven will not start	<ul style="list-style-type: none"> a. Electrical cord for oven is not plugged in. b. Door is open. c. Wrong operation is set. 	<ul style="list-style-type: none"> a. Plug into the outlet. b. Close the door and try again. c. Check instructions
Arcing or sparking	<ul style="list-style-type: none"> a. Materials to be avoided in microwave oven were used. b. The oven is operated when empty. c. Spilled food remains in the cavity. 	<ul style="list-style-type: none"> a. Use microwave-safe cookware only. b. Do not operate with oven empty. c. Clean cavity with wet towel.
Unevenly cooked foods	<ul style="list-style-type: none"> a. Materials to be avoided in microwave oven were used. b. Food is not defrosted completely. c. Cooking time, power level is not suitable. d. Food is not turned or stirred. 	<ul style="list-style-type: none"> a. Use microwave-safe cookware only. b. Completely defrost food. c. Use correct cooking time, power level. d. Turn or stir food.
Overcooked foods	<p>Cooking time, power level is not suitable.</p>	<p>Use correct cooking time, power level.</p>
Undercooked foods	<ul style="list-style-type: none"> a. Materials to be avoided in microwave oven were used. b. Food is not defrosted completely. c. Oven ventilation ports are restricted. d. Cooking time, power level is not suitable. 	<ul style="list-style-type: none"> a. Use microwave-safe cookware only. b. Completely defrost food. c. Check to see that oven ventilation ports are not restricted. d. Use correct cooking time, power level
Improper defrosting	<ul style="list-style-type: none"> a. Materials to be avoided in microwave oven were used. b. Cooking time, power level is not suitable. c. Food is not turned or stirred. 	<ul style="list-style-type: none"> a. Use microwave-safe cookware only. b. Use correct cooking time, power level. c. Turn or stir food
Sensor cooked foods not properly cooked	<ul style="list-style-type: none"> a. Cover or lid on food not vented. b. Door opened before sensor-detected cooking time appears in display. 	<ul style="list-style-type: none"> a. Cover or lid over food must contain vent hole for escaping steam. b. Do not open door to stir or turn food before sensor-detected cooking time appears in display.

ONE YEAR LIMITED WARRANTY

This product carries a warranty stating that it will be free from defects in material and workmanship for a period of one year from the date of purchase. This warranty is valid for the original retail purchaser from the date of initial retail purchase and is not transferable. Keep your original sales receipt.

IMPORTANT:

1. This warranty does not cover damages resulting from accident, misuse or abuse, lack of reasonable care, the affixing of any attachments not provided with the product, loss of parts, or subjecting the appliance to any but the specified voltage. (Read directions carefully.)
2. This warranty is void if this product is ever used for other than private household purposes.
3. This warranty is void if this product is ever used outside of United States.

If service is required during the warranty period, properly pack your unit. We recommend using the original carton and packing materials.

If additional assistance is needed, please contact customer assistance at:

866-646-4332
Midea America Corp
5 Sylvan Way,
Parsippany, NJ 07054

Midea America Corp. expressly disclaims all responsibility for consequential damages or incidental losses caused by use of the appliance. Some states do not allow this exclusion or limitation of incidental or consequential losses so the foregoing disclaimer may not apply to you. This warranty gives you specific legal rights, and you may also have other rights which may vary from state to state.

The serial number can be found on the back cabinet. We suggest that you record the serial number of your unit in the space below for future reference

Model Number: _____

Serial Number: _____

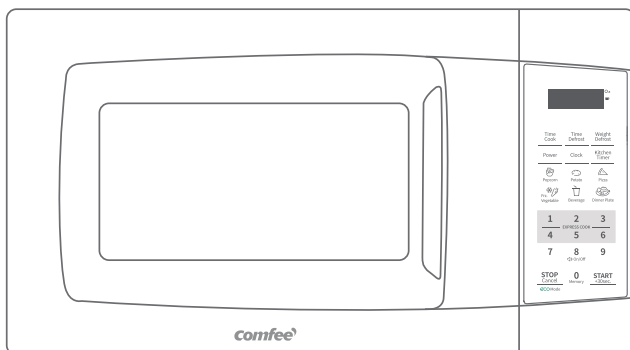
SAVE THIS FOR YOUR RECORDS

Made in China

Horno de solo por microondas

Manual de instrucciones

EM720CPL-PM
EM720CPL-PMB



comfee

Bienvenido al mundo de **COMFEE**

ANTES DE UTILIZAR ESTE PRODUCTO, LEA, ENTENDA Y SIGA ESTAS INSTRUCCIONES.

ASEGÚRESE DE GUARDAR ESTA LISTA DE LIBROS PARA SU CONSULTA EN EL FUTURO

CONTENIDO

PRECAUCIONES PARA EVITAR EXPOSICIÓN EXCESIVA A ENERGÍA DE MICROONDAS

INSTRUCCIONES DE SEGURIDAD IMPORTANTES

GUARDE ESTAS INSTRUCCIONES

UTENSILIOS

AJUSTANDO SU HORNO DE MICROONDAS

FUNCIONAMIENTO

MANTENIMIENTO