



O N D E M A N D



ISOD CUTTER M4

USER GUIDE

LIVE FEARLESSLY

IMPORTANT SAFETY INSTRUCTIONS



READ THESE IMPORTANT SAFETY INSTRUCTIONS

THIS DEVICE IS INTENDED FOR RETAIL USE ONLY

WARNING

To reduce the risk of fire, electrical shock or personal injury, it is important that you read and understand all the instructions and warnings that come with ISoD® M4 Electronic Cutter (“Product”).



ELECTRICAL SHOCK HAZARD

Product is an electrical device. Use with caution. Observe the following precautions:

- Do not operate Product on wet surfaces or near any water sources (tub, shower, sink, etc.).
- Keep liquids and beverages away from Product.
- Unplug Product from outlet when not in use or before cleaning.
- Unplug Product when removing or installing Blades or Blade Holder.



PINCH HAZARD

Cutting Carriage can pinch fingers or hand. Feed Rollers can catch hair or clothing.

- Keep fingers away from moving parts.
- Keep hair and clothing away from moving parts.



CUTTING HAZARD

Cutting Blades are sharp. Handle with care.

- Keep fingers away from exposed blade.



Keep away from Children

- Choking hazard. Small parts.

GENERAL SAFETY RULES:

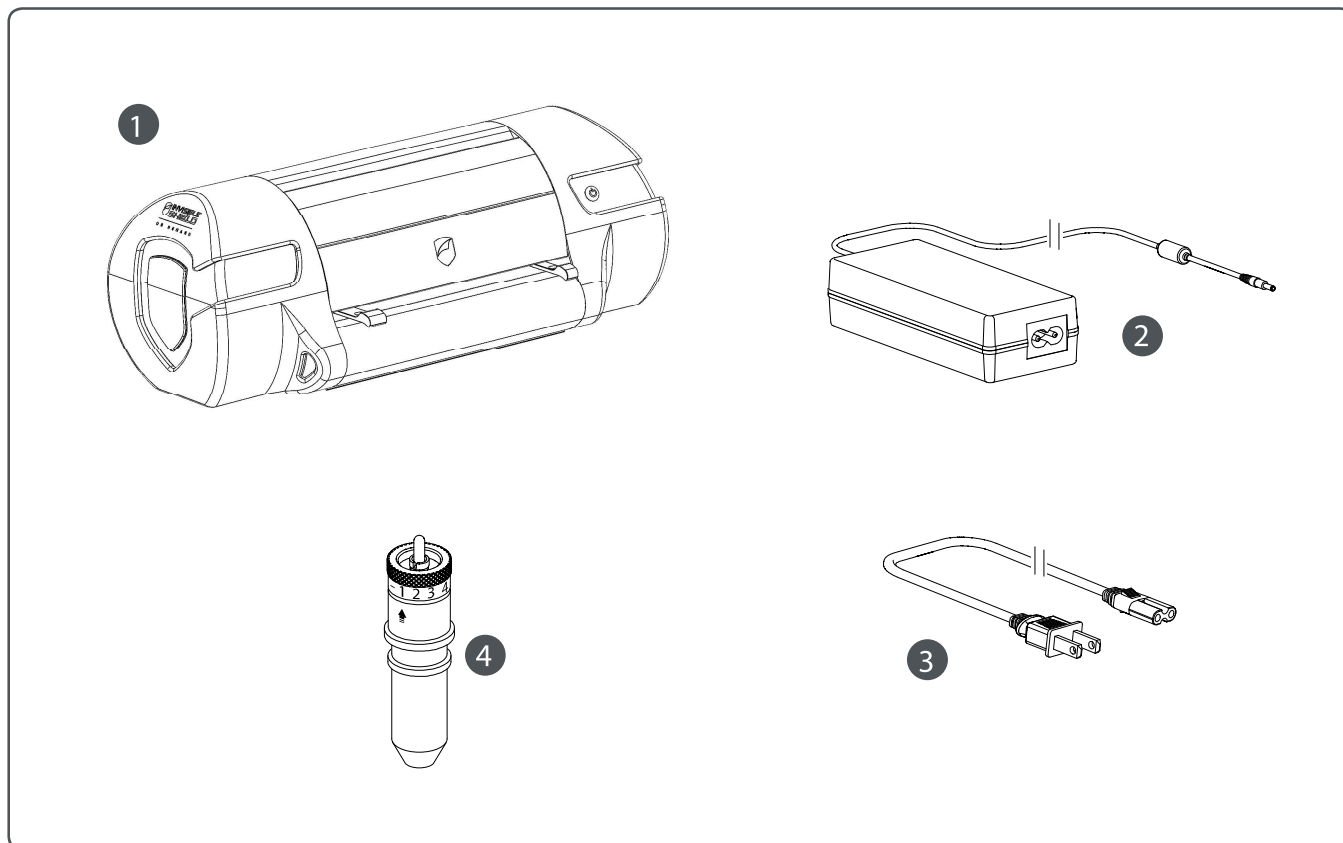
- Read and understand all the instructions and warnings that come with the Product.
- Always operate Product on a dry, clean, level surface.
- Do not operate Product with wet hands.
- Keep area of operation well lit.
- Do not operate Product near flammable liquids or gases.
- Do not operate Product out of doors.
- Do not unplug Product by tugging or pulling the power cord.

SAVE THESE INSTRUCTIONS AND WARNINGS and keep them near your ISoD Cutter.
Please visit <http://zaggisod.com/docs/> for more information.

NOTICE

The device complies with Part 15 of the FCC Rules. Operation is subject to the following two conditions: (1) this device may not cause harmful interference, and (2) this device must accept any interference received, including interference that may cause undesired operation.

CONTENTS

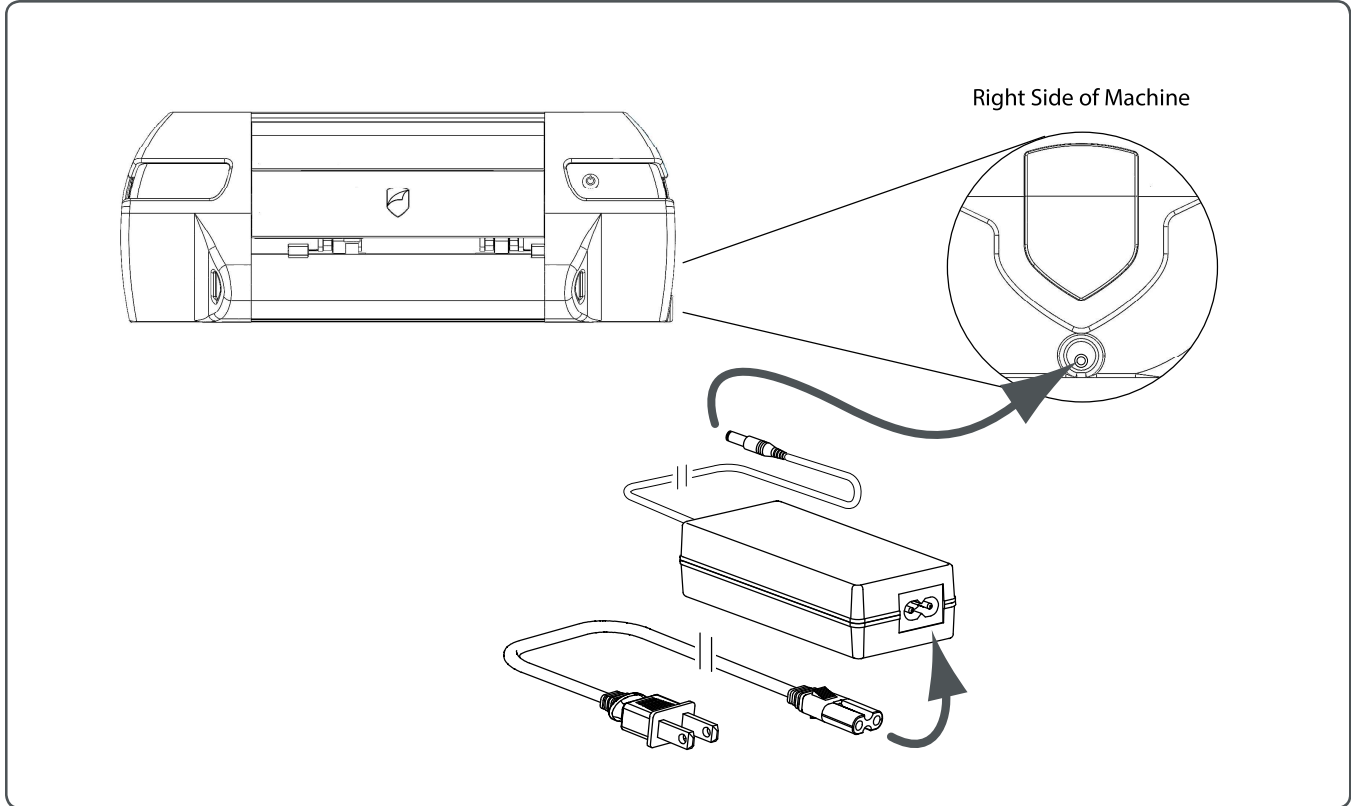


CONTENTS

1. IsoD M4 Cutter (16" x 7 1/2" x 6 1/8")
2. Universal Power Supply
3. Power Cord (Region Specific)
4. Blade Holder

SET UP

CONNECTING

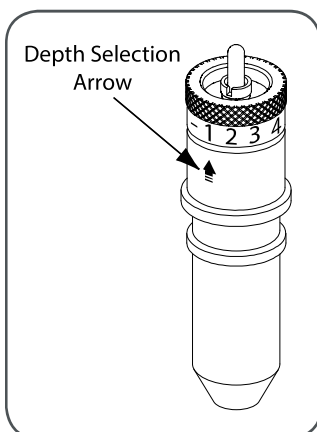


1. Plug Power Cord into Universal Power Supply.
2. Plug Universal Power Supply into side of IsoD Machine.
3. For Bluetooth[®] connection instructions please see Page 6

SETTING THE BLADE DEPTH

NOTICE

DO NOT adjust blade depth while Machine is operating.



Printed on a ring around the Blade Holder Top are Blade Depth Settings, ranging from 1 to 9. These numbers can be selected individually by setting the Depth Selection Arrow on the number relative to the material you will be cutting.

As a general rule, thinner materials, require a lower number Blade Depth Setting, while thicker materials require a higher number Blade Depth setting.

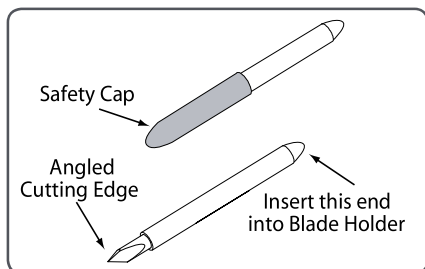
For optimal results, try a test cut and make the necessary adjustments to the settings before performing the final cut.

✓ Lower Number for Thinner Material
Higher Number for Thicker Material

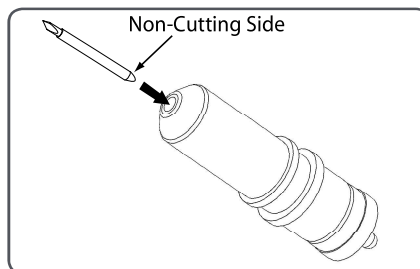
INSERTING THE BLADE INTO THE BLADE HOLDER



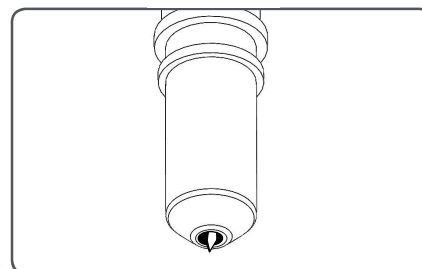
CAUTION: CUTTING HAZARD Blade is sharp, handle with care.



- 1 Carefully remove Safety Cap from Blade, exposing Angled Cutting Edge.



- 2 Carefully insert Non-Cutting Side of Blade into hole at bottom of Blade Holder. Blade is held in place magnetically.




- 3 Note that Blade is exposed, but barely visible, when inserted properly.

INSTALLING THE CUTTING BLADE HOLDER



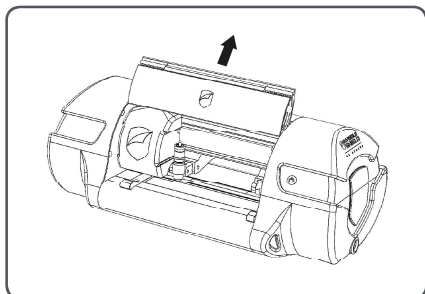
WARNING: MOVING PARTS Keep fingers, hair and clothing away.



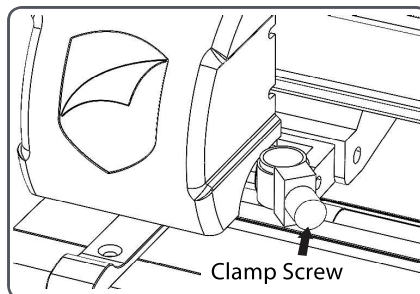
CAUTION:  Always unplug Machine before removing or installing Blade Holder.



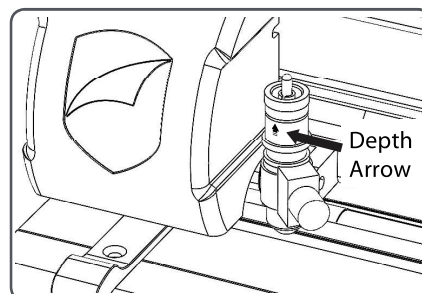
CAUTION: CUTTING HAZARD Keep fingers away from exposed blade.



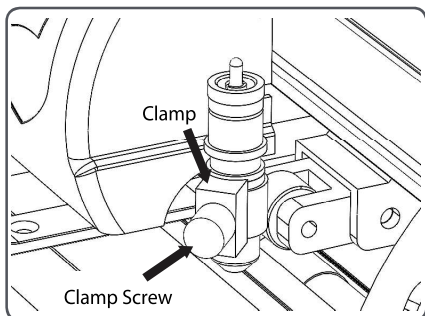
- 1 Lift open Machine Cover to expose Carriage and Blade Holder Clamp.



- 2 Loosen Clamp by turning Clamp Screw counterclockwise, approximately 1/2 of



- 3 Place Blade Holder into Clamp, making sure that Depth Selection Arrow is facing out.



- 4 Tighten Blade Holder by turning the Clamp Screw clockwise, until Blade Holder is secure.

FCC Statement

This equipment has been tested and found to comply with the limits for a Class B digital device, pursuant to Part 15 of the FCC Rules. These limits are designed to provide reasonable protection against harmful interference in a residential installation. This equipment generates uses and can radiate radio frequency energy and, if not installed and used in accordance with the instructions, may cause harmful interference to radio communications. However, there is no guarantee that interference will not occur in a particular installation. If this equipment does cause harmful interference to radio or television reception, which can be determined by turning the equipment off and on, the user is encouraged to try to correct the interference by one or more of the following measures:

- Reorient or relocate the receiving antenna.
- Increase the separation between the equipment and receiver.
- Connect the equipment into an outlet on a circuit different from that to which the receiver is connected.
- Consult the dealer or an experienced radio/TV technician for help.

Changes or modifications not expressly approved by the party responsible for compliance could void the user's authority to operate the equipment.