

Candy Bila

MODEL: BH01

User Manual



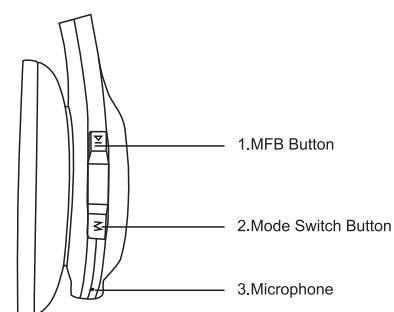
Wireless Headphones

BH01

Candy Bila BH01 Wireless Headphones

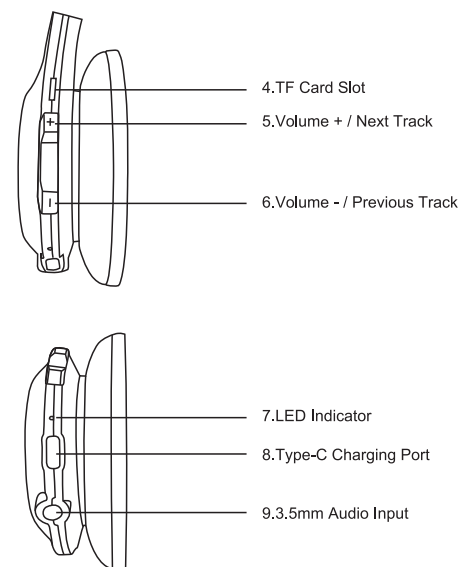
- 1 x Candy Bila BH01 Wireless Headphones
- 1 x 3.5mm Audio Cable
- 1 x USB Type-C Cable
- 1 x User Manual

Product Diagram



-1-

BH01



-2-

BH01

On / Off

1. To power on the headphones, press and hold the MFB button for 2 seconds. The LED indicator will flash blue for 2 seconds.
2. To power off, press and hold the MFB button for 4 seconds. The LED indicator will flash red for 2 seconds and then go off.

Bluetooth Pairing

1. Press and hold the MFB button for 5 seconds until the LED indicator flashes blue. A moment later, the headphones will automatically enter pairing mode, with the LED flashing red and blue alternately.
2. Activate the Bluetooth function on your Bluetooth-enabled device. Select the CB-BH01 from the list of Bluetooth devices found by your device and connect.

Mode Switch Button

1. Short press the mode switch button for light on or off.
2. Long press 2S the mode switch button to switch between bluetooth and TF mode.

-3-

BH01

Operation of Buttons

Volume Up	Short press the "+" button.
Volume Down	Short press the "-" button.
Next Track	Press and hold the "+" button for 2 seconds.
Previous Track	Press and hold the "-" button for 2 seconds.
Play / Pause	Press the MFB button once.
Answer / End A Call	Press the MFB button once.
Reject A Call	Keep pressing the MFB button for seconds.
Activate Siri	Press the MFB button twice.
Clear The Pairing List	Press and hold the "+" button and "-" button simultaneously for 5 seconds in the pairing mode to clear the pairing list. Then the headphone will automatically enter pairing state.

-4-

BH01

Voice Prompt

Power On	Power on
Power Off	Power off
Pairing	Pairing
Successful Pairing	Connected
Disconnection	Disconnected
Low Power	Battery Low

How to Charge the Headphone

Connect the Type-C cable to the Type-C port on the headphone, and a 5V power outlet (power adapter is not included). The indicator light will glow red to indicate charging. When the headphone is fully charged, the indicator light will change from red to blue.

-5-

BH01

FCC Statement

Changes or modifications not expressly approved by the party responsible for compliance could void the user's authority to operate the equipment.
This equipment has been tested and found to comply with the limits for a Class B digital device, pursuant to Part 15 of the FCC Rules. These limits are designed to provide reasonable protection against harmful interference in a residential installation. This equipment generates uses and can radiate radio frequency energy and, if not installed and used in accordance with the instructions, may cause harmful interference to radio communications. However, there is no guarantee that interference will not occur in a particular installation. If this equipment does cause harmful interference to radio or television reception, which can be determined by turning the equipment off and on, the user is encouraged to try to correct the interference by one or more of the following measures:

-6-

BH01

- Reorient or relocate the receiving antenna.
 - Increase the separation between the equipment and receiver.
 - Connect the equipment into an outlet on a circuit different from that to which the receiver is connected.
 - Consult the dealer or an experienced radio/TV technician for help.
- This device complies with part 15 of the FCC rules. Operation is subject to the following two conditions
(1) This device may not cause harmful interference.
(2) This device must accept any interference received, including interference that may cause undesired operation.

FCC ID:2AUKD-BH01

