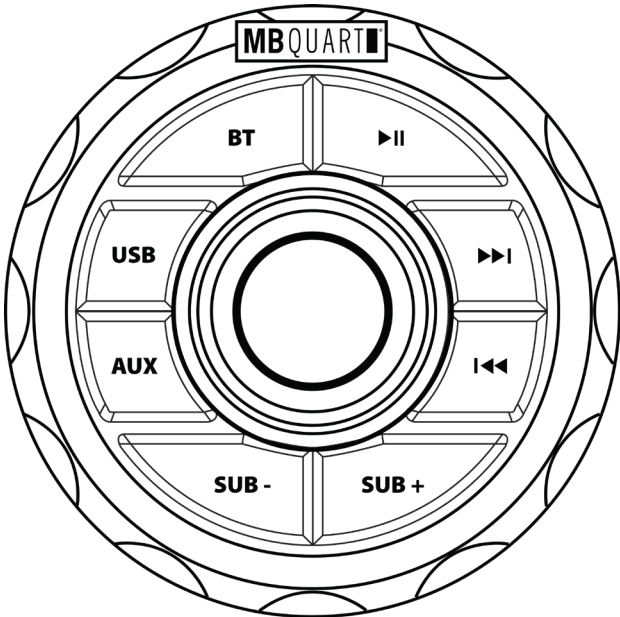


MBQUART®

MUSIC. DEFINED.

GMR1.5W

Bluetooth® Source Unit



**Operator's Guide and
Installation Instructions**

Congratulations for choosing the GMR1.5W Bluetooth® Source Unit by MB Quart. For more detailed information about the product, please visit MBQuart.com



CAUTION



Always consider consulting a professional audio installation technician before installing any mobile audio components. Be careful and take your time. Do not let wires make contact with metal edges, sources of moisture or hot engine components.

General Information

Marine & Powersports Source Unit

160 Watts Peak Power
Pre Amplifier Unbalanced Line Outputs
Gauge Mount

MB Quart Bluetooth Connect

Bluetooth Connection
USB Input
Auxiliary RCA Input

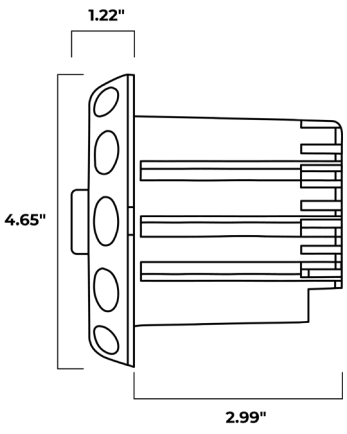
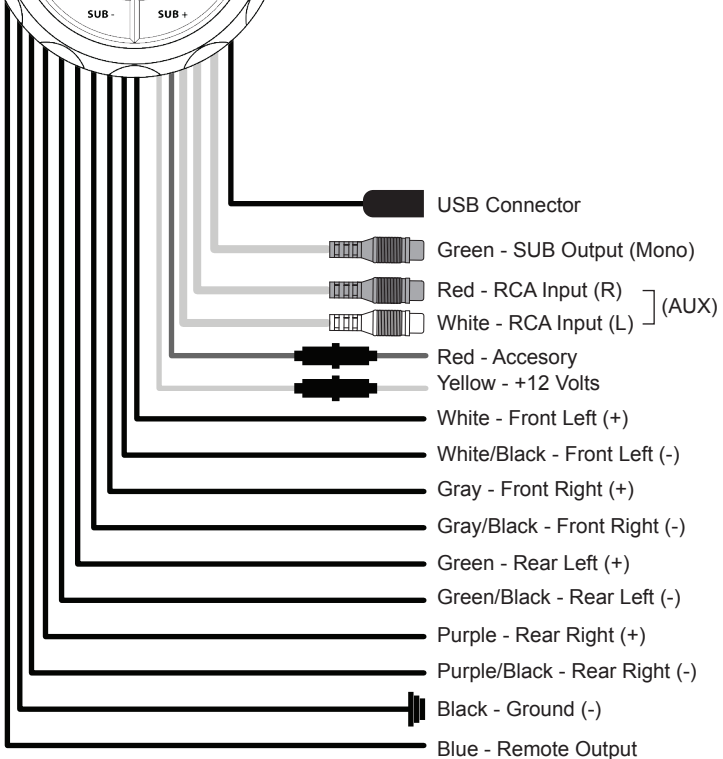
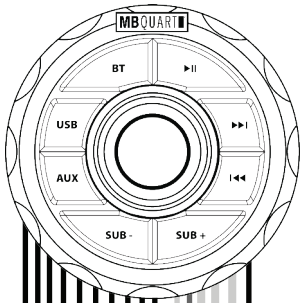
Installation & Power Specifications

4 Channels x 40 Watts (160 Watts Peak Power)
2.99" / 75.95mm Total Mounting Depth
3.14" / 79.76mm Cut Out Diameter

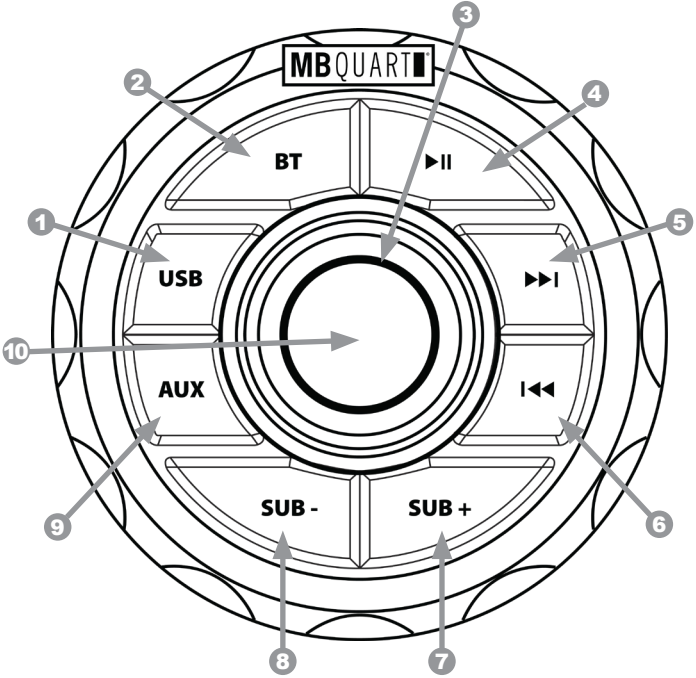
Audio & Other Section

Power Output: 4 x 40 Watts Maxx
Power: DC +12 Volt Battery
Stereo Separation: -65.5dB @ 5kHz
Load Impedance: 4 - 8 Ohms / Channel

Wiring and Connections



Front Panel Controls



1 USB source button

2 BT source button

3 VOL button

4 PAUSE button

5 Next track button

6 Previous track button

7 SUB volume+ button

8 SUB volume- button

9 AUX source button

10 On/Off and Mute

Operation

Turn on/off the unit

Press VOL knob to turn on the unit. When the unit is on, buttons will illuminate blue. Press and hold this button to turn off the unit.

Volume up/down

Rotate the VOL knob to up/down the volume.

SUB+/SUB-

Press SUB+/SUB- button to turn up/down the subwoofer volume.

Mute on/off

Press VOL knob or ">||" button to mute on/off the sound.

AUX in operation

Press AUX button to switch to AUX source when an audio signal is inserted.

USB operation

Press USB button to switch to USB source. Or insert an USB it will switch to the USB source automatically.

Select file

Press / button to skip to next/previous file. Hold >>| button to fast forward or |<< fast reverse.

Play/Pause

Press button to pause/playing the file.

Bluetooth Operation

Pairing

On mobile phone, select the Bluetooth item searching the Bluetooth device. "CAR KIT" should appear in the list, select "CAR KIT" and then input password "0000" If it needs a password. When successful paired, the BT button will be not flashing.

Bluetooth Audio

Press BT button to switch to BT source. It will play a song of your mobile phone automatically. Press ">||" key to pause/play the song. Press >>|/ |<< buttons to select next/previous song.

Note: Once the unit has made a connection with your Bluetooth device for the first time, the unit can then connect to your Bluetooth device automatically within a valid range.

Diagnosics & Trouble Shooting

Before going through the checklist, check wiring connection. If any of the problems persist after checklist has been made, consult your nearest service dealer.

Symptoms	Cause	Solution
No power.	The car ignition switch is not on.	If the power supply is connected to the car accessory circuits, but the engine is not moving, switch the ignition key to "ACC".
No sound.	Volume is in minimum or Wiring is not properly connected.	Adjust volume to a desired level or Check wiring connection.
The operation keys do not work.	The built-in microcomputer is not operating properly due to noise.	Press the reset button.

If you have problem or question that wasn't mentioned above please visit our website at MBQuart.com and go to the TEQ Support section or the Frequently asked questions.

FCC Notice

FCC Statement:

This device complies with part 15 of the FCC Rules. Operation is subject to the following two conditions: (1) This device may not cause harmful interference, and (2) this device must accept any interference received, including interference that may cause undesired operation.

This equipment has been tested and found to comply with the limits for a Class B digital device, pursuant to part 15 of the FCC Rules. These limits are designed to provide reasonable protection against harmful interference in a residential installation. This equipment generates, uses and can radiate radio frequency energy and, if not installed and used in accordance with the instructions, may cause harmful interference to radio communications. However, there is no guarantee that interference will not occur in a particular installation. If this equipment does cause harmful interference to radio or television reception, which can be determined by turning the equipment off and on, the user is encouraged to try to correct the interference by one or more of the following measures:

- Reorient or relocate the receiving antenna.
- Increase the separation between the equipment and receiver.
- Connect the equipment into an outlet on a circuit different from that to which the receiver is connected.
- Consult the dealer or an experienced radio/TV technician for help. Caution: Any changes or modifications not expressly approved by the party responsible for compliance could void the user's authority to operate the equipment.

This equipment complies with FCC radiation exposure limits set forth for an uncontrolled environment. This transmitter must not be co-located or operating in conjunction with any other antenna or transmitter.

This equipment should be installed and operated with minimum distance 20cm between the radiator&your body.



MBQuart.com
#MUSIC DEFINED

WARRANTY

Maxxsonics USA Inc. warrants this product, to the original consumer purchaser, to be free from defects in material and workmanship for a period of one (1) year from the date of purchase. Maxxsonics USA Inc. will, at its discretion, repair or replace defective products during the warranty period. Components that prove to be defective in materials and workmanship under proper installation and use must be returned to the original authorized Maxxsonics USA Inc. retailer from where it was purchased. A photocopy of the original receipt must accompany the product being returned. The costs associated with removal, re-installation and freight are not the responsibility of Maxxsonics USA Inc. This warranty is limited to defective parts and specifically excludes any incidental or consequential damages connected therewith. To view the full warranty, please visit the website.

The Bluetooth® word mark and logos are registered trademarks owned by the Bluetooth SIG, Inc. and any use such marks by MB Quart is under license.

All product names, logos, and brands are property of their respective owners. All company, product and service names used in this literature are for identification purposes only. Use of these names, logos, and brands does not imply endorsement.

MBQuart products are designed and engineered in the USA by
MAXXSONICS®

www.maxxsonics.com

MBQ GMR1.5W OM 01 - rev1