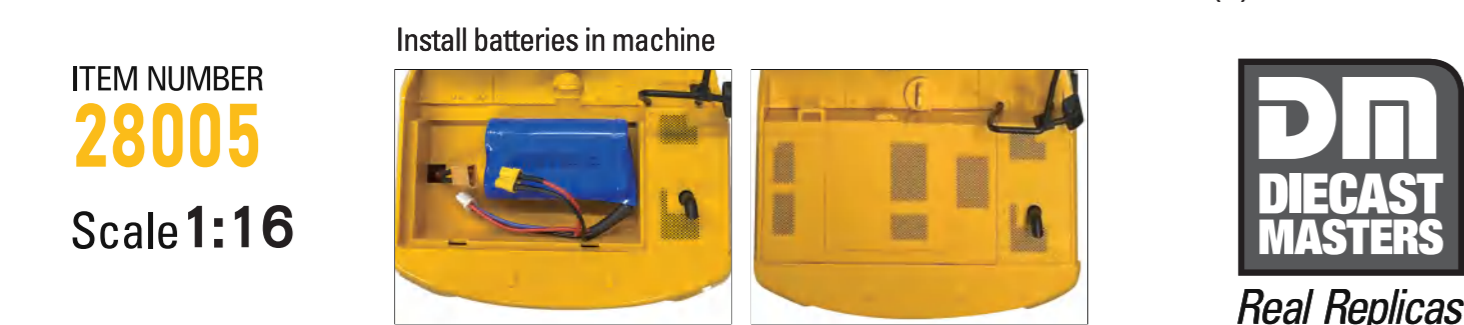


**Cat® Radio Control 1:16 Scale
320 Excavator With Grapple and Hammer**
OPERATING INSTRUCTIONS



OPERATING INSTRUCTIONS



ITEM NUMBER **28005**
Scale 1:16

**Cat® Radio Control 1:16 Scale
320 Excavator With Grapple and Hammer**
OPERATING INSTRUCTIONS (CONT.)



OPERATING INSTRUCTIONS (CONT.)

Package includes:
Excavator, Controller, Grapple, Hammer, USB cable, Two AA batteries, Lithium battery, Sturdy cardboard box with high-quality gray polyfoam tray and handle



Product Information

Frequency	2.4 GHz
Maximum number of users/machines without interference	12
Controller Working Range	25m/82ft
Max. speed (km/h)	0.33
Scale	1:16
Max. play time	45 min.
Charging time	210 min.
Charger	1A, USB cable
Rechargeable Battery	1 x 7.4V 2000mAh 2S
Controller Battery	AA size x2 (not included)
Product Weight	2.76kg

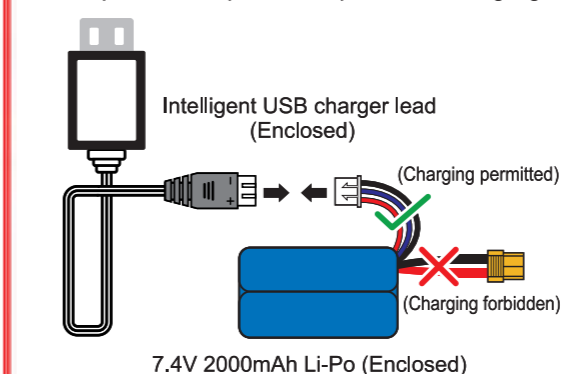
Cat® official licensed product, realistic full working functions (individual operations of bucket, stick-arm & boom-arm, powerful excavation actions by leadscrew transmission), high quality steel gears for durable life, realistic light & sound effect, upper-body can rotate 360 degrees.



BATTERY CHARGING INSTRUCTIONS

CHARGING METHODS

Connect the white port of Li-Po to USB charging port, as shown in the Figure, and ensure port can be connected tightly and correctly, then insert the USB charging plug into power adapter, and perform charging.



BATTERY/USB PARAMETERS

Battery specifications:	18650 7.4V 2000mAh Li-Po
Intelligent USB balance charger with overcharge protection	
Input:	5.0V 1-2A
Output:	4.2V 800mAh X2

Precautions Of Li-Po Batteries

1. Battery can be charged only by originally configured USB charger lead.
2. Be sure to charge with the white Big socket port, not the yellow socket.
3. 7.4V Li-Po must be equipped with 5V USB charging plug.
4. Any Li-Po battery with a damaged appearance should NOT be charged to avoid fire hazards from spontaneous combustion.
5. The battery should be charged according to the specified charging time period.

Safe Usage Instructions for Li-Po Batteries

- Li-Po batteries pose a higher danger compared with other batteries.
- This company does not bear any responsibility resulting from improper usage.
- DO NOT attempt to charge the Li-Po battery with any charger other than the included original charger. Failure to do so may result in an explosion or fire. DO NOT dismantle, subject to impact, incinerate or reverse the connections of the battery. Avoid metal objects impacting the positive and negative polarities of the battery. Please prevent sharp objects from penetrating the battery to avoid the potential of fire.
- Please use caution when charging the battery and ensure charging occurs in a visible area. DO NOT leave battery unattended while charging.
- Battery should be kept out of reach of children to avoid any injury.
- A degraded battery should not be attempted to be recharged. Battery expansion, deformation, explosion or fire may occur.
- Degraded batteries should be disposed of properly following regional or national disposal guidelines to ensure protection of the environment.

WARNING

- This product contains small parts and is not intended for children under the age of 14.
- The remote control requires 2 X 1.5V AA non-rechargeable batteries and the RC excavator requires a 7.4 V 2000mAh Li-Po battery (included)
- The RC excavator motor can generate heat and should not be touched to avoid possible burns.
- Periodically check the wire, plug, shell and other parts of the charger for wear or damage and discontinue use if detected until repaired or replaced.
- The RC excavator should only be charged using the recommended guidelines.
- The LEDs (Light Emitting Diodes) can emit radiation and should not be pointed directly at the eyes.
- Aviation restrictions forbid the use of Radio Control devices within a radius of 3 miles or 5000 meters from any airport runway or facility.
- This device complies with FCC RF radiation exposure limits set forth for an uncontrolled environment. This transmitter must not be co-located or operating in conjunction with any other antenna or transmitter.
- CAUTION : Changes or modifications to this unit not expressly approved by the party responsible for compliance could void the user's authority to operate the equipment.
- This device complies with Part 15 of the FCC rules. Operation is subject to the following two conditions: (1) this device may not cause harmful interference, and (2) this device must accept any interference received, including interference that may cause undesired operation.

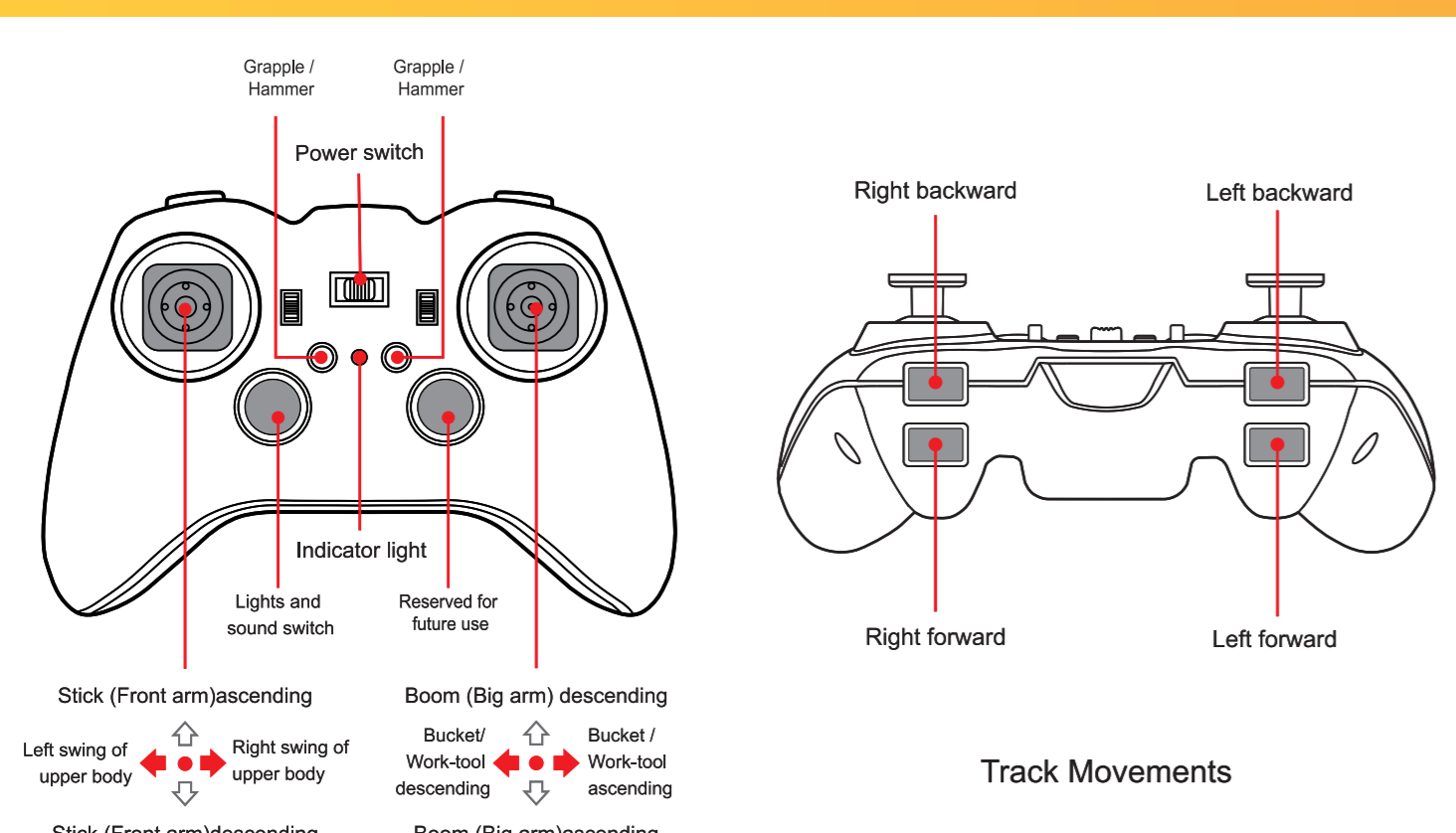
IMPROPER USE OF THIS PRODUCT

Do not dismantle, modify or otherwise alter the operation of this product in any manner. Do not operate this product in an unlawful or illegal manner or as to jeopardize the safety of the operator or others.

IMPORTANT NOTICES

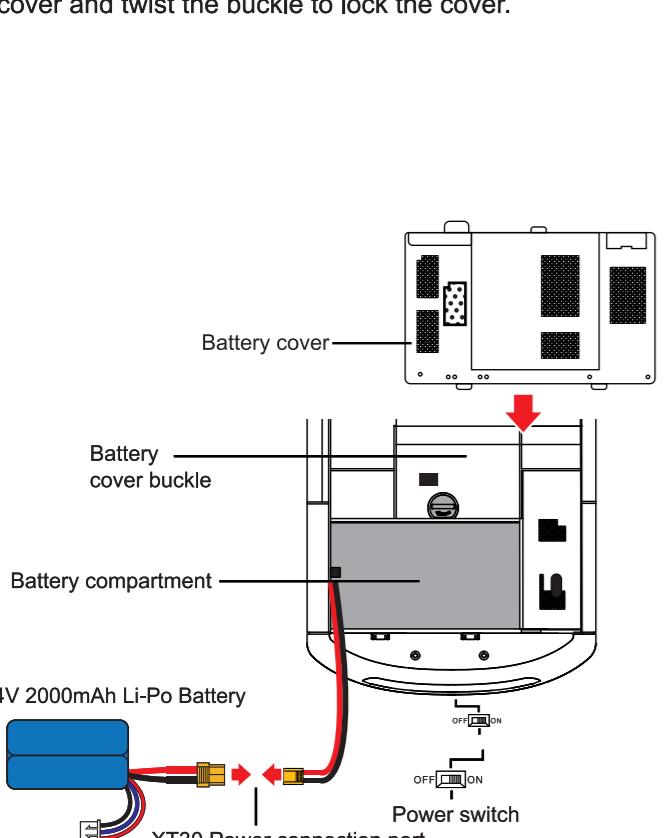
Please note: This product has been manufactured under strict performance guidelines and tested to meet safety standards and requirements. This product is not intended for operators under the age of 14. The manufacturer bears no responsibility for injury or accidents resulting from the use of abnormal parts, excessive wear, improper assembly or operation. Please operate this product in a safe and responsible manner.

FUNCTION INTRODUCTION OF REMOTE CONTROL



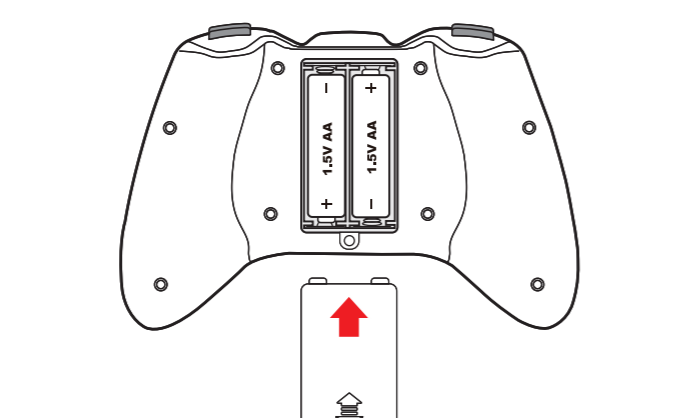
INSTALLATION OF REMOTE-CONTROL MODEL BATTERY

Model is equipped with a 7.4V 2000mAh Li-Po battery (included). First, twist the buckle to open the battery cover, then correctly connect the battery following the diagram. Place the battery into the compartment. Close the battery cover and twist the buckle to lock the cover.



INSTALLATION OF REMOTE CONTROL BATTERY

The remote control requires 2 X 1.5V AA non-rechargeable batteries. Open the battery cover by loosening the cover screw. Place the batteries into the compartment observing the correct polarity. Replace the battery cover and tighten the cover screw.



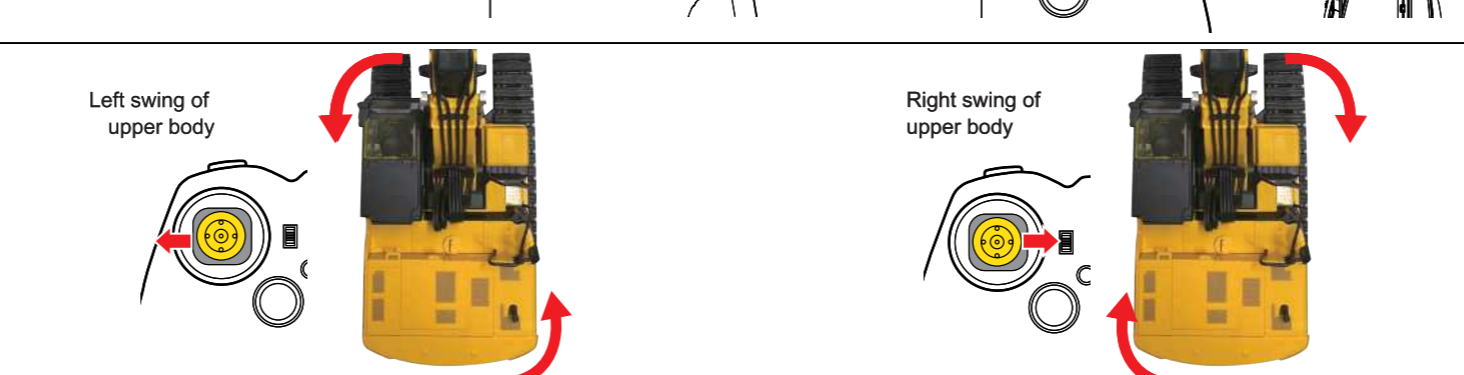
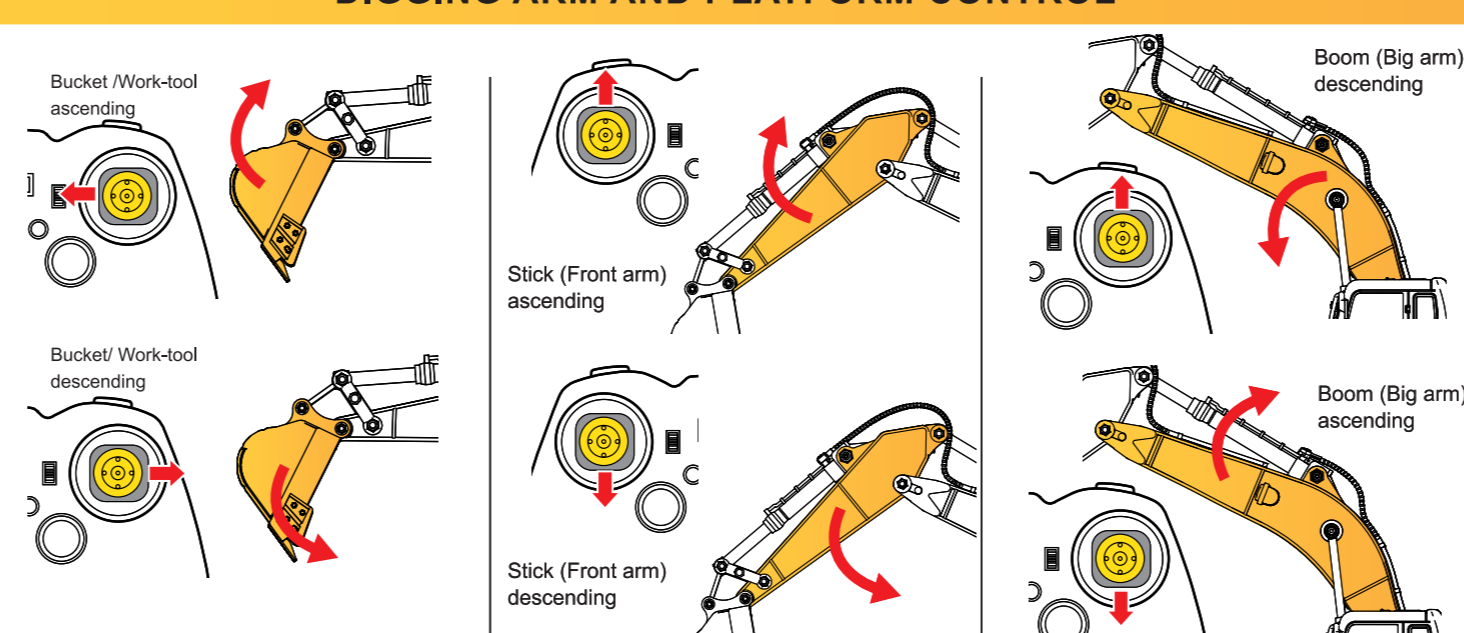
- Battery Installation Instructions:**
1. Remove rechargeable battery from package and install correctly in machine following included guidelines.
 2. The rechargeable battery should be removed from the machine before recharging.
 3. Recharge battery only under adult supervision.
 4. Do not use rechargeable AA batteries in the remote control
 5. Do not combine old and new AA batteries in the remote control
 6. Use the same type or brand of new AA batteries in the remote control
 7. Place AA batteries in the remote control observing the correct polarity
 8. Use caution to avoid short-circuit of the battery terminals in the remote control

**Cat® Radio Control 1:16 Scale
320 Excavator With Grapple and Hammer**
OPERATING INSTRUCTIONS (CONT.)

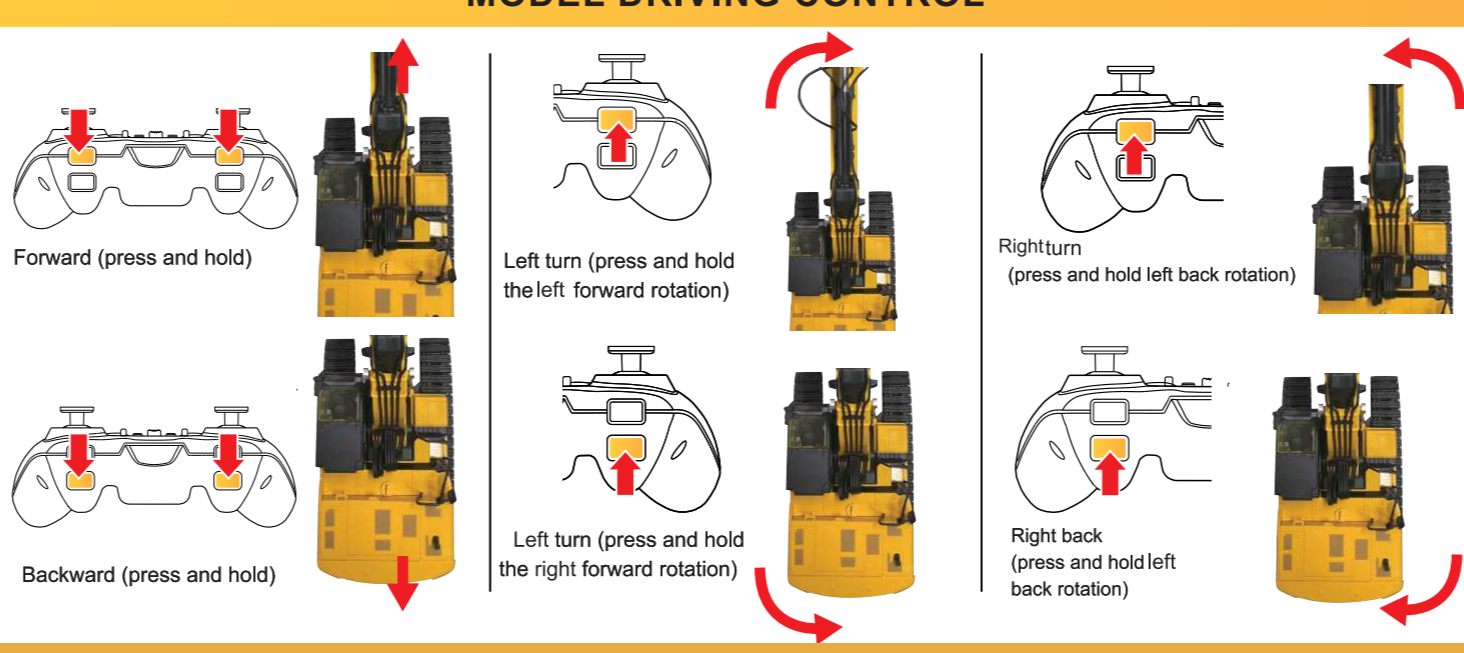


OPERATING INSTRUCTIONS (CONT.)

DIGGING ARM AND PLATFORM CONTROL



MODEL DRIVING CONTROL

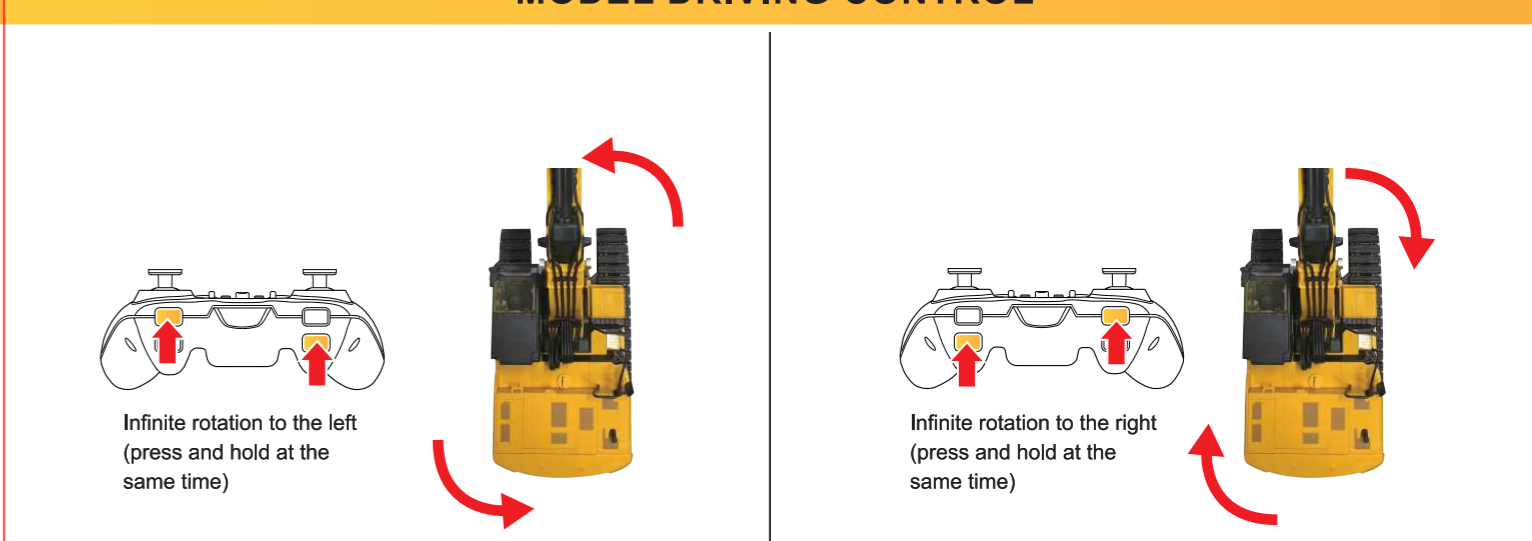


**Cat® Radio Control 1:16 Scale
320 Excavator With Grapple and Hammer**
OPERATING INSTRUCTIONS (CONT.)



OPERATING INSTRUCTIONS (CONT.)

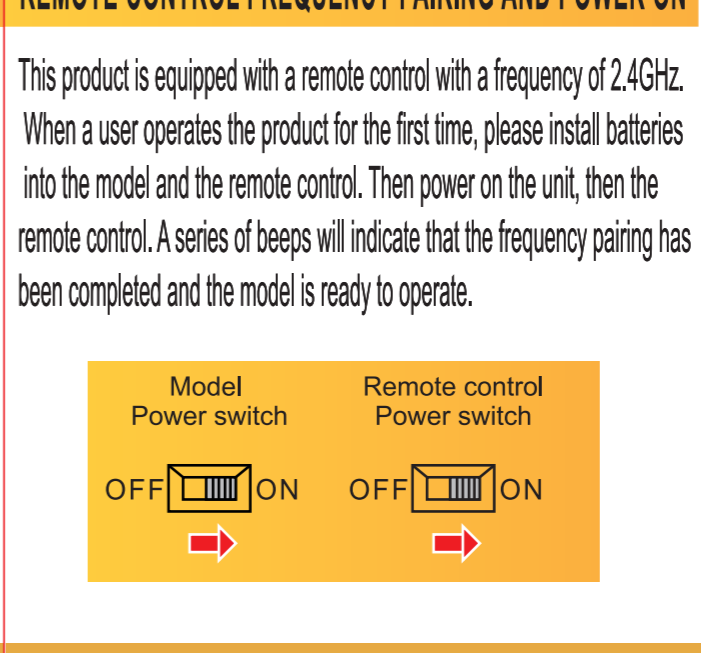
MODEL DRIVING CONTROL



REOLACEMENT PARTS

1. First remove the bucket fixing screws (Image 1), detach the bucket (Image 2)
- Install the accessory on the forearm, insert the bolt on the nut and lock it. (The installation method of the two accessories is the same)
-
- The accessories need to be plugged in after installation

REMOTE CONTROL FREQUENCY PAIRING AND POWER ON



This product is equipped with a remote control with a frequency of 2.4GHz. When a user operates the product for the first time, please install batteries into the model and the remote control. Then power on the unit, then the remote control. A series of beeps will indicate that the frequency pairing has been completed and the model is ready to operate.

LIGHT AND SOUND CONTROL

