

1:24RC 770 Mining Truck

OPERATING INSTRUCTIONS



FULL FUNCTION
CONSTRUCTION RC



FREQUENCY
2.4 GHz



SPEED:
6 KM/HR



ACTIVE MOVEMENT



MULTI - PLAYERS



CONTROL RANGE 25M/82ft

8+

CONSTRUCTION RC

Contents

- RC Vehicle (Vehicle) x 1
- RC Transmitter (Transmitter) x 1
- Instruction Manual x 1



RC Transmitter (Transmitter) x 1



RC Vehicle (Vehicle) x 1

BATTERY REQUIREMENTS:

2 x AAA
For Transmitter
(not Included)

5 x AA
For Vehicle
(not Included)

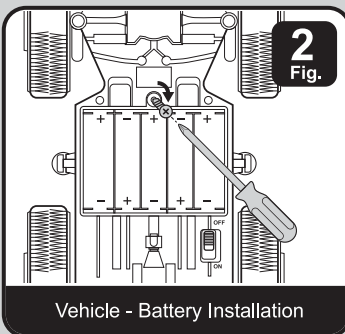
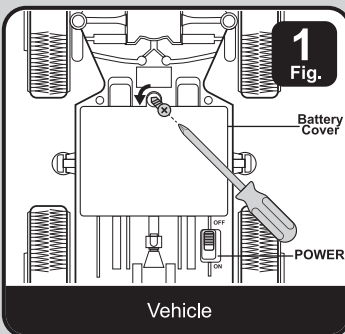
Battery Precaution

1. Alkaline batteries are recommended to be used
2. Only batteries of the same or equivalent type as recommended are to be used
3. Do not mix alkaline, standard or rechargeable batteries
4. Do not mix old and new batteries or different type of batteries
5. Non-rechargeable batteries are not to be charged
6. Rechargeable batteries for adult charging only
7. Rechargeable batteries are to be removed from the product before they are charged
8. Be sure to insert batteries with correct polarities and always follow the battery manufacturer's instructions
9. Remove all batteries from the Vehicle and Transmitter when not in use
10. Exhausted batteries are to be removed from the product
11. The supply terminals are not to be short-circuited
12. Dispose of batteries properly. Do not dispose of the batteries in fire – it may cause them to explode or leak causing injury or damage
13. Battery installation and removal must only be done by adult

Battery Installation

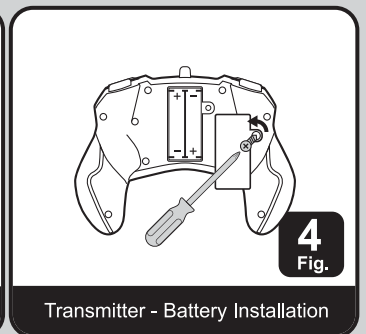
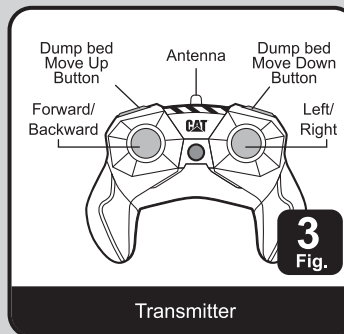
For Vehicle (Fig. 1 and Fig. 2)

1. Switch OFF the power
2. Unscrew the screw on the battery cover
3. Open the battery cover
4. Install 5 new 1.5V AA batteries with correct polarities (+/-) as shown inside the battery compartment
5. Close the battery cover
6. Tighten the screw on the battery cover



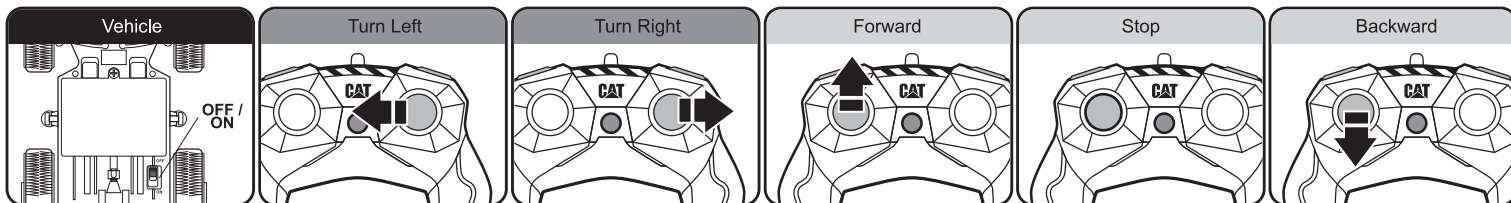
For Transmitter (Fig. 3 and Fig. 4)

1. Unscrew the screw on the battery cover
2. Open the battery cover
3. Install 2 new 1.5V "AAA" batteries with correct polarities (+/-) as shown inside the battery compartment
4. Close the battery cover
5. Tighten the screw on the battery cover



How to Bind

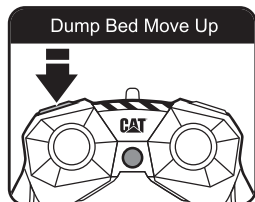
1. Turn on the Vehicle.
2. Install batteries in the Transmitter then the Transmitter signal light will flash for a few seconds.
3. After the wheels of the Vehicle turn left and right and the LED light of the Transmitter stops flashing, the binding process completed for playing.
4. If it cannot complete within 8 seconds, please turn off the Vehicle and re-start the binding process.
5. When the binding process is done, whenever switching the Vehicle on and off, it searches for the code that it memorized and will only lock on to the Transmitter signal containing that code.
6. Please turn off the Vehicle and re-start all binding process if changing to another 2.4GHz Transmitter for playing.



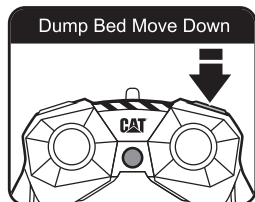
1. Switch ON the Vehicle

2. Use the Left / Right joystick to control the Vehicle turning left or right

3. Use the Forward / Backward joystick to drive the Vehicle Forward, Stop and Backward



4. Press the Dump bed move up



5. Press the Dump bed move Down

6. If the Vehicle does not run in straight line, adjust the direction adjustment on the Vehicle chassis (Fig. 1).

7. Play on smooth surface for optimum performance.

8. Remember to switch OFF the power of the Vehicle after playing.

9. The optimum control range is up to 25m (82ft) outdoor.

Performance Tips

1. Do not drive on grass, dirt, sand, dusts, carpet or go through water.
2. Do not drive in windy or rainy weather.
3. Avoid direct impact the Vehicle with obstacles.
4. Switch OFF the power when not in use to prevent damage of Vehicle and Transmitter due to leakage of electrolyte from batteries.
5. Remove all batteries from the Vehicle and Transmitter when not in use for long period.
6. Keep fingers, hair and loose clothing away from wheels.
7. The operating range can be affected by a variety of factors.
 - a) Low Voltage of batteries in Transmitter or Vehicle.
 - b) Interference from other items that emit radio frequency signals.
8. Outdoor usage is recommended in order to get optimum control range.
9. Recommend to play the vehicle on a clean and smooth surface.
10. Clean the battery compartment to make sure it is free from dust to prevent poor contact of batteries.

Cautions

1. Do not attempt to disassemble the Vehicle or Transmitter.
2. Make sure the batteries are installed with correct polarities (+/-) as shown inside the battery compartment.
3. Remove the package and take out all accessories before giving the Vehicle and Transmitter to child to play.

The packaging and instruction manual contain important information.

Please keep them for future reference.

Warning! Choking Hazard. Not suitable for children under the age of 3 years due to small parts.

We reserve the right to improve/amend specifications and colors without notice.

Warning! The Antenna of vehicle and/or transmitter is/are not to be inserted into socket outlets.

FCC label compliance statement:

This device complies with part 15 of the FCC rules. Operation is subject to the following two conditions:

1. This device may not cause harmful interference, and
2. This device must accept any interference received, including interference that may cause undesired operation. Note: This equipment has been tested and found to comply with the limits for a Class B digital device, pursuant to Part 15 of the FCC Rules. These limits are designed to provide reasonable protection against harmful interference in a residential installation. This equipment generates, uses and can radiate radio frequency energy and, if not installed and used in accordance with the instructions, may cause harmful interference to radio communications. However, there is no guarantee that interference will not occur in a particular installation. If this equipment does cause harmful interference to radio or television reception, which can be determined by turning the equipment off and on, the user is encouraged to try to correct the interference by one or more of the following measures:

- Reorient or relocate the receiving antenna
- Increase the separation between the equipment and receiver
- Connect the equipment into an outlet on a circuit different from that to which the receiver is connected
- Consult the dealer or an experienced radio/TV technician for help

Warning: Changes or modifications to this unit not expressly approved by the party responsible for compliance could void the user's authority to operate the equipment.

RSS-210 Compliance Statement:

This device contains licence-exempt transmitter(s)/receiver(s) that comply with Innovation, Science and Economic Development Canada's licence-exempt RSS(s).

Operation is subject to the following two conditions:

- (1) This device may not cause interference.
- (2) This device must accept any interference, including interference that may cause undesired operation of the device.

Declaration of Conformity

The product is in conformity with the requirement of EU Directive 2014/53/EU

Environmental notes:



The whole product also does not belong to household waste at the end of the product life. You can return it at collection points for the recycling of electronic and electrical instruments. The symbol on the item, instruction manual, hangtag or packing is showing this clearly. Materials should be recycled according to their respective markings. Recycling of old devices or other re-use of materials contained therein represents an important contribution to environmental protection. Please ask at your local community for the correct collection point.

Disposal of batteries



Batteries should not be disposed of in the household waste. As the consumer you are legally obliged to return batteries containing harmful substances and all other used batteries. You can hand in your old batteries at public collection points in your area or wherever batteries are sold. You will find these chemical abbreviations along with a crossed-out refuse bin on batteries containing harmful substances:
 Pb=Battery contains lead
 Cd=Battery contains cadmium
 Hg=Battery contains mercury

PRODUCT MUST BE ASSEMBLED BY ADULT ONLY.



Conforms to the safety requirements of ASTM F963

Frequency band: 2405-2475 MHz
 Maximum radio frequency power transmitted: <0 dBm



www.cat.com / www.caterpillar.com

© 2020 Caterpillar. CAT CATERPILLAR, their respective logos, "Caterpillar Yellow," the "Power Edge" trade dress as well as corporate and product identity used herein, are trademarks of Caterpillar and may not be used without permission.

Diecast Masters Company Limited, a licensee of Caterpillar Inc.

©2020 Diecast Masters Company Limited Room 1801-5, 18/F King Palace Plaza 52A Sha Tsui Road Tsuen Wan, N.T., Hong Kong



www.diecastmasters.com