

# TTC 2030

## Technical Report according to 47 CFR § 2.1033 - Application for certification (b) - Label and Location Info

---

<b>Reference:</b>	TTC 2030
<b>Security:</b>	Public
<b>Document number:</b>	D-TTC2030-TR-02-013
<b>Version:</b>	1.0.1
<b>Date:</b>	2023-07-04
<b>Status:</b>	Released
<b>Review:</b>	Sindrak

---

### TTControl GmbH

Schoenbrunner Str. 7, A-1040 Vienna, Austria, Tel. + 43 1 585 34 34-0, Fax +43 1 585 34 34-90, [office@tttech.com](mailto:office@tttech.com)

No part of the document may be reproduced or transmitted in any form or by any means, electronic or mechanical, for any purpose, without the written permission of TTControl GmbH. Company or product names mentioned in this document may be trademarks or registered trademarks of their respective companies. TTControl GmbH undertakes no further obligation in relation to this document.

**Project Name:** TTC 2030

**Document Title:** Technical Report according to 47 CFR § 2.1033 - Application for certification (b) - Label and Location Info

Version: 1.0.1

Page 2

## History of Changes

Version	Date	Person	Modification
0.0.1	2020	MVO	Creation of TTControl template
1.0.0	2023-04-19	Voghuber	Initial version
1.0.1	2023-07-04	Voghuber	Update after review (delete figure 1, modify figure 3)

## Table of Contents

<b>1</b>	<b>Overview .....</b>	<b>4</b>
<b>2</b>	<b>Objective .....</b>	<b>4</b>
<b>3</b>	<b>47 CFR § 2.1033 (b) .....</b>	<b>5</b>
3.1	Label Design .....	5
3.2	Label Location .....	5

## List of Figures

<i>Figure 1: Label Design .....</i>	<i>5</i>
<i>Figure 2: Label Location .....</i>	<i>5</i>

## List of Tables

**No table of figures entries found.**

**Project Name:** TTC 2030

**Document Title:** Technical Report according to 47 CFR § 2.1033 - Application for certification (b) - Label and Location Info

Version: 1.0.1

Page 4

## 1 Overview

The purpose of this document is to provide the required data and information as required per FCC Title 47, Chapter I, Subchapter A, Part 2, Subpart J, §2.1033 – “Application for Certification” – Label and Location Info for the product “TTC 2030”, that shall be FCC certified.

## 2 Objective

The device that shall be certified is identified as follows:

Device Description: TTC 2030

Hardware Identification: H-TTC2030-P-02-001

Product Type Code: TTC 203x

FCC-ID: 2AUIVTTC2030

Date of Manufactory: xx/202x

### 3 47 CFR § 2.1033 (b)

#### 3.1 Label Design

The following design artwork is used for the product label:

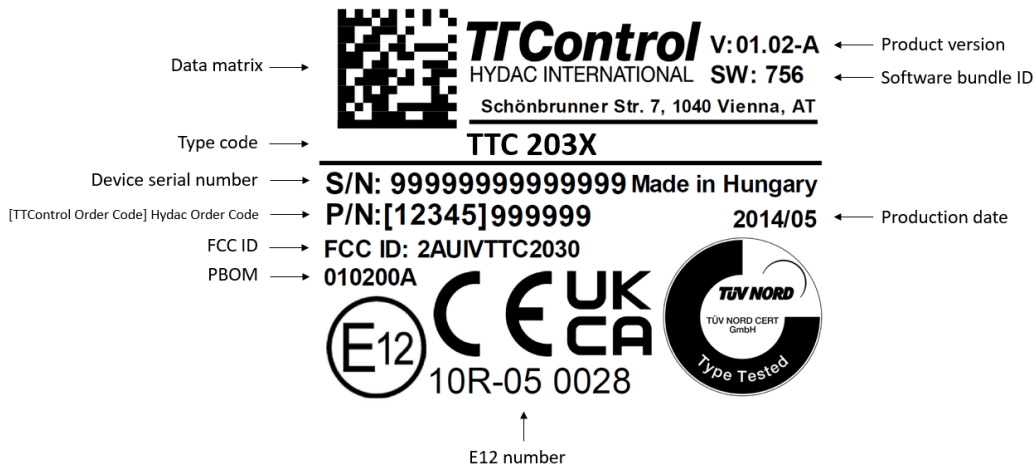


Figure 1: Label Design

The size of the product label is 32 x 25 mm.

#### 3.2 Label Location

The product label is fitted on the top side of the device, see the following reference drawing:

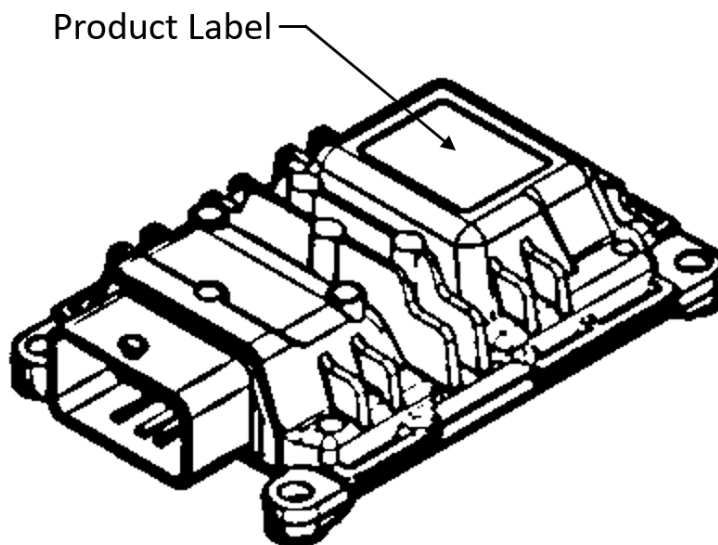


Figure 2: Label Location

## Abbreviations and Acronyms

Abbr. / Term	Meaning
FCC	Federal Communications Commission

---

## Glossary

Abbr. / Term	Meaning
--------------	---------

---

**Project Name:** TTC 2030

**Document Title:** Technical Report according to 47 CFR § 2.1033 - Application for certification (b) - Label and Location Info

Version: 1.0.1

Page 7

## References

- [1] FCC Title 47 – Part 2 J CFR § 2.1033, Application for certification
- [2] FCC Title 47 - Part 15 B, 47 CFR Ch. I (10–1–21 Edition), Unintentional Radiators