

Date: July 22, 2022

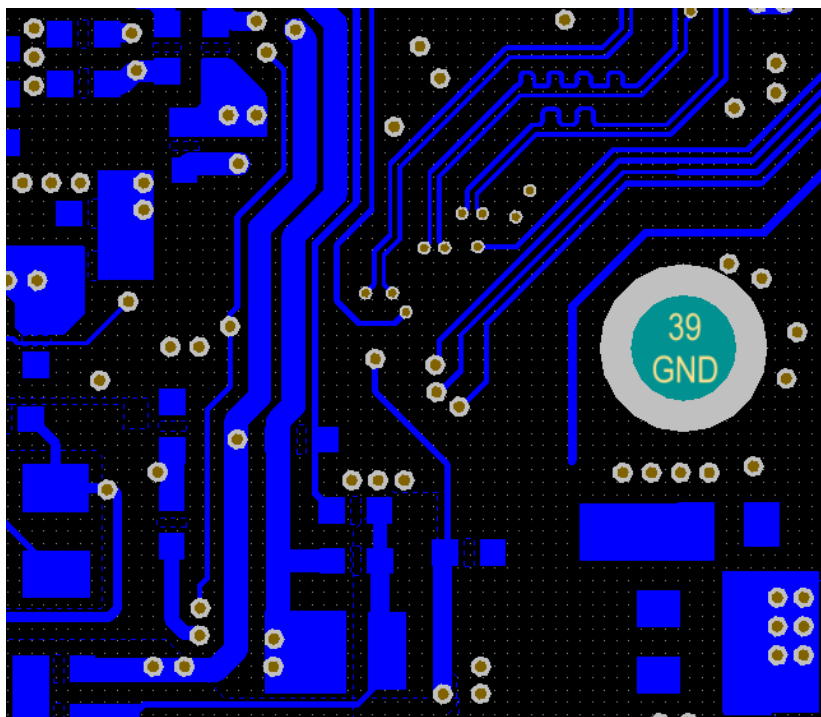
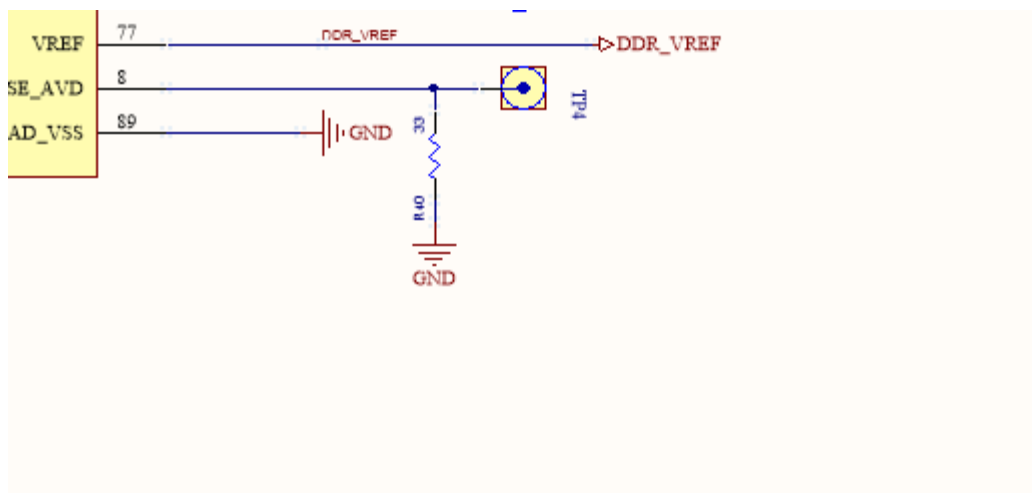
## Difference of Declaration

To whom it may concern,

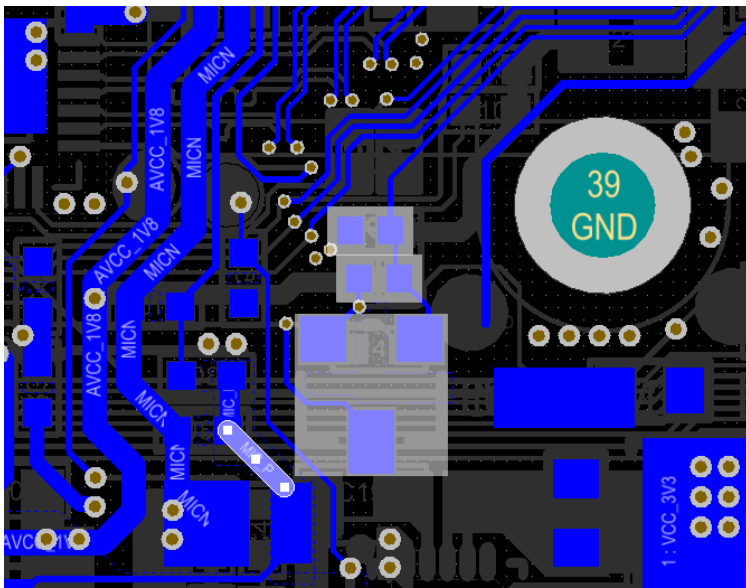
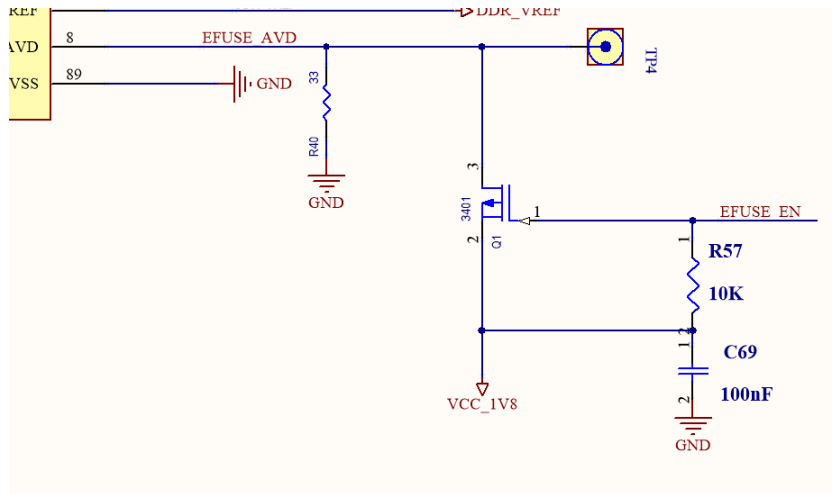
We, the undersigned **Wyze Labs, Inc**, hereby declare the difference between HW:V1.3 and HW: 1.4 are as below:

V1.4 Schematic diagram: add MOS tube, resistance and capacitance to external circuit.

V1.3:



V1.4:



Except for the changes mentioned above, no other modification is performed. Also, the change does not have any impact on the approved radio parameter such as power, frequency range, RF circuit etc.

If you have any question regarding the authorization, please don't hesitate to contact us.

Thank you!

Sincerely yours,

Wyze Labs, Inc  
5808 Lake Washington Blvd NE Ste 300 Kirkland WA 98033

*Roy Zhang*

---

Name: Roy Zhang, Certification Senior Manager

Company name: Wyze Labs, Inc

Tel.: +86 17600404714

E-mail: roy.zhang@wyze.cn