

WYZE™ ROBOT VACUUM MANUAL

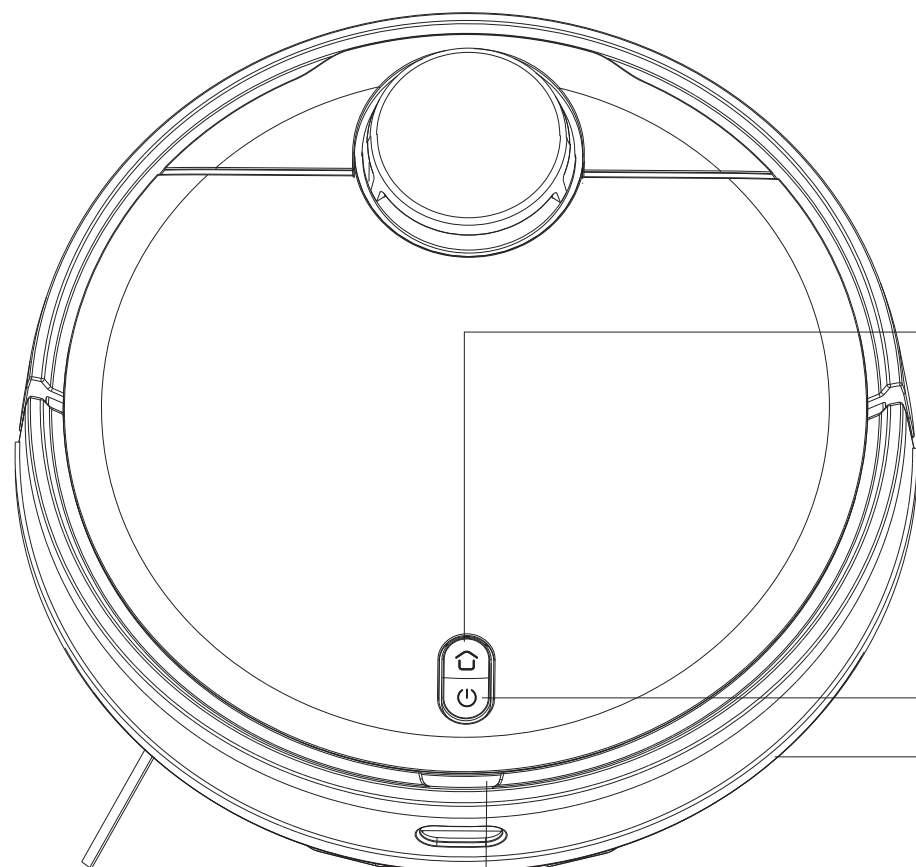
Please read this manual carefully before use and keep it properly. The adapter supplied with this product can only be used at an altitude below 6561.68 ft.

CONTENTS

Product Introduction	1
Installation Instructions	4
Operation Instructions	5
Routine Maintenance	7
Basic Parameters	9
Troubleshooting	10
Common Problems	11
Restrictions on Use	12
Warranty Certificate	13

Product Introduction

Robot



- **Intelligent recharging**



Short press it to start intelligent recharging

- **Startup and shutdown/global cleaning**

Short press it to start/suspend cleaning
Long press it for 3s to start up or shut down the robot

Blue light remains on: Working normally
White light blinks slowly: Returning for recharging / low battery
Yellow light breathes: Charging
Blue light blinks slowly: Entering the network configuration mode
Blue light breathes: Starting up / Upgrading firmware
Red light blinks fast: Abnormal state

- **Network configuration**

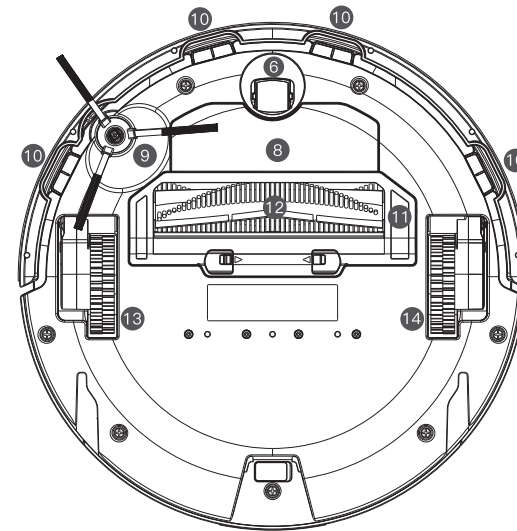
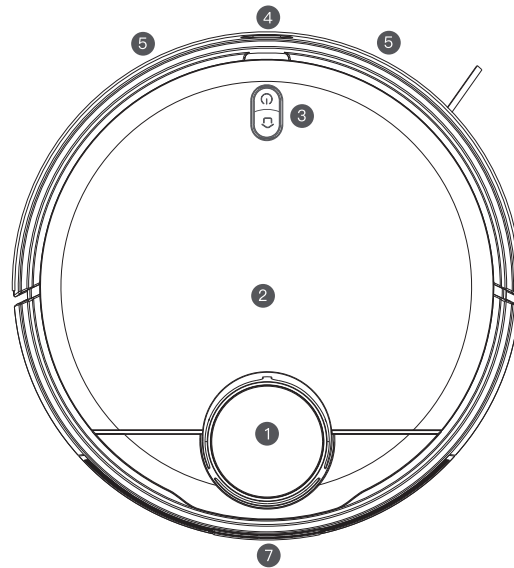
In power-on state, press and hold  and  simultaneously for 3s to enter network configuration.

- **Cover opening**

Tip: The dustbin can be removed by opening the top cover from here.

Product Introduction

Robot and Sensor



① Laser radar

② Top cover

③ Button

④ Infrared receiving sensor

⑤ Collision sensor

⑥ Universal wheel

⑦ Charging electrode

⑧ Battery

⑨ Side brush

⑩ Boundary sensor

⑪ Cover for middle motor

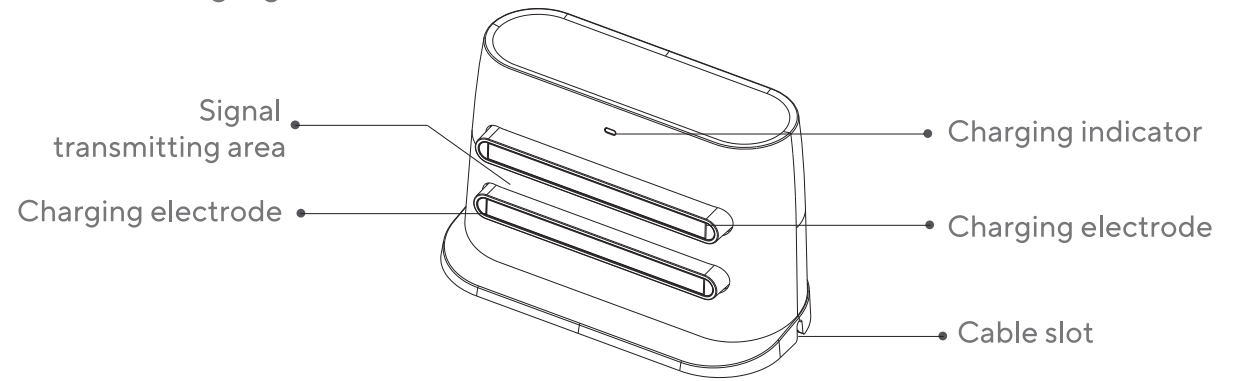
⑫ Rolling brush

⑬ Left wheel

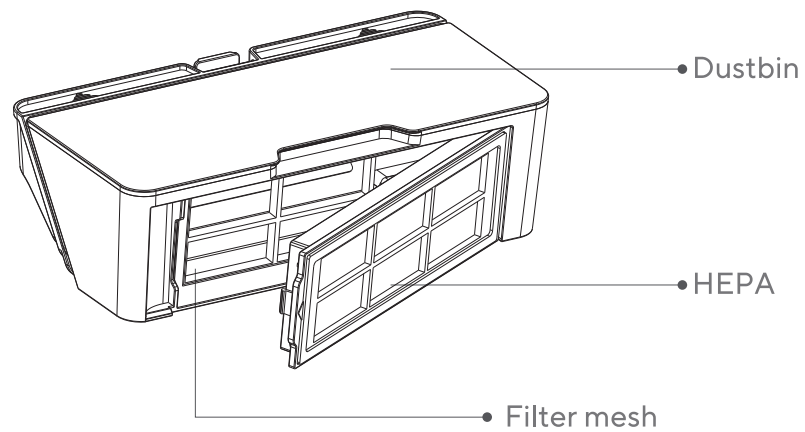
⑭ Right wheel

Product Introduction

Charging Dock

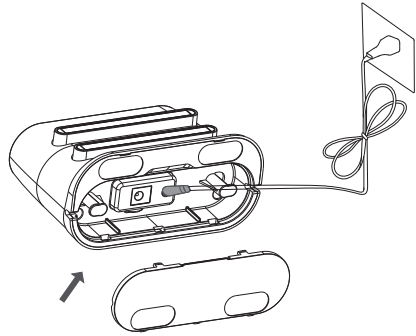


Dustbin component



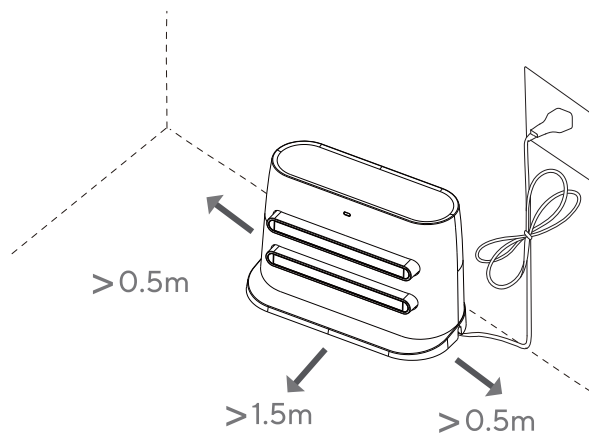
Installation Instructions

1. Connect the power cord, and collect the redundant cable.




* Please put the redundant cable into the cable slot at the bottom of the charging dock, otherwise the cable may be dragged and disconnect power supply to the charging dock.

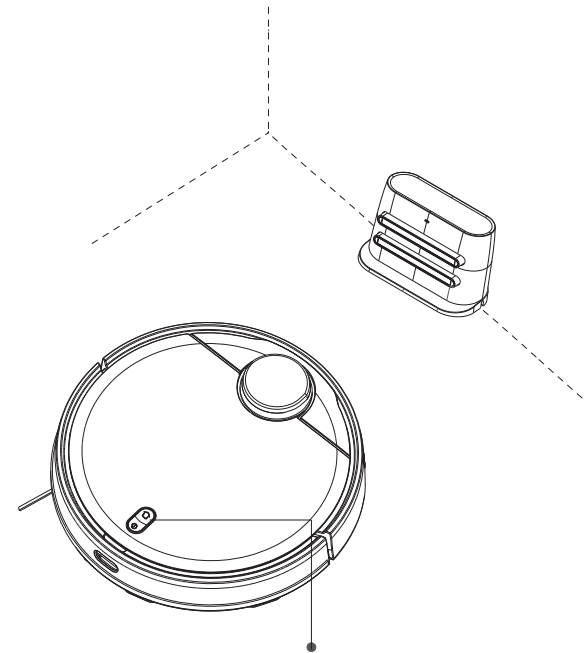
2. Place the charging sock against a wall, and connect the power supply.



* Please ensure a space of at least 0.5m on both the left and right sides of the charging dock, and a space of at least 1.5m in front of it;
* Do not expose the charging dock to direct sunlight.

3. Startup and charge.

Long press  for 3s; the indicator light on the robot comes on, connect the robot to the charging dock for charging.



Blue light remains on: Startup finished / working normally / charging finished
White light breathes: Charging
Red light blinks: Abnormal state

*In case of low battery , it is possible that the robot cannot start up or shut down. Please directly connect the robot to the charging dock.
* The robot will start up automatically after connection to the charging dock.
* The robot cannot shut down while it is connected to the charging dock.

Operation Instructions

1. Startup/shutdown

The robot will start up automatically while it is being charged on the charging dock.

The robot cannot shut down while it is being charged on the charging dock.

Long press the Power Button; the power indicator light comes on, and the robot enters the power-on state; after startup, a prompt tone will be heard. When the robot is stationary, long press the Power Button to shut it down; there will be a voice prompt indicating shutdown.

2. Cleaning

1. In power-on state, short press the power button; the voice prompt "Enter global cleaning" will be heard.

2. In power-on state, short press the Recharge Button; the voice prompt "Enter recharge mode" will be heard.

3. Enter the device home page via the App; click the "Start" button to start cleaning. The voice prompt "Enter global cleaning" will be heard.

4. Enter the device home page via the App; click the "Recharge" button to start recharging. The voice prompt "Enter recharge mode" will be heard.

* In case of low battery, the cleaning function cannot be enabled.

3. Recharging

1. When the robot finishes cleaning, the voice prompt "Cleaning is finished. Enter the recharge mode" will be heard. The robot will get recharged automatically.

2. In case of low battery during cleaning, the robot will get recharged automatically; after it gets fully charged, it continues where it stops previously.

3. The robot shuts down automatically if the battery is exhausted, you can manually put back the robot to the charging dock for charging. Please ensure that the charging electrodes are in good contact.

4. Light indication

1. When the button light on the robot is off, the robot is in "power-off/sleep" state.

2. When the blue button light on the robot blinks continuously, the robot is in "network configuration" state.

3. When the blue button light on the robot flashes in a breathing manner, the robot is in "start/upgrade" state.

4. When the blue button light on the robot remains on, the robot is in "idle/standby/cleaning/pause" state.

5. When the yellow button light on the robot continuously blinks slowly, the robot is in "recharge" state.

6. When the white button light on the robot flashes in a breathing manner, the robot is in "charging" state.

7. When the red button light on the robot continuously blinks fast, the robot is in "fault/troubleshooting" state.

8. When the blue light on the charging dock comes on, the charging dock is in power-on working state.

5. Network configuration & firmware upgrade

Scan the QR code on the robot to download the App; reset WiFi according to instructions in the App. Refer to the Quick Guide for details.

With the App, you can directly query and update the device firmware. During upgrade, ensure that the device is in charging state and that the battery level is no less than 60%. For update steps, please see the guide provided in the App.

*After successful download, carry out network configuration according to the prompts in the App. When the robot is connected to the Internet, you can use the App to remotely start cleaning, schedule cleaning and realize other functions.

*The robot does not support WiFi networks at 5.8G frequency band.

*App unbinding: Press the Recharge Button for 5s and release it when a sound is heard; then press the Recharge Button again for 5s, and the voice prompt "Initialization starts / Initialization successful" will be heard.

Operation Instructions

Pause

When the robot is in operation, press any button to pause; press “⏸” to continue cleaning; press “⏪” to return to the charging dock and end the current cleaning task.

Sleep

If no operation is performed within 5min, the robot will automatically enter sleep state. In this state, you can wake up the robot by pressing the button or via the App.

- The robot will not enter sleep state while it is being charged on the charging dock.
- The robot will shut down automatically when the sleep time exceeds 12h.

Fault state

In case of any abnormality during operation, the red button light will blink fast and a voice prompt will be heard. For the solution, please see the “Troubleshooting” section.

- If, in fault state, no operation is performed within 5min, the robot will enter sleep state automatically.

Cleaning preference

With the App installed on the mobile phone, you can select a mode among ECO, Standard and Strong; the default is Standard mode.

Do Not Disturb (DND) mode

In the DND period, the robot will not respond to Resume Cleaning, Scheduled Cleaning or give voice prompts. The DND mode is enabled during 22:00-07:00 by default, and can be disabled via the App on the mobile phone.

Resume Cleaning mode

The robot resumes where it left off. If the battery runs out during cleaning, the robot will automatically return to the charging dock to charge itself. After it is fully charged, it will resume where it previously stops (if cleaning is manually ended during charging, the robot will cancel the resume cleaning task).

User defined area

With the App, you can define the areas to be cleaned, and the robot will clean these areas.

Clean designated area

With the App, you can designate a target position on the map. The robot will automatically plan the route to the designated position and start cleaning in 2*2 square areas.

Scheduled cleaning

With the App, you can schedule the cleaning. The robot will start cleaning at the designated time, and automatically return to the charging dock after cleaning.

Virtual walls

With the App, you can set Virtual Walls to prevent the robot from entering areas that do not require cleaning.

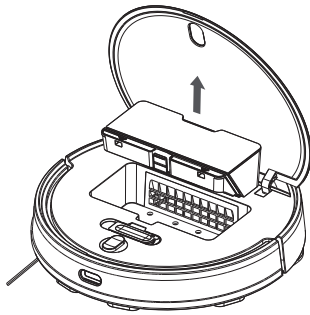
Map memorization

If Memorize Map is enabled in the App, the robot will save the updated map and virtual walls after cleaning and successful recharging.

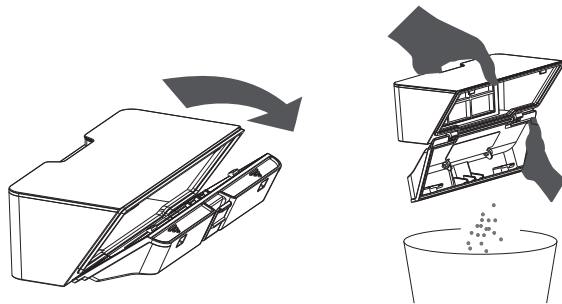
Routine Maintenance

Dustbin

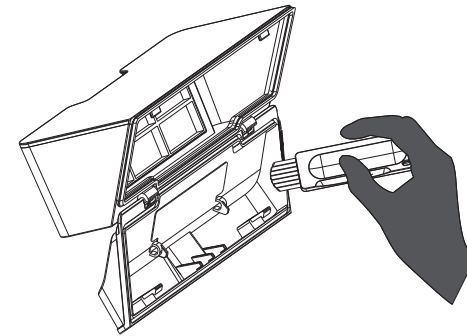
1. Open the top cover to take out the dustbin, as shown in the figure.



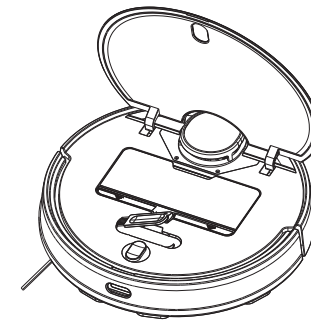
2. Open the HEPA component ; take it out and empty it.



3. Use the cleaning brush to clean the dustbin , and put back the HEPA component.



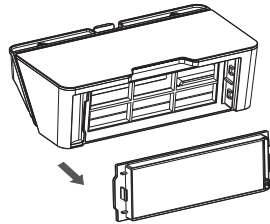
4. Reinstall the dustbin close the top cover.



Routine Maintenance

HEPA Component

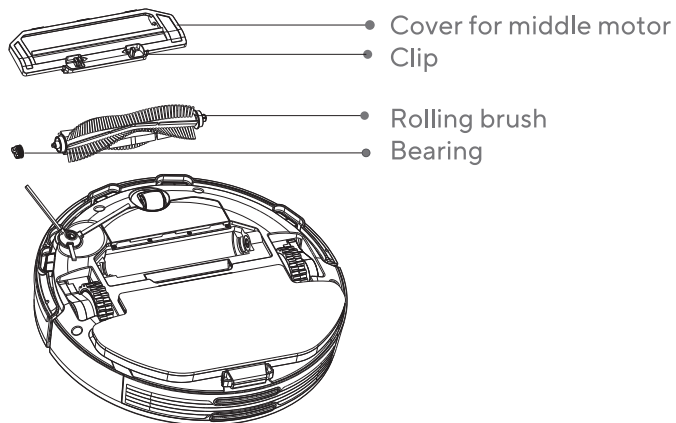
Follow the figure to remove the HEPA component and clean it.



Rolling Brush

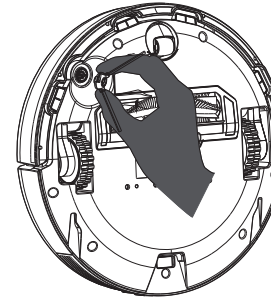
1. Turn over the lower clip to remove the cover for the middle motor;
2. Take out the rolling brush and clean the bearing;
3. Clean the rolling brush;
4. Reinstall the rolling brush and fasten the clip of the cover.

Note: Replace the rolling brush every 6-12 months to ensure the cleaning effect.



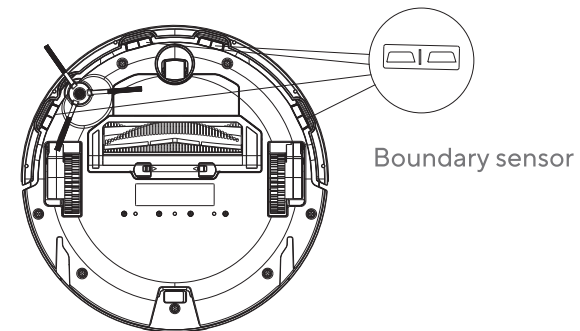
Side Brush

Remove and clean the side brush regularly.



Boundary Sensor

Clean the boundary sensor with soft cloth regularly.



- Replace the HEPA component every three months ;
- Clean the HEPA component with cleaning brush regularly to avoid blockage;
- Replace the side brush every three months to ensure the cleaning effect.

Basic Parameters

Robot

Name	Parameter
Over dimensions	Φ350mmx94.5mm
Product weight	Approx. 3.27kg
Rated voltage	14.8V $\overline{---$
Rated power	33W
Battery capacity	3200mAh

Charging Dock

Over dimensions	153.9mmx74.6mmx99.5mm
Rated power	24W
Rated input	20V $\overline{---$ 1.2A
Rated output	20V $\overline{---$ 1.2A
Rated frequency	50/60Hz

Names and Contents of Hazardous Substances in the Product

Part name	Hazardous substances					
	Pb	Hg	Cd	Cr(VI)	Pbb	Pbde
Metals	X	○	○	○	○	○
Printed circuit boards	○	○	○	○	○	○
Plastics	○	○	○	○	○	○
Standard parts (screw, washer, etc.)	○	○	○	○	○	○
Other metal structural parts (motor, decorative part*, etc.)	○	○	○	○	○	○

Note 1: "○" indicates that the percentage content of the restricted substance does not exceed the percentage of reference value of presence.

Note 2: The "X" indicates that the restricted substance corresponds to the exemption.

Long-term use of the product will not cause harm to human health, so you may rest assured.



Marking for the restriction of the use of hazardous substances

Troubleshooting

Fault prompt	Solution
Abnormality 1: Please confirm that the laser radar is not blocked.	Check or clear foreign objects around the laser radar, or move the robot to a new position and restart it.
Abnormality 2: Please wipe the boundary sensor and move the robot to a new position for restart.	Wipe the boundary sensor and retry (for the sensor position, please consult the Instruction Manual).
Abnormality 3: Intense magnetic field is detected. Please move to a new position and retry.	Move the robot to a new position and retry.
Abnormality 4: Please check and clear up foreign objects on the collision sensor.	Press the collision strip, clear foreign objects and restart.
Abnormality 5: Robot temperature is abnormal. Please wait until the temperature becomes normal.	The robot temperature is too high or too low. Wait until the temperature becomes normal before reuse.
Abnormality 6: Charging is abnormal. Please clear up the charging contact area.	Check whether the power adapter used is the one originally supplied with the product, and whether the charging dock is placed horizontally. Turn off the robot cut off power supply to the charging dock, wipe the metal contacts.

Common Problems

Problem	Solution
Power-on failure	The battery level is too low; connect the robot to the charging dock for charging. The ambient temperature is too low (<0 °C) or too high (>50 °C).
Fail to start cleaning	The battery level is too low; connect the robot to the charging dock for charging.
Recharging failure	There are too many obstacles near the charging dock; place the charging dock in an area free of obstacles. The robot is too distant from the charging dock; place the robot near the charging dock and retry.
Abnormal actions	Shut down and restart the robot.
Abnormal sound during cleaning	The rolling brush, side brush or left/right wheel may be entangled with foreign objects ; stop the robot and clear them up.
Degradation of cleaning capacity or dust come-off	The dustbin is full; clear up the dustbin. The HEPA component is blocked; clear it up. The rolling brush is entangled with foreign objects; clear up the main brush.
Fail to connect to Wi-Fi	Wi-Fi signal is weak; ensure that the robot is in an area with good Wi-Fi signal Wi-Fi connection is abnormal; reset Wi-Fi and download the latest App then try again.
Resume cleaning failure	Confirm that the robot is not in DND mode since it will not continue cleaning in this mode. The robot will not continue cleaning when it is manually brought to the charging dock.
Charging failure	Ensure that there is sufficient space around the charging dock, and that the surfaces of the electrodes are free from dust and coverage.
Fail to do scheduled cleaning	Confirm that the device has been connected to the network; otherwise synchronization failure may result and timed cleaning tasks won't be performed.
The robot is always in off-line state	Confirm that the device has been successfully connected to the network and it is always in the range covered by Wi-Fi signal.
Fail to pair the mobile phone with the device	Ensure that the charging dock and the robot are in the area with good Wi-Fi signal ; reset Wi-Fi according to the steps described in the Instruction Manual; then pair again.

Restrictions on Use

- This product only applies to cleaning of house floors , and should not be used in outdoor areas (e .g., balcony), areas other than floors (e.g., sofa), or commercial or industrial environments;
- Do not use the product in environments (e.g., duplex floor, balcony, top of furniture) that are not equipped with guardrails;
- Do not use the product in environments where the temperature is above 40 °C or below 0 °C or where any liquid or slime exists on the floor; Put away all cables in the house prior to use to prevent them from being dragged during running of the robot;
- Put away all fragile objects and sundries (e.g., vase, plastic bag) on the floor , as the robot may get blocked or gently hit obstacles and damage the valuables in the house;
- Never allow any persons with physical, mental or perceptual disorders (including children) to use or operate this product;
- Never allow children to play with the robot ; when the robot is working, keep children and pets away from it;
- Do not place objects , children or pets on the robot whether it is stationary or running;
- Do not use the product to clean any burning objects (e.g., burning cigarette butt);
- Do not use the product to clean shag carpets (it is possible that some dark carpets cannot be cleaned);
- Do not use the product to collect hard or sharp objects (e.g., decoration wastes, glass, iron nails);
- Do not use the laser radar protective cover as a handle to move the device;
- Clean or maintain the robot and charging dock in power-off or idle state;
- Never sprinkle any liquid into the product (the dustbin should be wiped dry before reinstallation);
- Do not place the robot upside down as it may damage the laser radar;
- Use the product according to the Instruction Manual or the Quick Guide. Any loss or injury caused by improper use shall be on user's own account;

Battery and Charging

- Do not use any battery, power adapter or charging dock supplied by a third party.
- Do not use non-rechargeable batteries.
- Never attempt to remove, repair or modify the battery or charging dock.
- Do not place the charging dock near heat sources (e.g., heating radiator).
- Do not use a wet cloth or any liquid to wipe this product.
- Do not dispose of waste batteries at will. It is suggested to hand them over to a professional organization for treatment.
- Transport the product in power-off state in the original packaging box.
- If the product is to be left unused for a long time, please turn off the robot after full charging , and store it in a cool, dry place; recharge it at least once a month to avoid battery damage.

The laser radar of this product complies with the requirements of IEC 60825-1:2014 on the safety of Class 1 laser products ; it will not produce laser radiation harmful to human health.

Warranty Certificate

After-sales warranty (repair, replacement and return) are provided for this product strictly according to the Law of the People's Republic of China on the Protection of Consumer Rights and Interests and the Law of the People's Republic of China on Product Quality . The services cover the following:

Warranty Period

- You may choose to return, replace or repair the product in case of any performance failure not caused by man-made reasons within 7 days from the date of purchase;
- You may choose to replace or repair the product in case of any performance failure not caused by man-made reasons within 15 days from the date of purchase;
- We will provide maintenance services free of charge for any performance failure not caused by man made reasons within the warranty period.

Non-warranty Regulations

The warranty is valid only when the product is used normally. Any man-made damage and the following situations are not covered by the warranty:

1. The product gets damaged due to user's negligence, fault, misuse or disaster (e.g., adherence of food or liquid, water ingress , crack due to external force, scratches and damage of peripheral components);
2. User has disassembled the device, or repaired or modified the device without authorization by the manufacturer (e.g., damage caused by change of color use of additional part, or unauthorized modification);
3. The product gets damaged due to connection with any improper accessory or as a result of transport or other accidents;
4. The Warranty Certificate is absent (expect that user can prove the product is within the warranty period) , or the warranty period has expired;
5. The content indicated in the Warranty Certificate is inconsistent with the actual product or has been altered;
6. The product gets damaged due to force majeure factors.

Warranty Card

Show This Card before Service

Model		
Warranty Period	Robot	(DD/MM/YYYY)
User Name	Name Address	
Store	Name Address	Seal

Warranty Period

Items	Warranty Period
Robot	1 year
Battery	6 months
Charging dock, power adapter	6 months
Consumables: side brush, cleaning tool	Not covered

Thanks for purchasing our "WYZE" series smart cleaning robot! In order to guarantee your rights and interests, "WYZE" Customer Service hereby promises you standard services and is always ready to serve you whenever you need.

1. Please keep your Warranty Card properly;
2. When the product you purchased needs service, please complete the warranty information table and make sure your handwriting is clear and legible;
3. To enjoy our after-sales services, please present your Warranty Card and relevant purchase information. If the product is purchased online, please provide your account on the platform where you purchased the product so that you can enjoy relevant after-sales services;
4. You can send an email to support@wyze.com.

Note: 1. This guarantees basic maintenance services. The warranty period for any promotional product is subject to the actual situation.

Warranty Principles

1. If the product has any quality problem other than those due to man-made damage or unauthorized disassembly or repair, you may have it replaced at the store where you purchased the product within 7 days from the date of purchase;
2. The product is entitled to free service within the warranty period;
3. The following situations will void the warranty, but we can provide charged services for which the accessory and labor costs will be on your own account.
 - A. Man-made damage, including damage caused by use in abnormal operating environments or without observing the Instruction Manual;
 - B. User's unauthorized disassembly, repair or modification of the product, or repair by a person not from our service department;
 - C. Damage caused by force majeure events (e.g., fire, earthquake, lightning stroke);
 - D. Absence of the Warranty Card or any valid certificate of purchase, and no other means to verify user's information;
 - E. Failure to check and verify the date of purchase.

FCC Caution: Any changes or modifications not expressly approved by the party responsible for compliance could void the user's authority to operate this equipment.

This device complies with part 15 of the FCC Rules. Operation is subject to the following two conditions: (1) this device may not cause harmful interference, and (2) this device must accept any interference received, including interference that may cause undesired operation.

This device and its antenna(s) must not be co-located or operating in conjunction with any other antenna or transmitter.

NOTE: This equipment has been tested and found to comply with the limits for a Class B digital device, pursuant to Part 15 of the FCC Rules. These limits are designed to provide reasonable protection against harmful interference in a residential installation. This equipment generates, uses and can radiate radio frequency energy and, if not installed and used in accordance with the instructions, may cause harmful interference to radio communications. However, there is no guarantee that interference will not occur in a particular installation.

If this equipment does cause harmful interference to radio or television reception,

which can be determined by turning the equipment off and on, the user is encouraged to try to correct the interference by one or more of the following measures:

- Reorient or relocate the receiving antenna.
- Increase the separation between the equipment and receiver.
- Connect the equipment into an outlet on a circuit different from that to which the receiver is connected.
- Consult the dealer or an experienced radio/TV technician for help.

To maintain compliance with FCC's RF Exposure guidelines, This equipment should be installed and operated with minimum distance between 20cm the radiator your body: Use only the supplied antenna.

EN

This device contains licence-exempt transmitter(s)/receiver(s) that comply with Innovation, Science and Economic Development Canada's licence-exempt RSS(s). Operation is subject to the following two conditions:

1. This device may not cause interference.
2. This device must accept any interference, including interference that may cause undesired operation of the device.

FR

L'émetteur/récepteur exempt de licence contenu dans le présent appareil est conforme aux CNR d'Innovation, Sciences et Développement économique Canada applicables aux appareils radio exempts de licence. L'exploitation est autorisée aux deux conditions suivantes :

1. L'appareil ne doit pas produire de brouillage;
2. L'appareil doit accepter tout brouillage radioélectrique subi, même si le brouillage est susceptible d'en compromettre le fonctionnement.

WYZE™

WYZE LABS, INC.

4030 Lake Washington Boulevard NE
#200, Kirkland, WA, 98033

www.wyze.com