



21.3 Outdoor Access Point mounting onto the Pole

To mount the device on a pole, an extra clamping bracket is needed along with the mounting bracket. Follow the steps given below and mount the device on pole:

1. Attach the mounting bracket to the back side of the Access Point as shown in “Figure 79: Mounting bracket alignment with the 4x4 outdoor AP”.
2. Firmly place the mounting bracket on the pole (make sure there is no movement) and attach the clamping bracket with M5-expansion bolts.

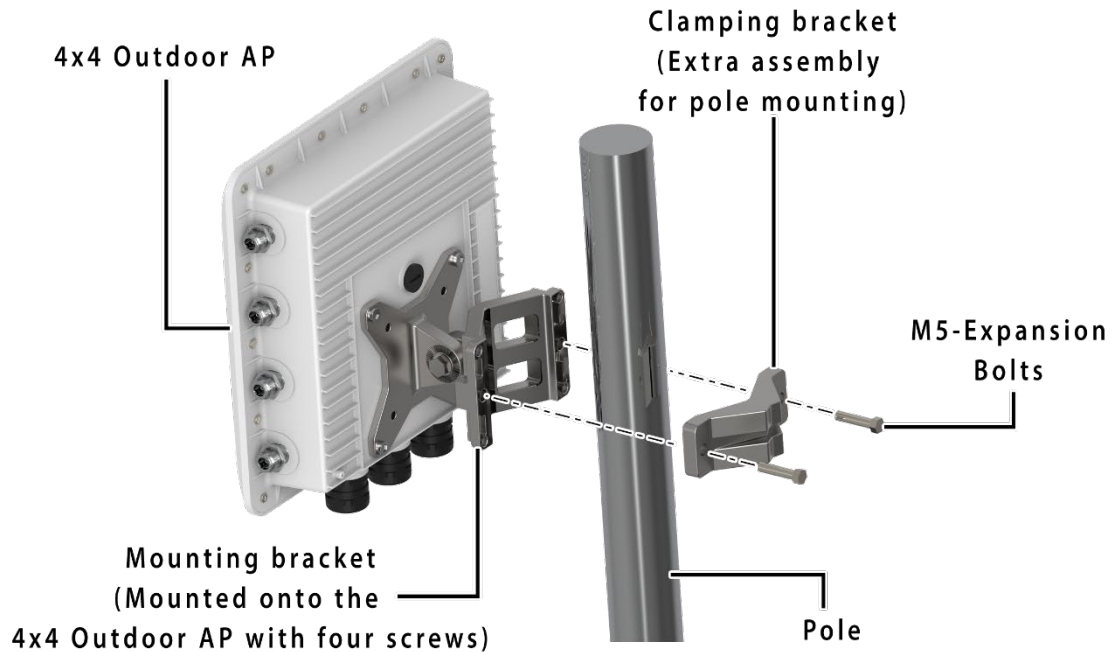


Figure 81: Overview of the 4x4 outdoor AP with pole and clamping bracket



3. The final alignment of 4x4 outdoor AP in a pole mounting is shown in the figure below:

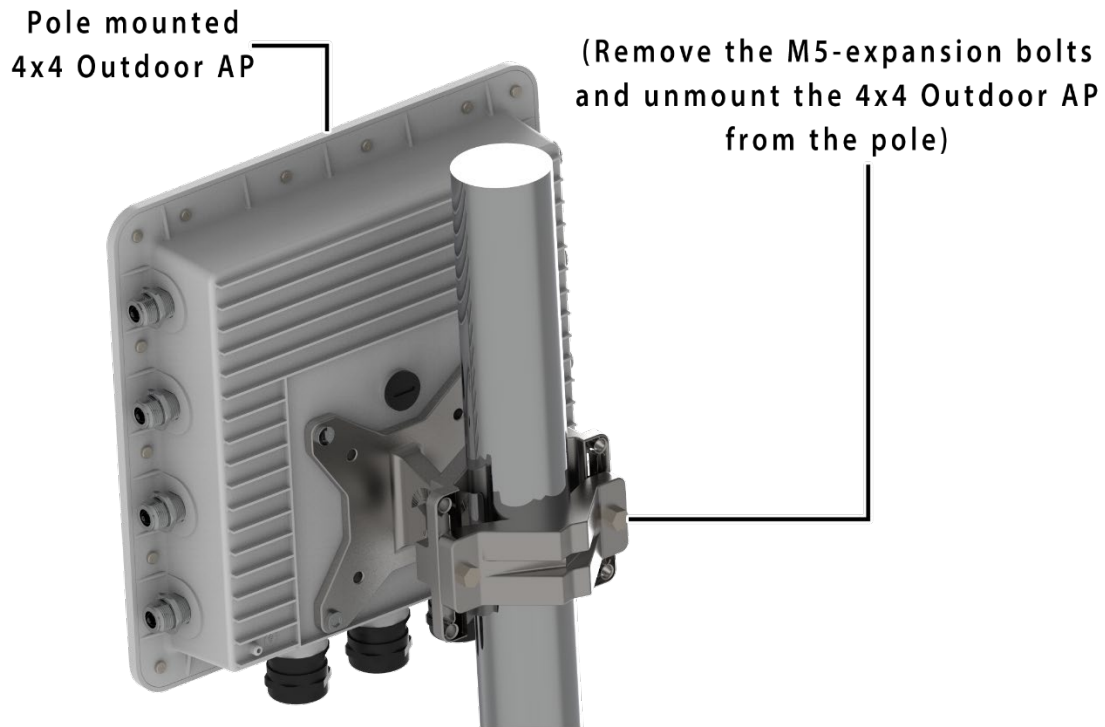


Figure 82: Basic overview of pole mounted 4x4 outdoor AP



21.4 Outdoor Access Point mounting onto the Wall

To mount the device onto the wall, M5-expansion bolts and foundation bolts are needed along with the mounting bracket. Refer the image given below:

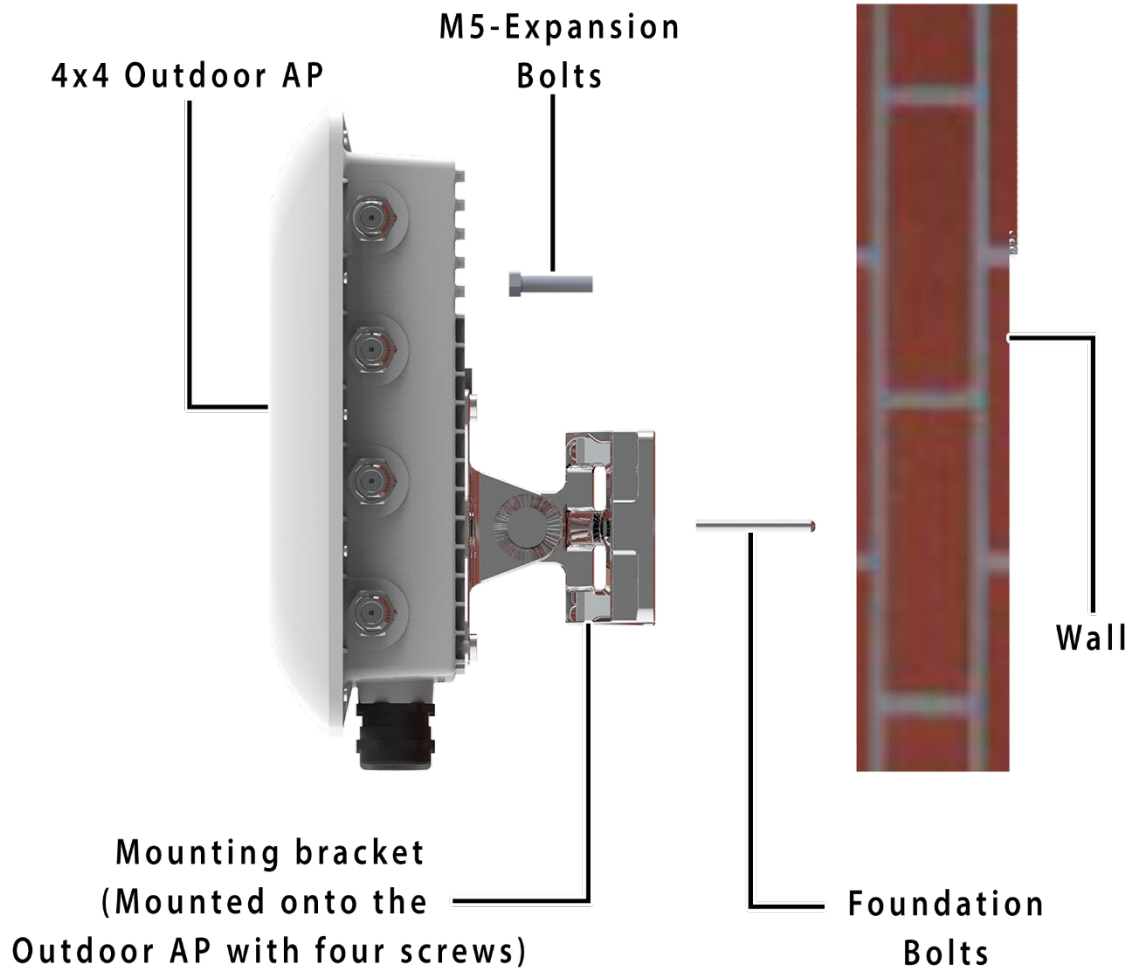


Figure 83: Items needed for mounting the device to wall

Follow the steps given below and mount the device onto the wall:

1. Attach the mounting bracket to the back side of the AP device as shown in “Figure 79: Mounting bracket alignment with the 4x4 outdoor AP”.
2. Take the reference from the printed sheet provided along with the mounting bracket and mark the position of the holes on the wall.
3. Use the drill machine to drill 2 holes with a drill tool on respective marked positions.



4. Push the foundation bolt into the drilled holes with a hammer. Refer the image shown below:

(Align both M5-expansion bolts with the holes of mounting bracket)

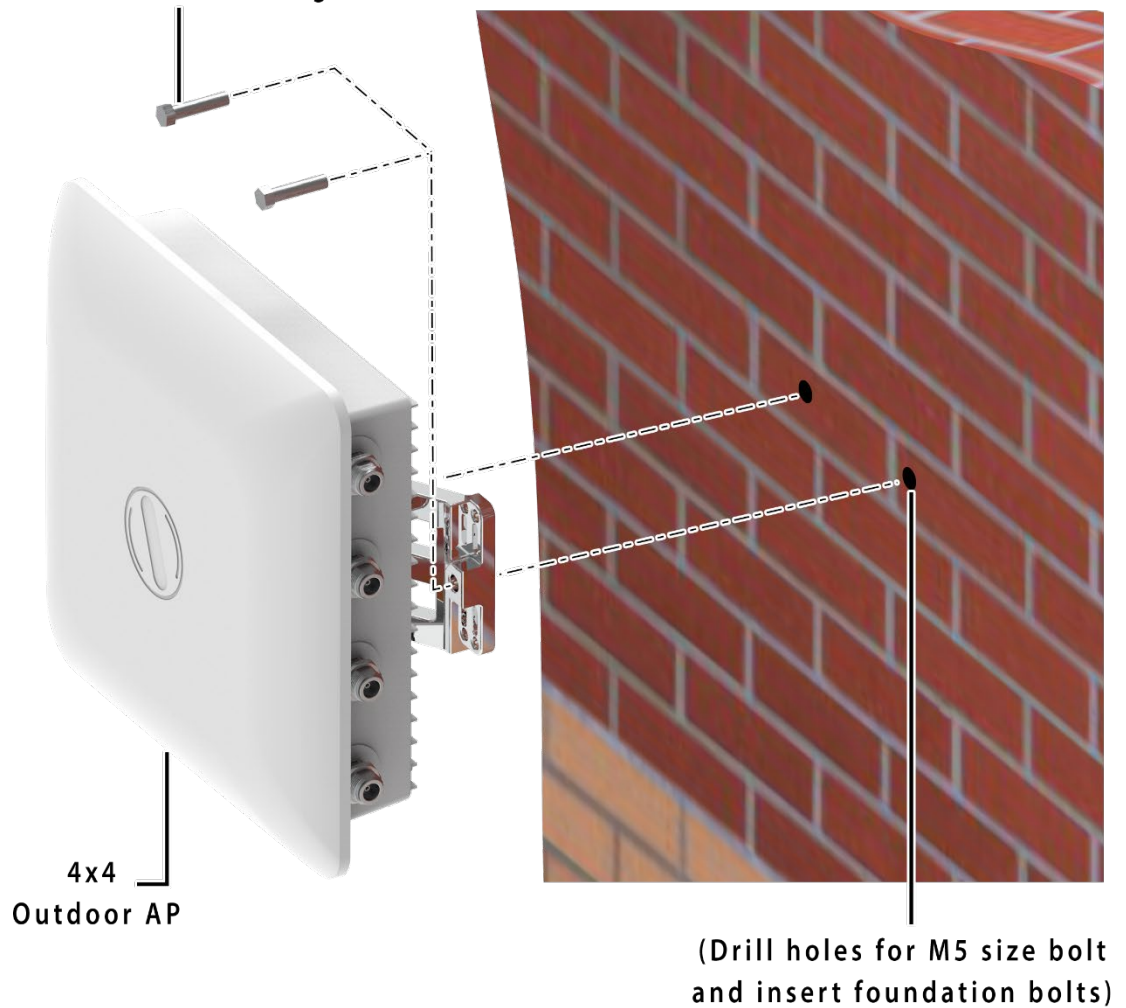


Figure 84: Hammer foundation bolts into the wall

5. Align the drilled holes with the holes of mounting bracket.



6. Insert M5-expansion bolts through the holes of mounting bracket into the foundation bolts as shown below:

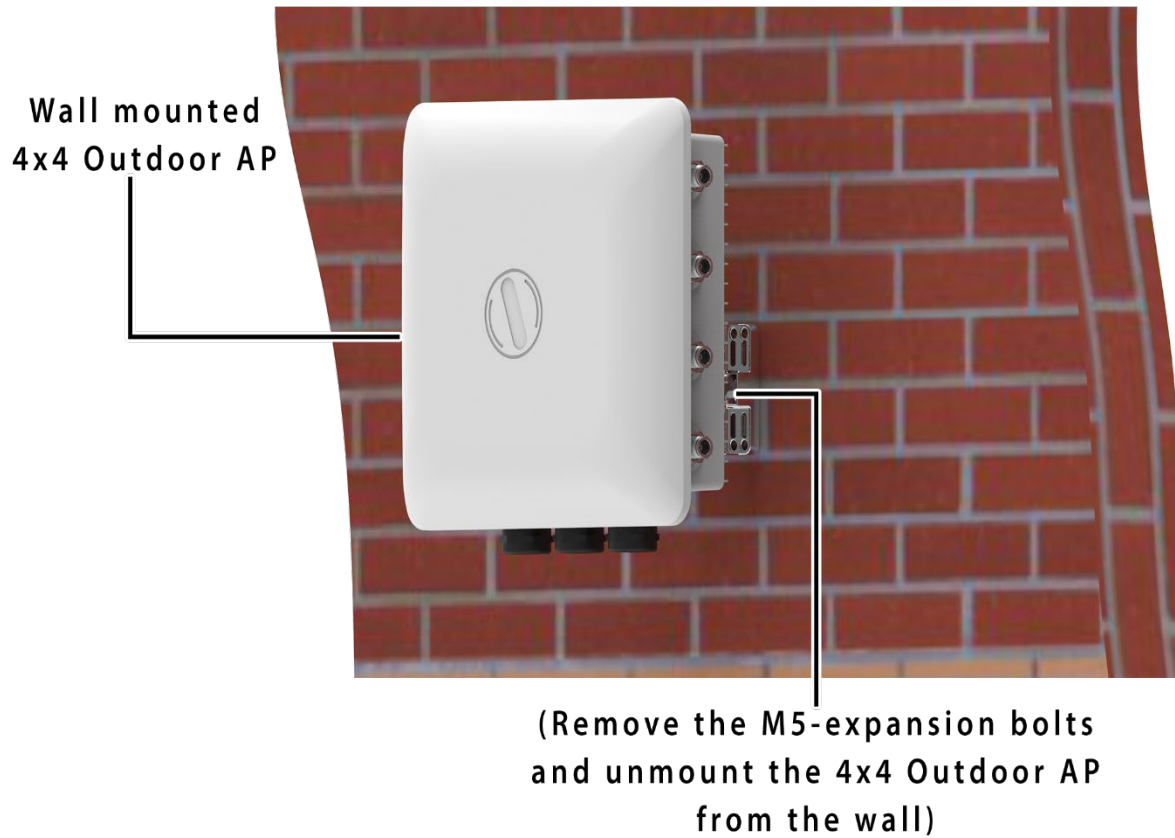


Figure 85: Basic overview of wall mounted 4x4 outdoor AP

7. The AP device is mounted on the wall.



21.5 Grounding of AP

The AP should be properly grounded upon installation. The IO's 4x4 AP has a grounding position at the back side of the device as shown below:

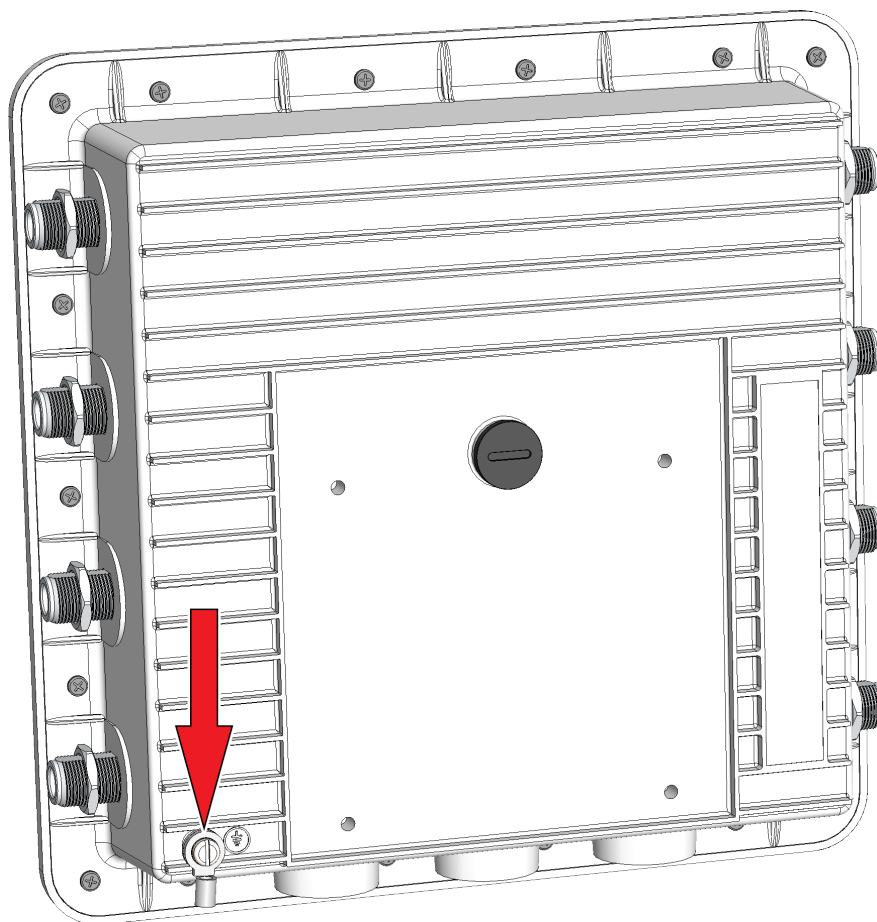


Figure 86: Grounding point of AP

A grounding strap can be made from the ring lug terminal of M4 size and a medium length copper wire of suggested gauge AWG-6 (4.1 mm).

Insert the grounding wire and flush it till the end of the terminal. Use the crimp tool and reshape or compress the terminal. Use an M4x10 machine screw and attach the crimped lug with AP.



22 Use Cases

A. Indoor Access Point

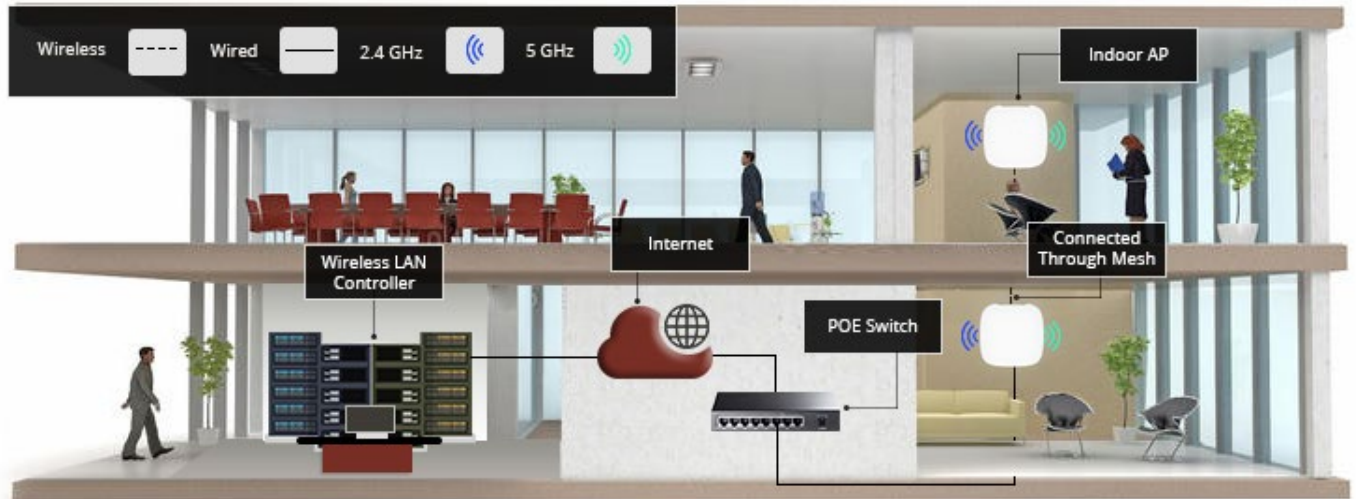


Figure 87: Use Case Diagram of Indoor AP

B. Outdoor Access Point

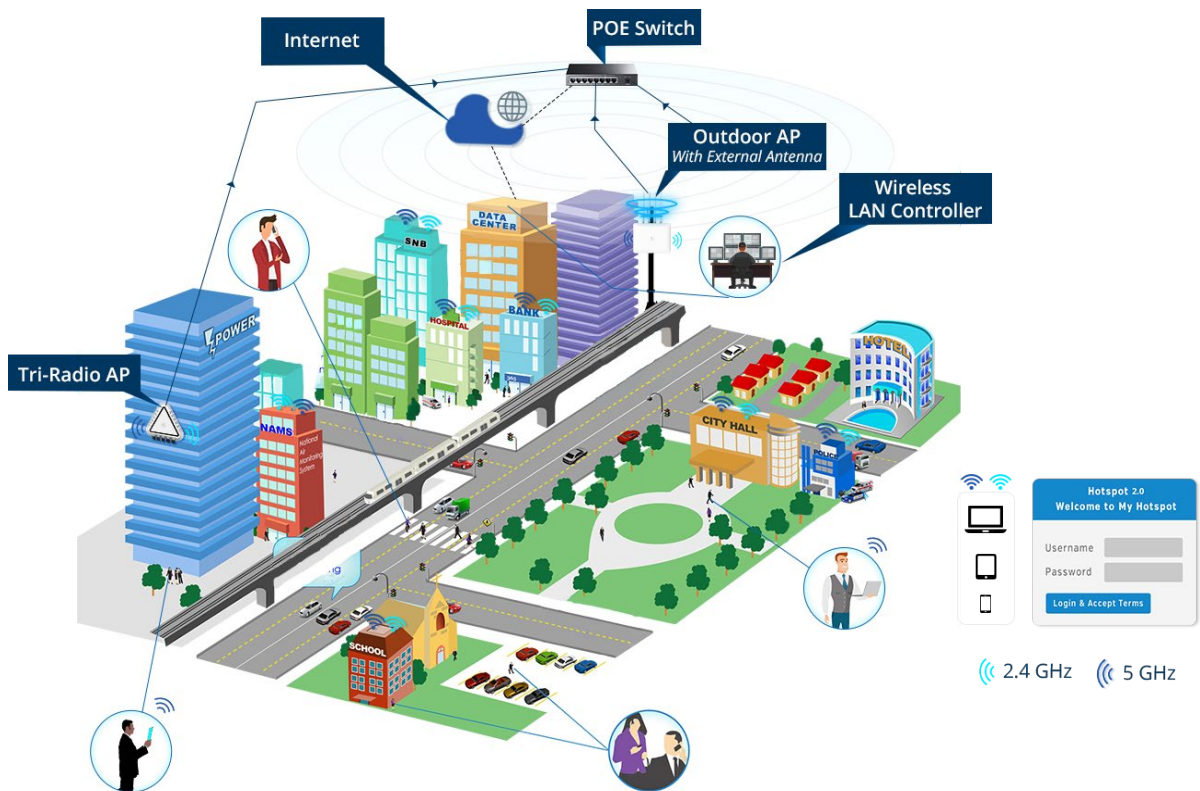


Figure 88: Use Case Diagram of Outdoor AP