

### 17.1 2x2 UBR mounting to the Pole

Follow the steps given below and mount the device onto the pole:

1. Align the bracket mounted UBR device with pole holder and U-bolt as shown below:

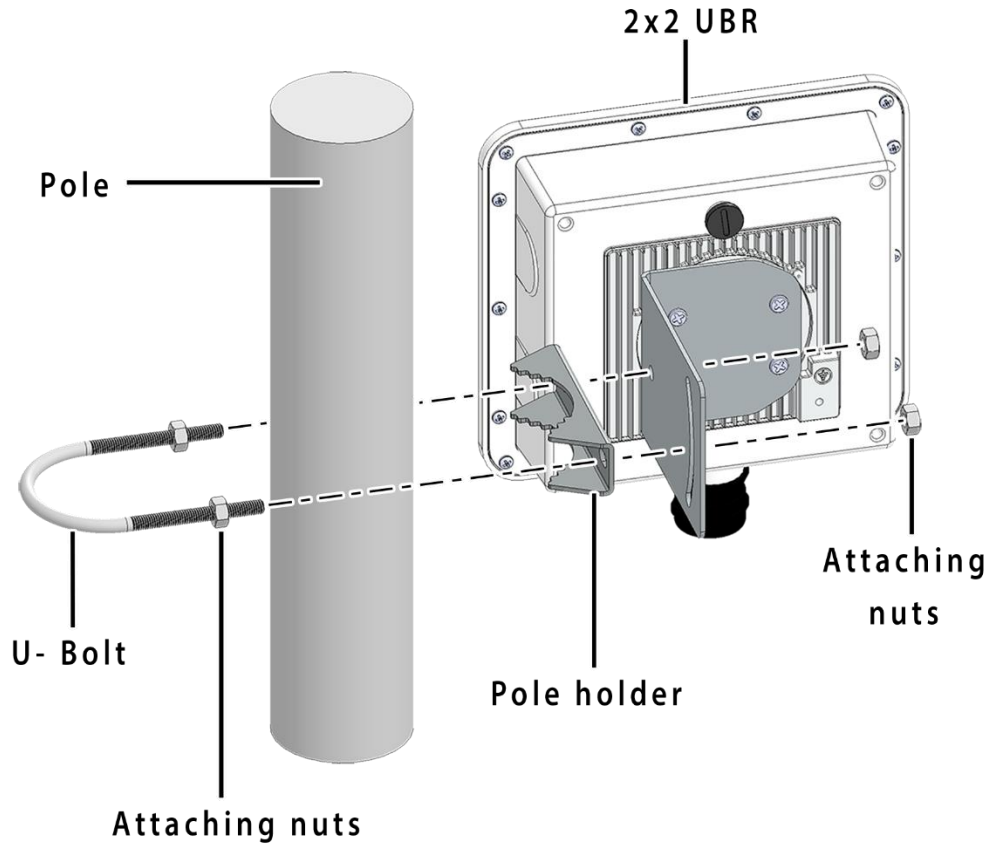


Figure 69: Overview of the 2x2 UBR device with pole and mounting bracket attaching parts

2. Pass the U-bolt through the cuts of pole holder and mounting bracket. Tighten it in place with attaching nuts.

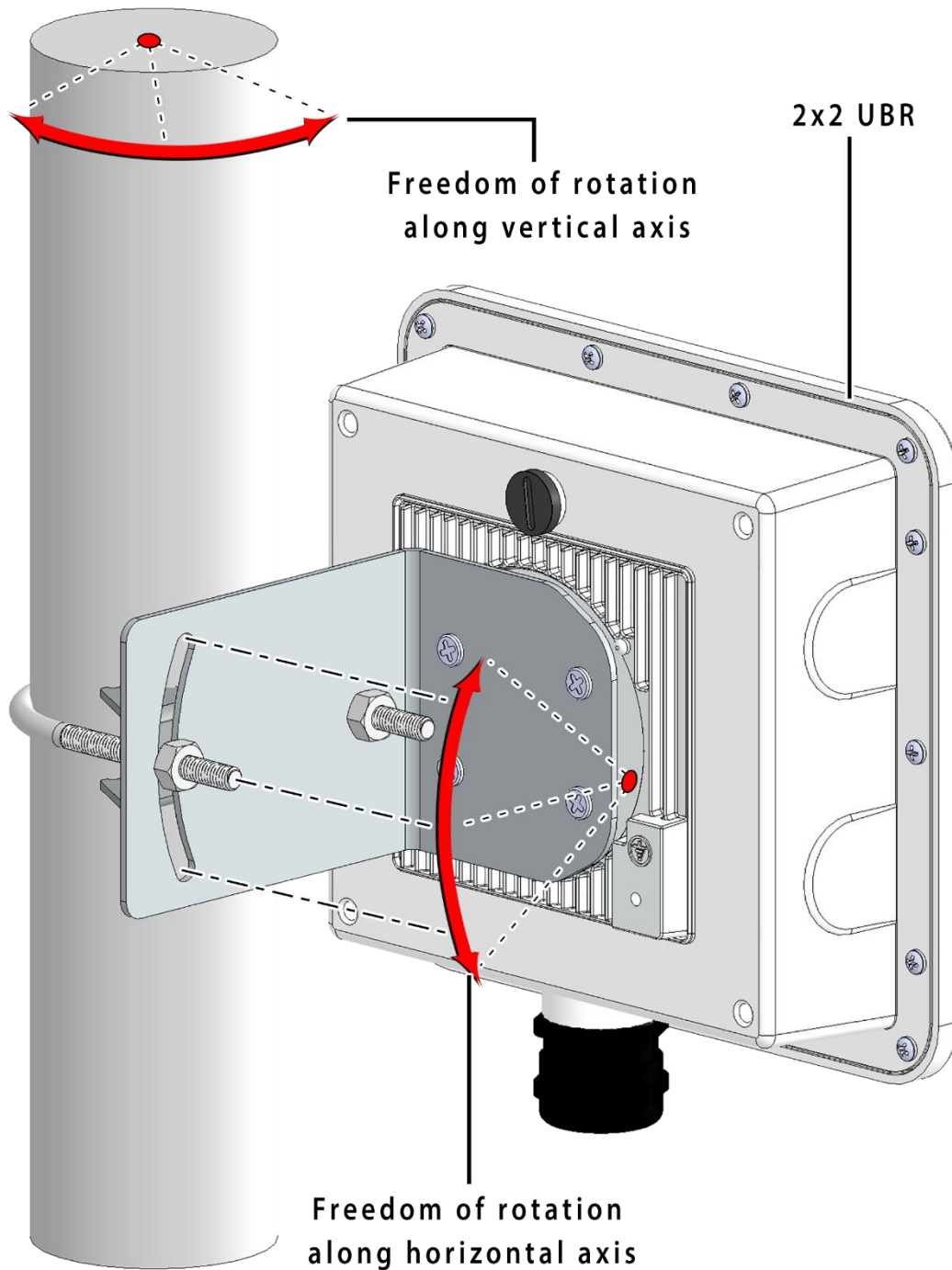


Figure 70: Final alignment of 2x2 UBR and mounting bracket

3. As shown above, the 2x2 UBR device has the freedom of movement along the vertical and horizontal axis.

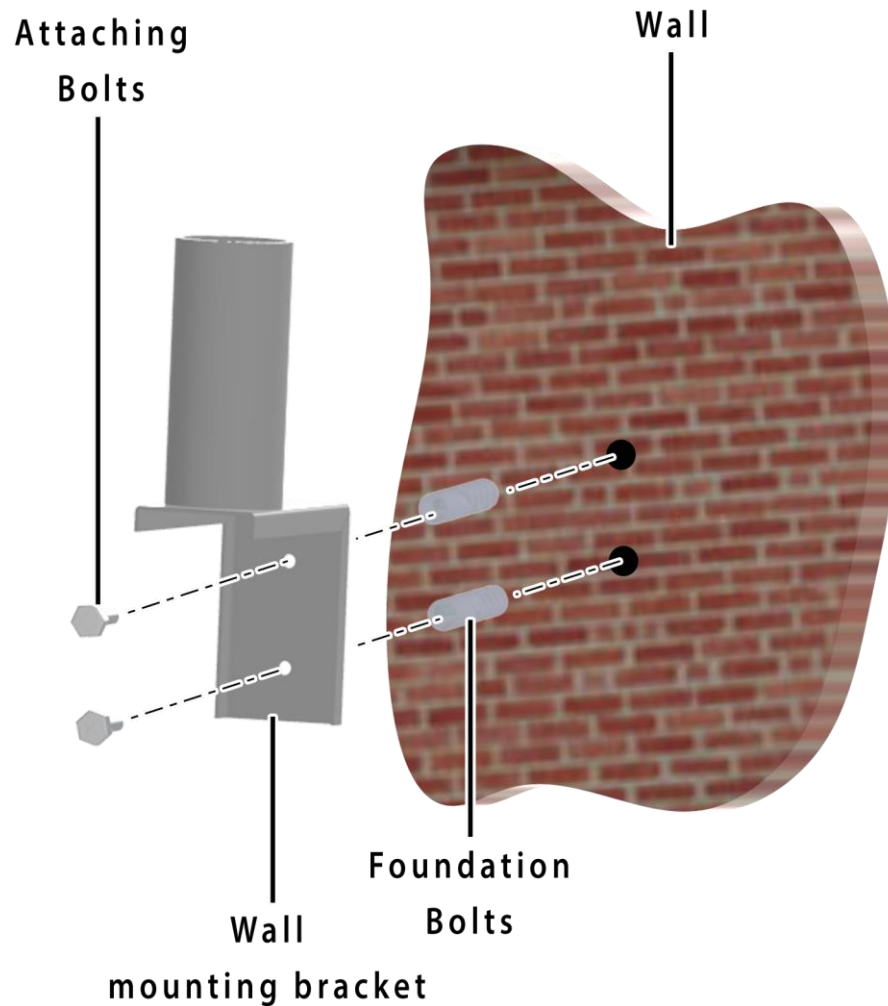
4. The final alignment of 2x2 UBR in a pole mounting is shown in the figure below:



*Figure 71: Basic overview of pole mounted 2x2 UBR device*

## 17.2 2x2 UBR mounting to the Wall

To mount the device onto the wall, foundation bolts and attaching bolts are needed along with the wall mounting bracket. Refer the image given below:



*Figure 72: Items needed for wall mounting of the device*

Follow the steps given below and mount the device onto the wall:

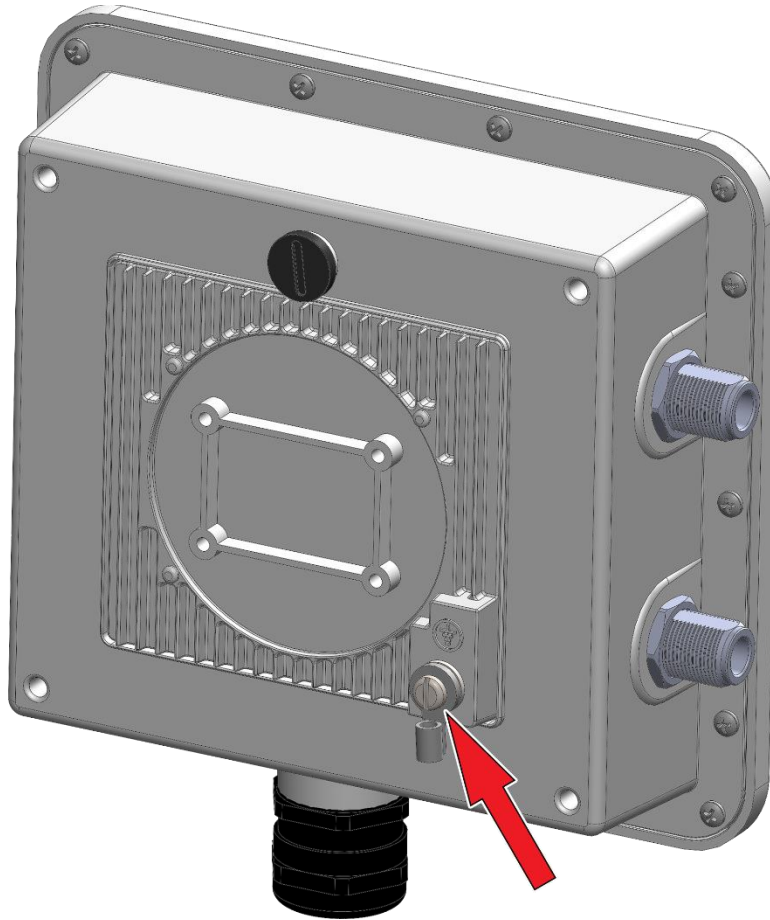
1. Take the reference from the printed sheet provided along with the wall mounting bracket and mark the position of the holes on the wall.
2. Use the drill machine to drill 2 holes with a 6mm drill tool on respective marked positions.
3. Push the foundation bolts into the holes with a hammer.
4. Align the drilled holes with the holes of wall mounting bracket.
5. Insert the attaching bolts through the holes of mounting bracket into the wall.
6. Wall mounting bracket is fixed to the wall.
7. Mount the device on to the wall mounting bracket as discussed in pole mounting process.



*Figure 73: Basic overview of wall mounted 2x2 UBR device*

### 17.3 Grounding of UBR

The UBR should be properly grounded upon installation. The IO's UBR has a grounding position at the back side of the device as shown below:



*Figure 74: Grounding point of UBR*

1. A grounding strap can be made from the ring lug terminal of M4 size and a medium length copper wire of suggested gauge AWG-6 (4.1 mm).
2. Insert the grounding wire and flush it till the end of the terminal. Use the crimp tool and reshape or compress the term

## 18 Use Cases

### A. Enterprise Grade Point-to-Multipoint Solution

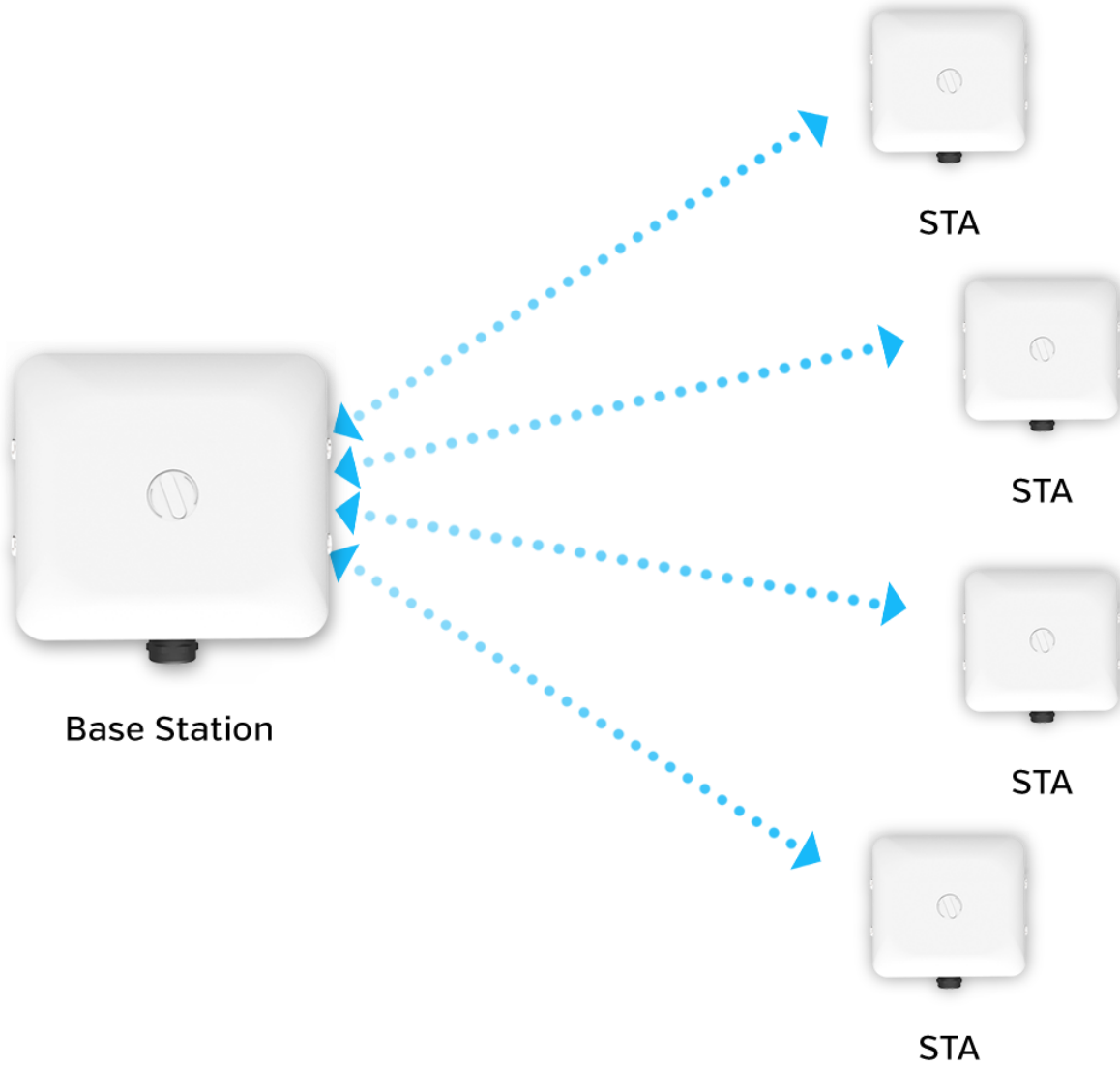
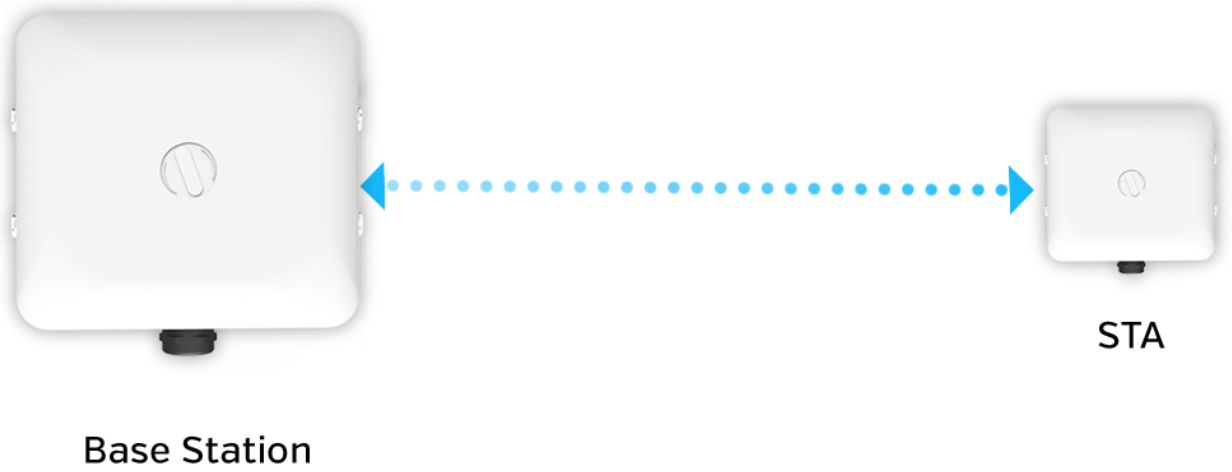


Figure 75: Use Case Diagram of Enterprise Grade Point-to-Multipoint Solution

## B. Enterprise Grade Point-to-Point Solution



*Figure 76: Use Case Diagram of Enterprise Grade Point-to-Point Solution*