

## 21 Installation Setup

IO Indoor AP can be mounted onto the wall or ceiling. Perform the steps discussed in below sections for the appropriate installation of indoor AP:

### 21.1 Mounting of Dual Band 2x2:2 Indoor Access Point (Wall and Ceiling)

1. Refer the image below for attaching parts required for wall/ceiling mounting of AP:

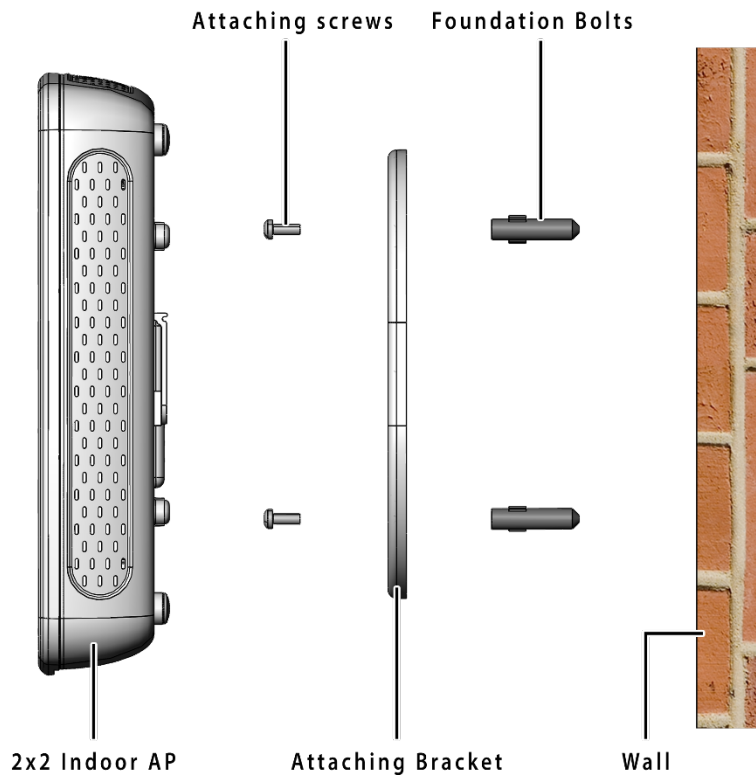


Figure 59: Attaching parts for wall/ceiling mounting of indoor AP

2. Place the attaching bracket on to the wall or ceiling and mark the holes to drill. Drill holes of appropriate size.
3. Insert the foundation bolts in the drilled holes of wall/ceiling.

4. Use the supplied screws and mount the attaching bracket on to the wall or ceiling as shown below:

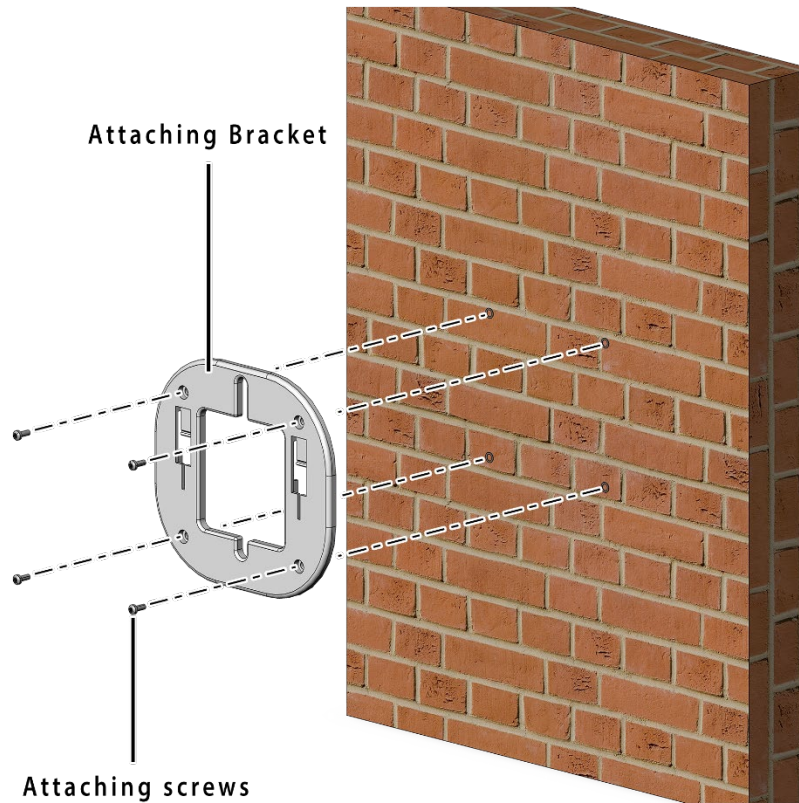


Figure 60: Attaching bracket on to the wall or ceiling for indoor AP

**Note:** Make sure that the attaching bracket is tightly installed before mounting the access point on the wall or ceiling.

5. Refer the image below for wall mounted attaching bracket:

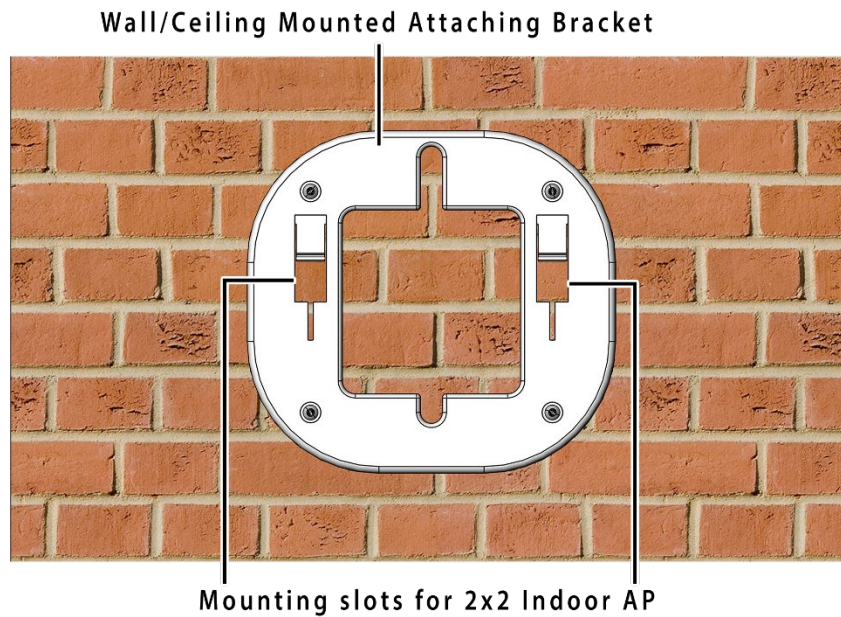


Figure 61: Wall/ceiling mounted attaching bracket

6. Align the mounting slots of indoor AP and attaching bracket as shown below:

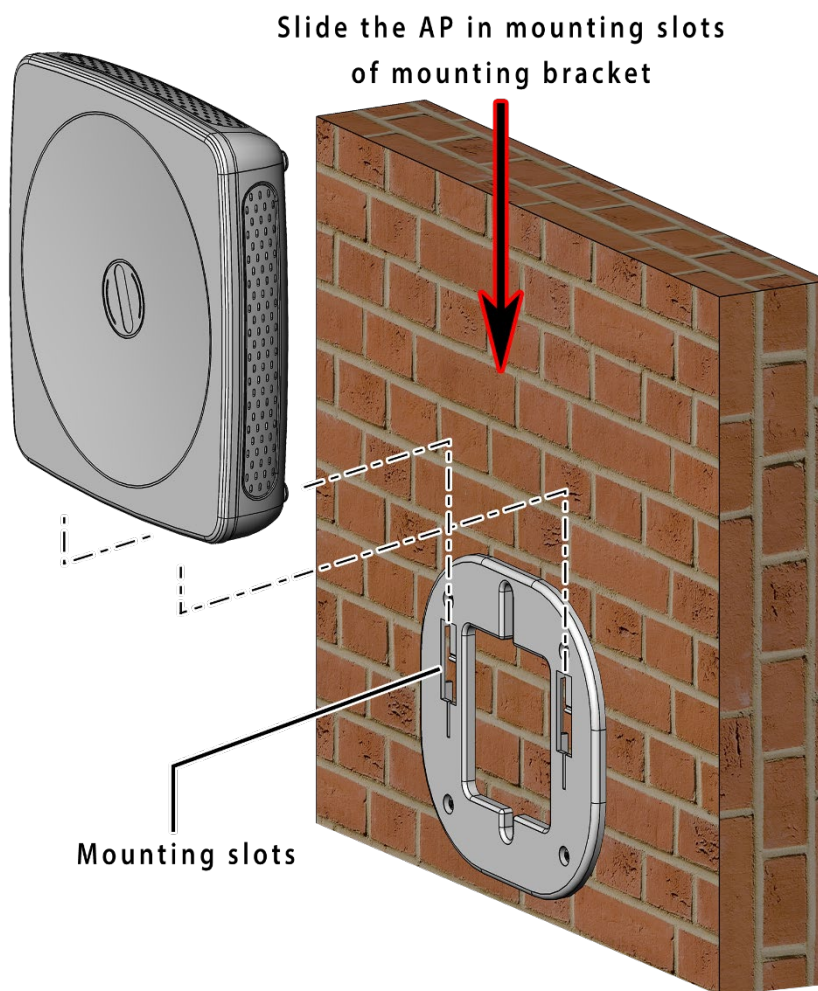


Figure 62: Alignment of mounting bracket with indoor AP

7. Refer the image below for backside view of wall/ceiling mounted AP:

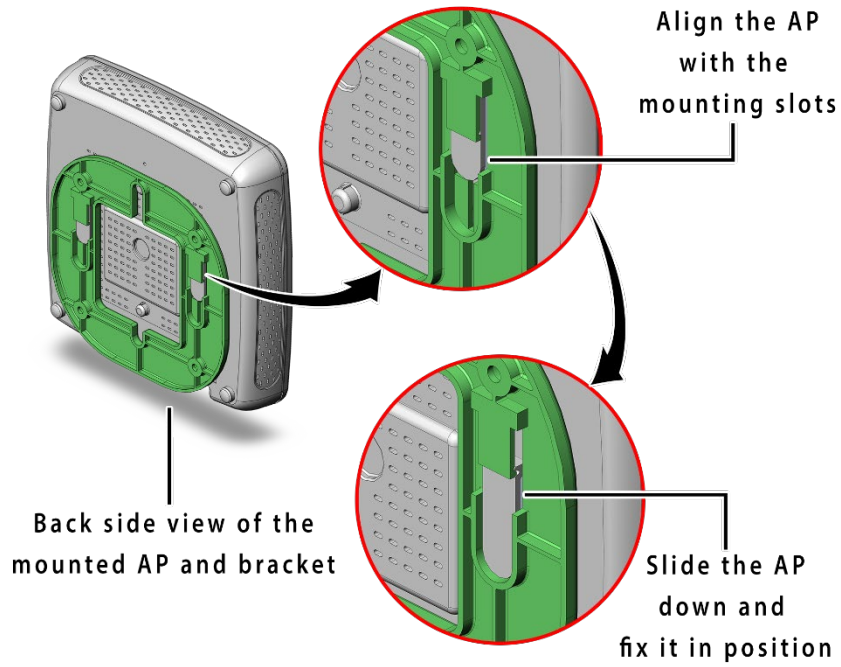


Figure 63: Backside view of attaching bracket with indoor AP

8. The wall or ceiling mounted AP is shown below:

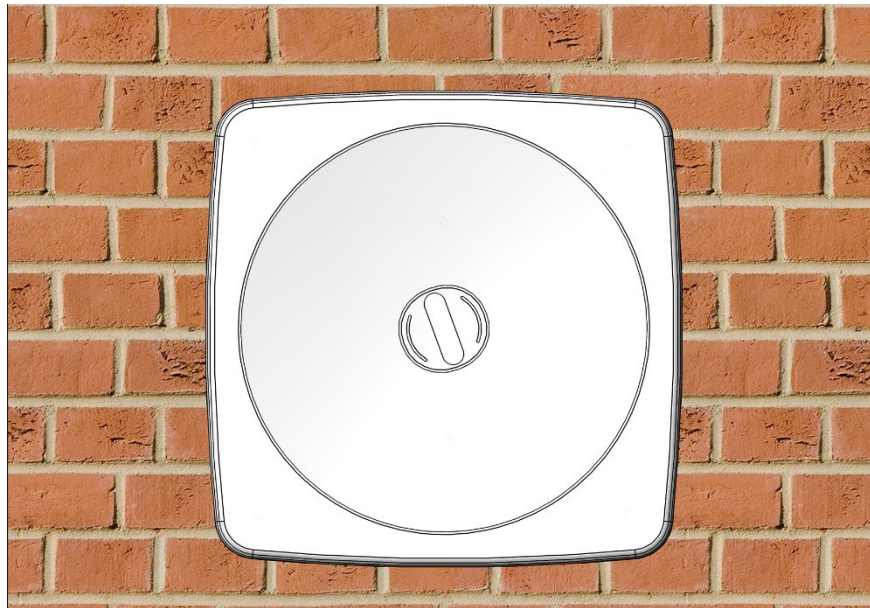


Figure 64: Wall/ceiling mounted indoor AP

9. Slightly push and slide the access point out from the mounting slots of attaching bracket to unmount the AP.



## 22 Use Cases

### A. Indoor Access Point



Figure 65: Use Case Diagram of Indoor AP