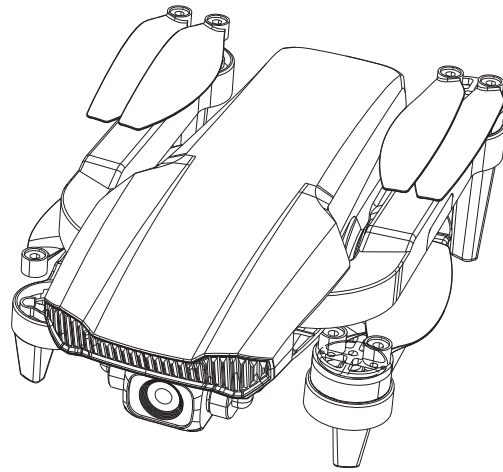


INSTRUCTION



Thank you for your purchase of this product. Please read the Operation Instruction carefully and conduct operation and usage according to the Operation Instruction. Please keep this User Manual for your reference when conducting daily maintenance and adjustment.

Safety instructions

1. Please keep the parts of drone out of the reach of children.
2. This drone is very powerful. When using it for the first time, you should push the left control lever slowly to prevent the drone from rising too fast and causing unnecessary collisions and injuries.
3. When a flight is ended, please turn off the power switch of remote control first and turn off the power switch of the drone then.
4. Do not place the drone battery in high temperature condition or near flammable or explosive materials.
5. Please keep the drone at a distance of 4.5 meters from humans and animals to ensure safety and prevent injury.
6. This drone is suitable for people aged 14 and over, and it should be within the sight of the operator's (coach) to ensure safe flight.
7. Do not charge the battery of remote control if the battery is a non-rechargeable battery. The drone must be used with the original batteries.
8. If the drone will not be used for a long time, please take the batteries out of the remote control unit.
9. Do not cause a short circuit during the charging.
10. If you do not use the drone for more than 10 days, please discharge the battery of drone to 40-50%(flight for a certain time). In this way, the life of battery will be extended greatly.
11. Please keep a safe distance from the rotating propeller to prevent injury.
12. All operators should follow their local regulations pertaining to radio control and drone flights. Please contact your local authorities for the full details on your local laws and regulations.
13. Please assemble the drone under the supervision of an adult.
14. Operators are responsible for their safe flight and safe distance. Do not hover and fly over the crowd (more than 12 people).

FCC Caution:

Any Changes or modifications not expressly approved by the party responsible for compliance could void the user's authority to operate the equipment.

This device complies with part 15 of the FCC Rules. Operation is subject to the following two conditions:

- (1) This device may not cause harmful interference, and (2) this device must accept any interference received, including interference that may cause undesired operation.

IMPORTANT NOTE:

Note: This equipment has been tested and found to comply with the limits for a Class B digital device, pursuant to part 15 of the FCC Rules. These limits are designed to provide reasonable protection against harmful interference in a residential installation. This equipment generates, uses and can radiate radio frequency energy and, if not installed and used in accordance with the instructions, may cause harmful interference to radio communications. However, there is no guarantee that interference will not occur in a particular installation. If this equipment does cause harmful interference to radio or television reception, which can be determined by turning the equipment off and on, the user is encouraged to try to correct the interference by one or more of the following measures:

- Reorient or relocate the receiving antenna.
- Increase the separation between the equipment and receiver.
- Connect the equipment into an outlet on a circuit different from that to which the receiver is connected.
- Consult the dealer or an experienced radio/TV technician for help.

FCC Radiation Exposure Statement:

For DRONE S106:
this equipment complies with FCC radiation exposure limits set forth for an uncontrolled environment. This equipment should be installed and operated with minimum distance 20cm between the radiator & your body.

CATALOG

Know your drone -----2

Drone
Drone Description -----3

Installing the Propellers -----3

Battery Charging Steps
Installing Remote control battery -----4

Remote Control
Functions Instructions -----5

Preparing for flight
Preparing Inspection -----5

Flight environment requirements -----6

Altitude Hold mode -----6

First Using and Return

Take off -----7

One-key Return -----8

Advanced Flight Function

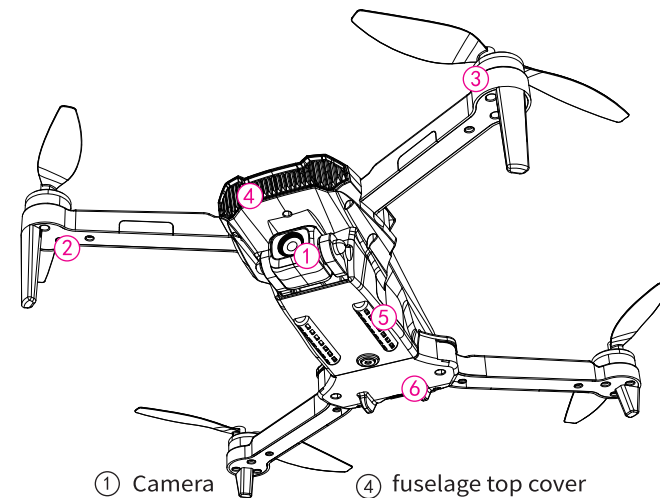
Speed Gear adjustment -----8

Headless mode -----8

Basic Operation -----9

Know your drone

Using the 2.4Ghz frequency it is possible for multiple people to fly multiple drones at the same time with no interference. This drone is operated through the included remote control, via app mode control, or with a combination of the two. For additional flight and drone features we do suggest using the included App for control.



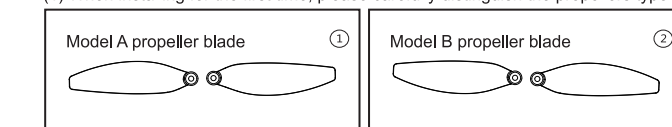
- ① Camera
- ② Motor
- ③ Propeller blades
- ④ fuselage top cover
- ⑤ fuselage down cover
- ⑥ battery

Drone

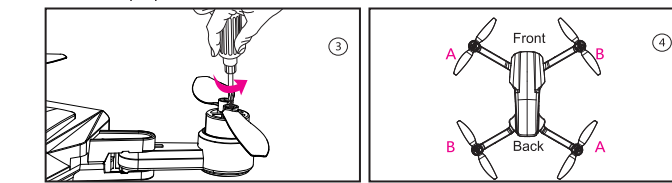
Installing the Propellers

There are extra propellers supplied with the drone in case of damage or defect on the originally installed propellers.

(1) When installing for the first time, please carefully distinguish the propellers type.



(2) Referring to Figure 3, insert the groove of propeller opener into the bottom of propeller which needs to be replaced. And press the handle of the opener to take down the propeller.

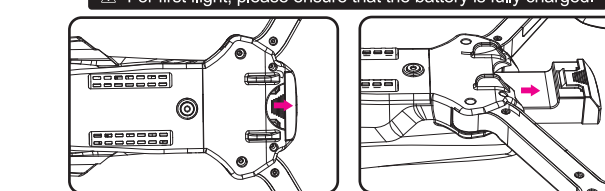


(3) Referring to Figure 4, distinguish between type A and type B propellers, and press the propeller vertically to install them on the motor shaft. The mark can be found on the rotor. It is extremely important to use the correct propeller (A or B) for replacement. Using the incorrect propeller may cause the drone to be uncontrollable.

Battery Charging Steps

3.7 The included battery is a 3.7V Lithium battery, please only use the factory-supplied USB cable to charge the battery.

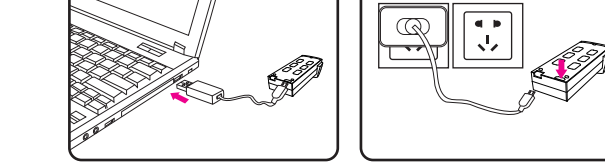
⚠ For first flight, please ensure that the battery is fully charged.



Press down on the secure latch to dislodge the battery.

Pull out of the battery tray completely before charging.

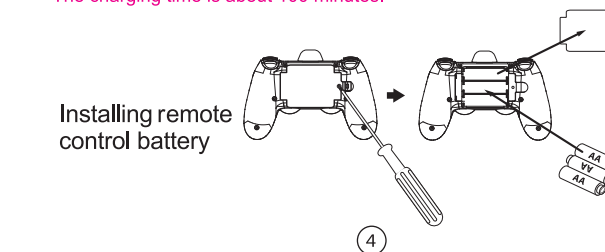
Charging the battery



Connect the USB cable to a power source.

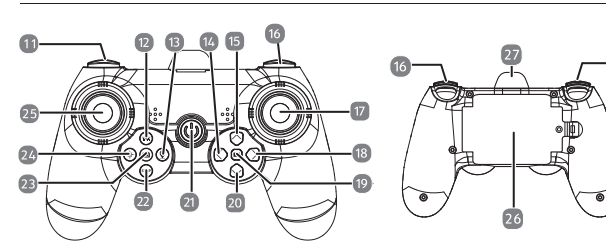
Plug the charging cable into the battery's charging port.

When the battery is charged, the LED of battery is red with flashing. When all 4 red LED lights are on, then the battery is finished charged. The charging time is about 100 minutes.



Remote control

Functions Instructions



- 11 Speed mode button (3 Speed Mode)
- 12 Start and Landing Button
- 13 One key backward
- 14 Roll trim (left)
- 15 Pitch trim (before)
- 16 Flip button (3D Roll)
- 17 Right Stick Pitch/Roll
- 18 Roll trim (right)
- 19 Video recording *
- 20 Pitch trim (back)
- 21 On/off button remote control with LED (red)
- 22 Emergency stop button (stop)
- 23 Photo capture *
- 24 Headless mode
- 25 Left stick elevator/yaw
- 26 Battery compartment remote control
- 27 Holding device (smartphone holder)

Preparing for flight

Flight Preparation:

1. Please inspect the following checklist before flying.
2. Ensure that the drone and remote control are both fully charged
3. Ensure that all Propellers are not damaged and installed properly
4. Ensure that there is no debris that may hinder propellers' spin
5. Ensure that the connection between the drone and remote control/smart device is strong and clear
6. Ensure that the drone's arms are fully open
6. Ensure that the environment is suitable for flying.

Notes: Please check drone's arms are fully open.

Flight environment requirements



Indoor flight: Ensure that there is enough open space with no obstacles with no people or pets.



Outdoor flying : Please choose sunny, windless or breezy weather.



Keep the aircraft within your sight when flying, away from obstacles, high-voltage lines, trees, etc.



Do not fly when there is a strong wind, heavy rain, or inclement weather conditions.

Prepare the quadcopter

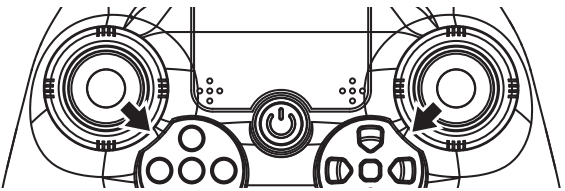


Mounting smart device to the controller:

1. Prepare your Drone for flight
2. Insert your smart device into the holder by pulling the upper end of the holder until your smart device can be slotted in the holder.
3. Check that the smart device is firmly held by gently shaking the controller
4. Remove your smart device from the holder when a flight is completed

Taking off and landing (One key Take Off)

Before each start, place the quadcopter on a flat surface, switch it on and pair the remote control. After pairing, push both joysticks simultaneously to the 5 o'clock (left) and 7 o'clock (right) position to recalibrate the quadcopter. The Position LEDs will briefly flash very quickly followed by a beep to signal calibration is complete. Calibration takes only 1-2 seconds. This calibration is especially necessary after a long period of non-use and falls or collisions. The quadcopter can then be controlled normally again.



1. Press the start/landing button to start the rotors of the quadcopter.
2. Briefly press the left control stick up to bring the quadcopter to approx. 5 feet, it will then maintain this height.
3. Press the takeoff/landing button again to land the quadcopter automatically. During landing, you can use the right stick to steer to land in the right place. After ground contact, the rotors switch off automatically.

steering

Below you will find a description of how to control the quadcopter.
Climb: Push the left stick up. The rotors turn faster and the quadcopter climbs.



Descend: Push the left stick down. The rotors turn more slowly and the quadcopter sinks.



7

FLY LEFT: Push the right stick to the left. The quadcopter tilts slightly to the left and it flies to the left.



Fly right: Push the right stick to the right. The quadcopter tilts slightly to the right and it flies to the right.



Using the quadcopter

A NOTICE!

Danger!

If you perform a maneuver in aerobatic mode, the quadcopter should have a flight altitude of at least 2 meters

Roll Left: Push the right stick to the left. The quadcopter rolls to the left.



Roll Right: Push the right stick to the right. The quadcopter rolls to the right.



8

USE WITH SMART DEVICE (NOT INCLUDED)

1. TO INSTALL THE APP IN YOUR SMART DEVICE
Scan the corresponding QR code to download and install the APP (HFun_Pro).



2. CONNECT THE DRONE AND SMART DEVICE USING WIFI
Turn the drone on. While red flashing light is on, turn on the WIFI function in your smart device and select the name "WIFI_FRH_XXX" in the list to make the connection. After connected, open the "HFun_Pro" app. Press "START" in program. The indicator light on the drone will turn steady after success. The smart device screen will start streaming video with the drone.



* Please turn off the drone and WIFI function on your smart device. Make sure the app on your smart device is closed completely. Redo the above step if connection is not success.
* Control distance and the live streaming video will depend on the WIFI quality of your smart device.

9

3. MAIN INTERFACE INSTRUCTIONS



- 1 START
- To enter the flight interface
- 2 ? (HELP)
- Quick start guide and list of icon function

10

4. INTERFACE OPERATION INSTRUCTIONS



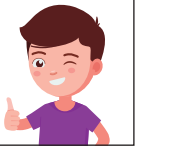
- 1 Return
Return to main interface
- 2 Take Photo
Press to take photo
- 3 Record Video
Press to start video recording, press again to stop
- 4 Media
Enter the photo or video library.
Press return icon to exit.
- 5 Speed Level
To switch the speed of the drone between 30% / 60% / 100%
- 6 Gesture Recognition
Press to turn on gesture to take photo or video record function. Press again to turn off.

TAKE PHOTO



Correct gesture
Distance about 3.2 feet

VIDEO RECORD



Correct gesture
Distance about 1.6 ~ 1.9 feet

11

7 Gravity Control

To control the drone forward / backward / left side flight / right side flight by controlling the gravity of the smart device.
Note: it may not work with some old version or without gravity sensor smart devices.

8 Switch

Turn off / on the screen left and right joystick.

9 Extra Settings

Open / close the extra function menu.

10 Camera Flip

Flip the camera screen upside down on the smart device.

11 VR Mode

Provide VR screen for your 3D virtual reality headset (not included).

12 Headless

Turn on / off headless mode.

13 Gyro Calibrate

Calibration of the drone.

14 Take Off

One key take off.

15 Emergency Stop

Press for the emergency stop.

16 Landing

One key landing.

17 Speech Recognition

Voice recognition: take off / landing / forward / backward / left / right.

18 360° Roll

Press 360° roll and drag left joystick to left or right to 360° flip and roll.

19 Marking Flight

Draw a path on the smart device screen. The drone will follow the path to flight.

13



- 20 Throttle
Ascent or descent of the drone.
- 21 22 Left / Right Roll
Turn left or right of the drone.
- 23 24 Forward / Backward
Move forward or backward of the drone.
- 25 26 Left / Right
Move left or right of the drone.
- 27 28 Forward / Backward Trim
Fine tune forward or backward.
- 29 30 Left / Right Roll Trim
Fine tune left / right roll.
- 31 32 Left / Right Trim
Fine tune left / right.

14

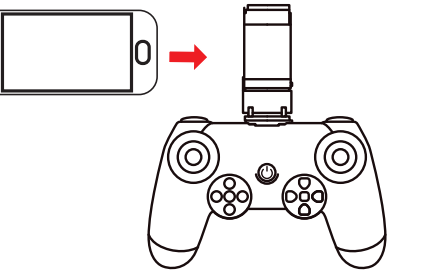
USE WITH REMOTE CONTROL AND STREAMING VIDEO ON THE SMART PHONE

1. Turn on the drone and remote control.
2. Pairing the remote control with the drone.
3. Connect the smart device to the drone.
4. Open the app and play.

Note: When the drone is connected to the remote control and the smart device, it cannot be flown using the smart device. Only other functions like recording videos and taking photos can be done via the smart device.

HOLD THE SMART DEVICE ON THE REMOTE CONTROL

Pull out the remote control bottom bracket, clamp the smart device.



15