

Scout

Version 1.0

for use with the **wiiink** app



User manual

Contents

1. Important safety instructions

General Safety Information
Care of the Built-in Battery
Battery Warnings
Charging Cable Warnings
General Care

2. Scout with Bluetooth function

Delivery content

3. Getting started

Pairing the Scout to your mobile phone
Charging your Scout

4. Using your Scout

Connecting the Scout
LED indications
Battery Warnings
Charging Cable Warnings
General Care

5. Technical data

6. Regulatory information

Notice of compliance
Product disposal
Trademarks

7. Frequently asked questions

1. Important safety instructions

General Safety Information

Be sure to observe the following guidelines when using your scout:

- If you have any pacemaker or other electrical medical device, you should consult your doctor before using this product.
- The product packaging contains small accessories that can be dangerous to children. Always keep small products out of reach of children. The plastic bags as well as many small parts contained therein can cause choking if swallowed.
- Never attempt to disassemble the device or insert other objects into the device as this could result in a short-circuited fire or electric shock.
- None of the internal components may be replaced or repaired by users. Only authorized dealers or service centers may open the device. If parts of your device need to be repaired, for example due to wear or defects, contact your dealer.
- Do not expose the device to rain, moisture or other liquids.
- If the product overheats, has been dropped or damaged, or if it has fallen into a liquid, do not use the device for any longer.
- Never mount or store the device in the deployment area of an airbag, as the deployment of the airbag may otherwise result in serious injury.

- Dispose of the product in accordance with local regulations.

Care of the Built-in Battery:

- The product is powered by a rechargeable battery. The full power of a new battery is achieved after two to three complete charge and discharge cycles. Do not leave a fully charged battery connected to the charger as overcharging may shorten the life of the battery.
- If a fully charged battery is not used, it will discharge over time.
- Leaving the product in very warm or cold places, such as in summer or winter conditions in a car, reduces the capacity and life of the battery.
- Make sure the battery is mainly exposed to temperatures between 0 °C and 45 °C (32 °F -113°F). A product with a too hot or cold battery exposure may temporarily not function, even when the battery is fully charged.

Battery Warnings:

- "Caution" - Incorrect handling of the battery used in this product may result in fire or chemical burns. Batteries may explode if damaged.
- Charge the battery only with the enclosed approved charging cable provided for this device.
- Dispose of the batteries in accordance with the applicable local regulations. Due to the explosion hazard, batteries should not be disposed of in normal household waste or by incineration.

- Unless otherwise stated in the User's Guide or Quick Start Guide, the battery in your device can not be removed or replaced by the user. Such experiments are risky and can lead to damage to the device.
- For battery information, see www.wiiink.net/batteries.

Important: Please refer to the user manual for the meaning of the charging status LEDs.

Charging Cable Warnings:

- When unplugging the power cable from an outlet, always pull on the plug and not on the cable itself. Never use a damaged charging cable.

General Care:

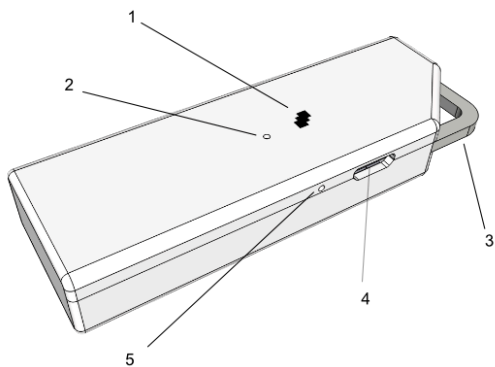
- Disconnect the product or associated cables before cleaning.
- The product can be wiped with a dry or slightly damp cloth. The cables can be dry dusted if necessary.

2. Scout with Bluetooth function

Delivery content:

- Scout device
- Micro USB charging cable
- User manual
- Quick start guide

Overview of Scout device



- (1) LED indicator
- (2) Pairing button
- (3) Key ring connector
- (4) Micro USB charging slot
- (5) Reset button

3. Getting started

Congratulations on the purchase of your scout for **wiiink**!

(Photo of iPhone / Android sample step 2)

Step 7.) Follow further instructions on the wiiink app

Create and account with **wiiink**

In order to use your scout device, you must create an account by registering at www.wiiink.net/register.

Note

- Before using your scout, you should charge the battery for 5 hours for the optimal battery capacity.
- Use the original micro USB charging cable to avoid any damage.

* Normally a full charge takes 3 hours

Pairing the scout to your mobile phone

Once registered, you can pair your scout to your mobile phone by following these few steps:

*The devices must be in close proximity

Step 1.) Login to your **wiiink** app on your mobile device.

Step 2.) Follow instructions on the **wiiink** app

Step 4.) Using a paper clip, press the pairing button (on the top side of the scout), for a minimum of 5 seconds, or until the LED indicator flashes blue.

Step 5.) Press “ready to pair”

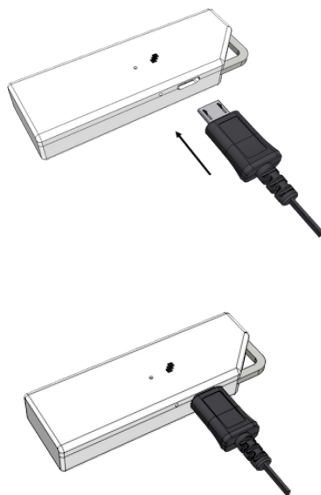
Step 6.) Once the **wiiink** app finds the device, press “connect” on your mobile phone

4. Charging Scout

Use a standard USB charger for charging (not included)

- Before using your scout, you should charge the battery for 5 hours for the optimal battery capacity.
- Use the original micro USB charging cable to avoid any damage.
- Normally a full charge takes 3 hours

Plug the Micro USB cable in the Micro USB port:



The LED on your scout will start blinking red when it reaches a 20% charge level. You also can search the charge level of your scout in your **wiiink** app.

While charging, the LED will blink green. When charging is completed, the LED will show a continuous green light (only as long as plugged into a charging device)

5. Using your Scout

In order to use your scout device, refer to the app manual and help system

6. Technical Data

- Up to 24 hours scout searching with fully charged battery.
- Up to 36 hours standby time
- Normal charging time 2 hours
- Rechargeable lithium polymer battery (380 mAh)
- Bluetooth 5
- Operating range: up to 10 meters (33 feet)

Note

- Specifications are subject to change without notice.

6. Regulatory information

Notice of compliance

Notice for US

This device complies with Part 15 of the FCC rules. Operation is subject to the following two conditions:

- (1) This device may not cause harmful interference, and
- (2) This device must accept any interference received, including interference that may cause undesired operation.

FCC rules

This equipment has been tested and found to comply with the limits for a Class B digital device, pursuant Part 15 of the FCC rules. The limits are designed to provide reasonable protection against harmful interference in a residential installation. This equipment uses and can radiate radio frequency energy and if not installed and used in accordance with the instruction manual, may cause harmful interference to radio communications. However, there is no guarantee that interference will not occur in a particular installation. If this equipment does cause harmful interference to try to correct the interference by one or more of the following measures:

- Adjust or relocate the receiving antenna.
- Increase the separation between the equipment and receiver.
- Connect the equipment into an outlet on a circuit different from that to which the receiver is connected.
- Consult the dealer or an experienced radio/TV technician for help.

FCC Radiation Exposure Statement:

The radiated output power of the device is far below the FCC radio frequency exposure limits. Nevertheless, the device should be used in such a manner that the potential for human contact during normal operation is minimized.

Warning: Changes or modifications made to this equipment not expressly approved by AWARE Systems may void the FCC authorization to operate this equipment.

Model number: WB10

Trade Name: Scout

Responsible party:

AWARE Systems GmbH
Richthofenstr. 132
53757 Sankt Augustin
Germany

Product disposal

Your product is designed and manufactured with high quality materials and components, which can be recycled and re-used.

This product may contain lead and mercury. Disposal of these materials may be regulated due to environmental considerations. For disposal or recycling information, please contact your local authorities or visit www.wiiink.net/recycle

This product contains a non-removable battery:

Do not incinerate. Batteries may explode if overheated.

For disposal or recycling information, please contact your local authorities or visit www.wiiink.net/recycle

Trademarks

Bluetooth

The Bluetooth word mark and logos are owned by the Bluetooth SIG, Inc. and any use of such marks by AWARE Systems GmbH is under license.

7. Questions & Answers

Frequently asked questions

My Bluetooth Scout does not switch on.

The battery charge is low. Charge the scout.