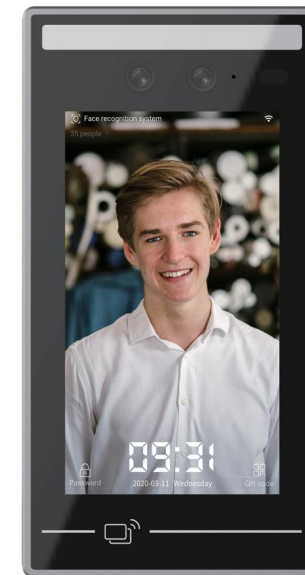


# PRODUCT BOOKLET

## Uface 7 Pro

( OS-M375C4-V-R23WFCQ )



The software carried by the product is LAN version(supports the secondary development). Please mark the need for software version when place the order. Please contact the customer service for another version if required. For more detailed platform/software instruction manual, please login into the official website to download or contact the customer services.

**Dear customer:**

Thank you for using our product. For better use, please carefully read this instruction. If you have any issues not mentioned here, please contact the provider. All parts of this booklet are reserved by our company, including words, pictures and graphics. Without written permission, no unit or individual shall extract, copy, translate or edit the content in this instruction.

**Device introduction**

- Parts list
- Dimensional drawing
- Platform/Software operating instruction
- Appearance description

**Installation**

- Illumination intensity
- Position
- Height
- Steps
- Wiring connection

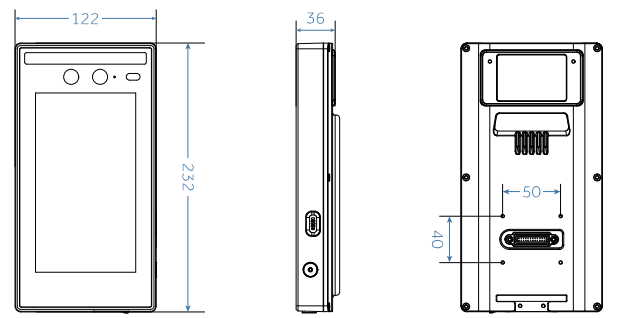
**Product description**

- Features
- FAQ

**Parts list**

No.	Name	Quantity
1	Host	1
2	Support	1
3	Wrench	1
4	Expansion pipe	3
5	Flat head self-tapping screws	3
6	Flat head screws	4
7	Tail line	1
8	Power adapter	1
9	Installation sticker	1
10	Warranty	1

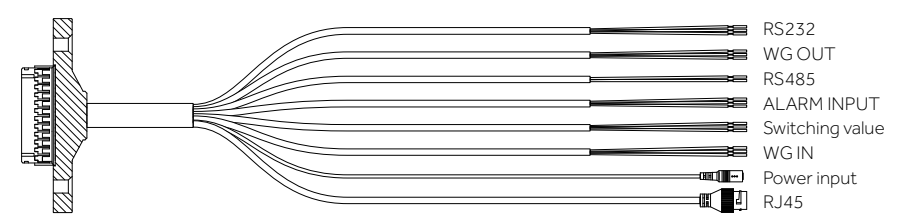
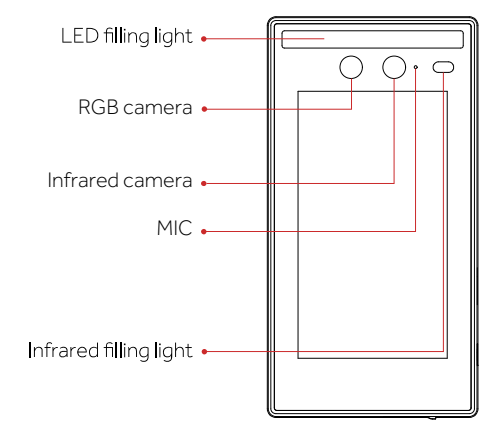
**Dimensional drawing**



Unit: mm

**Appearance description**

**Instruction**

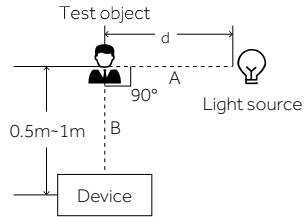


RS232	WG OUT	RS485	ALARM INPUT	Switching value	WG IN
TX_232	WG_OUT-D0	485-	GND	DOOR_NO	WG_IN-D1
RX_232	WG_OUT-D1	485+	SENSOR	DOOR_COM	WG_IN-D0
GND	GND		BUTTON	DOOR_NC	GND

The recognized face, of which, the illumination intensity ("intensity" in short) shall not be lower than 30 Lux. The device has filling light itself, so when the device put in a totally dark environment, the face illumination intensity, 0.5m distance to the device, is about 100 Lux. The nearer to the device, the higher the intensity is. If there is overexposure on the face, the face characteristics will be unable to be extracted and may lead to hard recognition.

Intensity test

The test standard is as shown on the picture: the angle between dotted line A and dotted line B is 90°, the test adopts the common light meter with full spectrum, and applies U30 standard light source; adjust the distance between source light and test object, subject to the illumination intensity of the object's face at this time.



Reference to intensity



30 Lux, dim



50 Lux, normal



100 Lux, bright



300 Lux, slight exposure

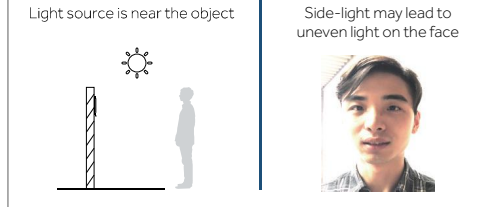


500 Lux, overexposure

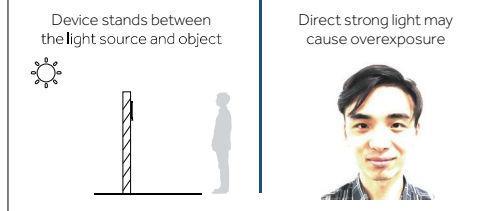
Illumination intensity in actual scenarios

Light issues may lead to big differences between site image and registered image; backlight, side-light and strong light will influence the recognition experience. (Analysis: from the view of human eyes, the color changes on face skin may result in wrong recognition of identity; unclear exposure area, no matter large or small, may influence the identity judgement.)

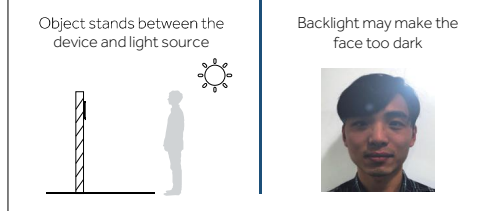
Side light



Strong light



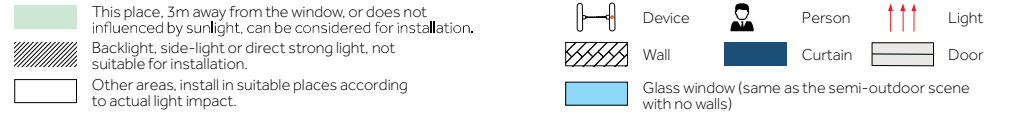
Back light



Improvements

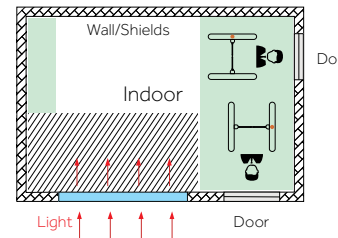
1. Install the device in a place with little impact from light source.
2. Add a registered image according to the site condition, and it is suggested to use this product to enroll images.
3. Properly lower the threshold value according to usage.

Device shall be installed in places avoiding backlight, side-light and strong light.



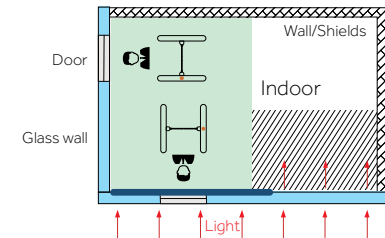
Sunlight shines indoor

When the sunlight shines indoor through the window, the face recognition terminal device shall not be installed in shown black shadow area, instead, shall be installed in place with little sunlight impact, no side-light and no backlight. (Glass window can be deemed as no walls)



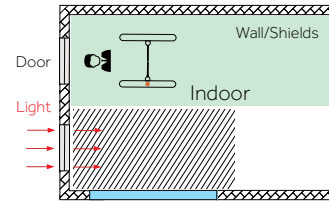
Glass window

If the room has glass wall, there is no shield for sunlight, then it is suggested to hang curtains over the window, and install the device in place with shield to avoid direct sunlight influencing the recognition. (Glass window can be deemed as no walls)



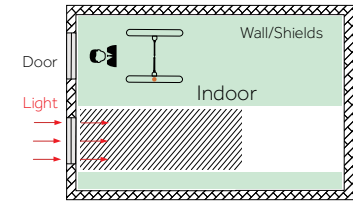
Sunlight shines through the door, with glass window at one side

Sunlight shines through the door, the device shall be installed at the place with shields and little light impact. Glass window can be deemed as no shields, the device shall be installed at the side without glass window or with curtain hung.



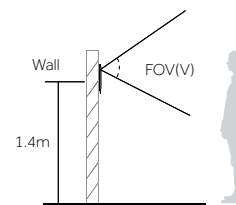
Sunlight shines through the door

Sunlight shines through the door, the device shall be installed at the place with shields and little light impact.

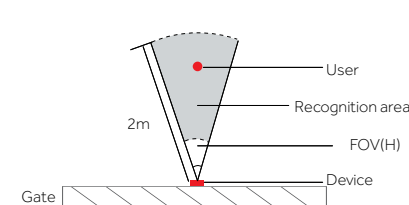


Height

Camera vertical wide-angle

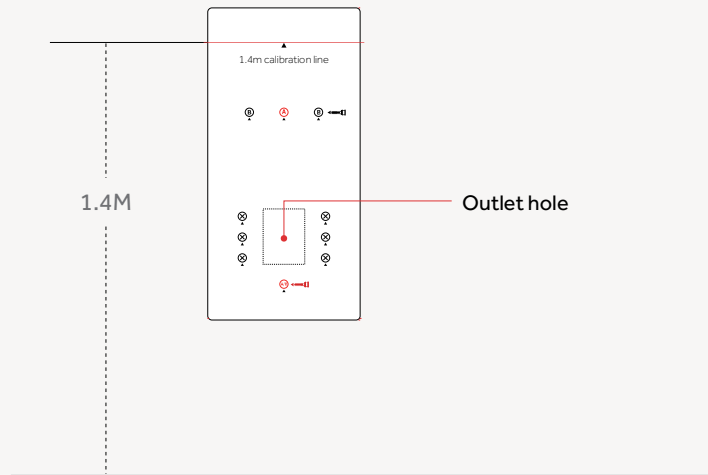


Camera horizontal wide-angle

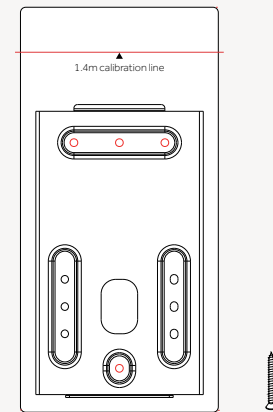


Suggested installation height (the distance between the lens and the ground) is 1.4m, as the recognizable body height range, 0.5m distance away from the device, is 1.3m-1.7m; the recognizable body height range, 1m distance away from the device, is 1m-2m. (There are some deviations)

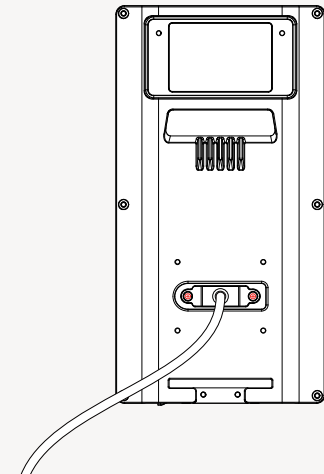
- 1** Paste the installation sticker on the wall, and keep the horizontal line parallel with the ground and the red line 1.4m distance to the ground; drill screw holes on suitable position on the wall according to the installation method (if use 86-box, then no need to drill holes).



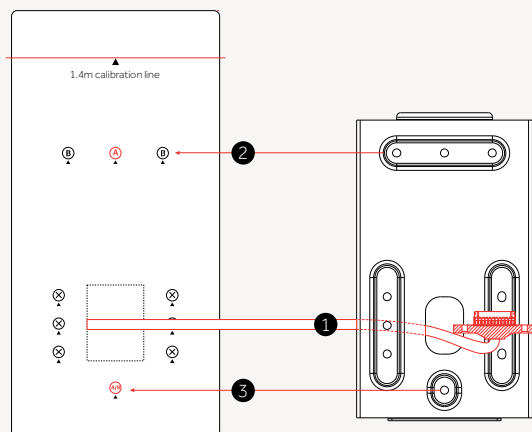
- 3** Move the support to align the holes on it with that on the wall, and use the screws to fix the support. (Attention: If the wall has hard foundation, self-tapping screws shall be used together with expansion pipe; if the wall has soft foundation, use self-tapping screws directly.)



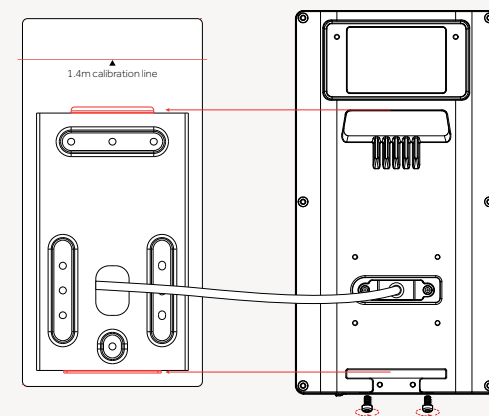
- 4** Align the socket of tail line with the interface at device back, use the screw to fix.



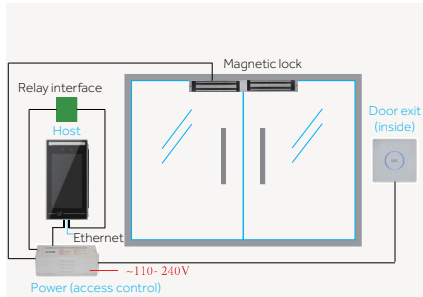
- 2** Connect power cable, network cable and other wires, thread the connected tail line out the hole.



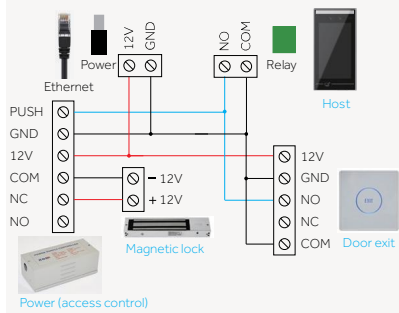
- 5** Insert the device upper slot into the hook on support, and align the lower slot with the limit slice, use hexagonal wrench to tighten the tamper screw in shown direction, to finish the installation.



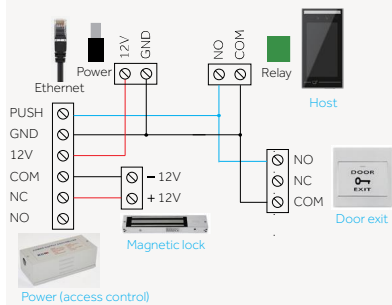
Wiring for magnetic door



System installation schematic drawing for magnetic door

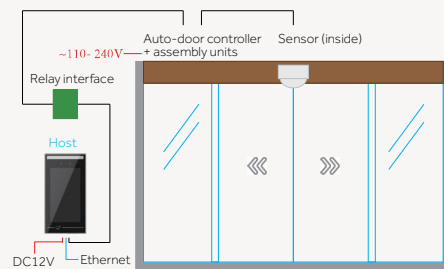


Wiring schematic drawing for touching switch of magnetic door

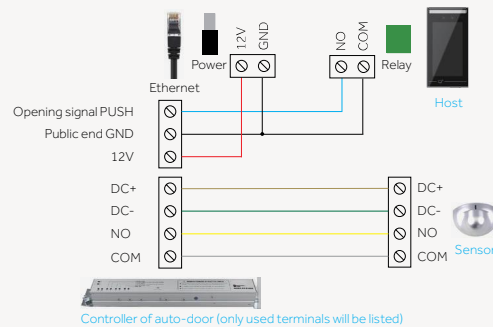


Wiring schematic drawing for mechanical switch of magnetic door

Wiring for automatic door



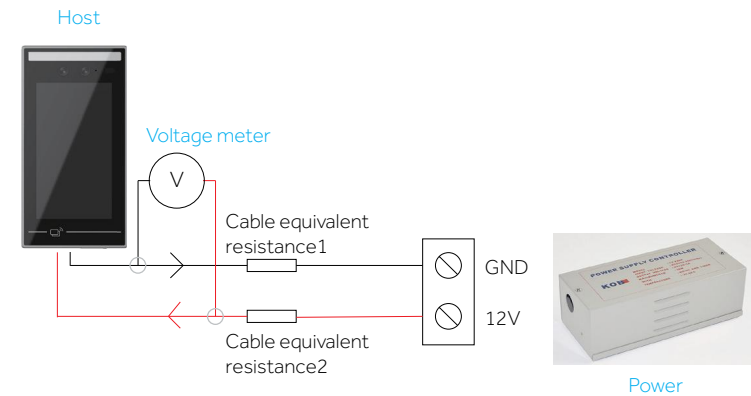
System installation schematic drawing for automatic door



Wiring schematic drawing for sensor switch of automatic door

Installation notes

1. When arrange the wires, if the 12V power supply cable of the host does not adopt the "Special power strip" and is in long distance, resulting in large resistance, then abnormal phenomena may occur easily such as insufficient voltage ( $\leq 11V$ ), repeat restart, system crash and so on. Wiring connection of voltage metering is shown as follow.



2. Power adapter (brought with the device) of different countries are optional, such as European standard, American standard, British standard and so on.

- Extension of power cable (weak current) cannot exceed 2m, otherwise, it may cause insufficient power supply for the host end, and abnormal phenomena like repeat restart, system crash may occur. If the power is far away from the device, the power cable can be extended (strong current).
- If use other power adapter, 9V 1A as an example, then insufficient voltage and too weak current may cause repeat restart.
- The cable cannot be too fine (such as network cable and fine line), it is suggested to connect multi-strand cable in parallel or use copper core bold cable, to ensure voltage  $> 11V$ .  
 ⓘ Attention: If use network cable, the extension cable use 4-strand cable as positive pole and 4-strand cable as negative pole.
- If not clear with how to extend, please contact the provider to change "Special power strip".

- **Characteristics**

Night infrared and RGB dual-filling light; completely solve image frauds in all kinds of carriers with dynamic dual-camera; face database is 10000, the 1:N recognition accuracy is 99.99% under 0.1% false accept rate.

- **Store records in local**

(a) Device using cloud platform supports storing 50 thousand pieces of face images (smaller than 400KB), 1 million pieces of recognition records (0.45KB) and about 100 thousand pieces of on-site capture images; (b) Device using LAN support storing 50 thousand pieces of face images (each image by 100KB) and 1 million pieces of recognition records (including the latest 10 thousand pieces of on-site capture images)

- **Quick recognition speed**

Recognition speed less than 1s.

- **Secondary development (integrated)**

Support the interface connection in HTTP; supports 232 serial output, Wiegand 26 and 34 output, custom the configuration of output content.

- **Complete functions**

Supports recognition distance configuration; supports stranger detection, and the stranger level can be configured; supports saving the on-site images of face recognition and stranger detection.

- **High extensibility**

Supports deployment methods like public network and LAN; supports screen display content configuration; IC/ID card reader access.

- **Try to restart and reset**

When the device stops in some interface for a long time, users can plug out the power switch, power-on reset and then restart. If it does not take effect, then can short circuit the tails or long press RESET button for 8-12s to restart the device. Besides, users can contact after-sales service and make some feedback.

- **Dustproof & Waterproof**

IP65

- **Drop resistance**

Please avoid operations such as falling, breaking, bending, heavily pressing and so on.

- **Cleaning**

Please use soft cloth or such materials, lightly wipe the display screen or panel, and to avoid scrubbing with water and cleaner.

- **Working temperature**

The normal working temperature for this device is -20°C ~50°C, if the actual temperature exceeds this range, that may influence the normal use of the device.



Do not dirty or damage the display screen with oil-water or sharp objects



Do not use unknown power adapter to avoid burning out the device

This device complies with Part 15 of the FCC Rules. Operation is subject to the following two conditions:

(1) This device may not cause harmful interference, and (2) this device must accept any interference received, including interference that may cause undesired operation.

NOTE 1: This equipment has been tested and found to comply with the limits for a Class B digital device, pursuant to part 15 of the FCC Rules. These limits are designed to provide reasonable protection against harmful interference in a residential installation. This equipment generates uses and can radiate radio frequency energy and, if not installed and used in accordance with the instructions, may cause harmful interference to radio communications. However, there is no guarantee that interference will not occur in a particular installation. If this equipment does cause harmful interference to radio or television reception, which can be determined by turning the equipment off and on, the user is encouraged to try to correct the interference by one or more of the following measures:

- Reorient or relocate the receiving antenna.
- Increase the separation between the equipment and receiver.
- Connect the equipment into an outlet on a circuit different from that to which the receiver is connected.
- Consult the dealer or an experienced radio/TV technician for help.

NOTE 2: Any changes or modifications to this unit not expressly approved by the party responsible for compliance could void the user's authority to operate the equipment.

**FCC Radiation Exposure Statement:**

This equipment complies with FCC radiation exposure limits set forth for an uncontrolled environment. This equipment should be installed and operated with minimum distance 20cm between the radiator & your body.