

PRODUCT
BOOKLET



Product number • OS-M340Q1-0G0G-R02WFC



(Pictures for reference only, subject to our products)

Dear customer:

Thank you for using our product. For better use, please carefully read this instruction. If you have any issues not mentioned here, please contact the provider. All parts of this booklet are reserved by our company, including words, pictures and graphics. Without written permission, no unit or individual shall extract, copy, translate or edit the content in this instruction.

Device introduction

- Parts list
- Dimensional drawing
- Platform/Software operating instruction
- Appearance description

Illumination intensity

- Position
- Height
- Steps
- Wiring connection
- Product description

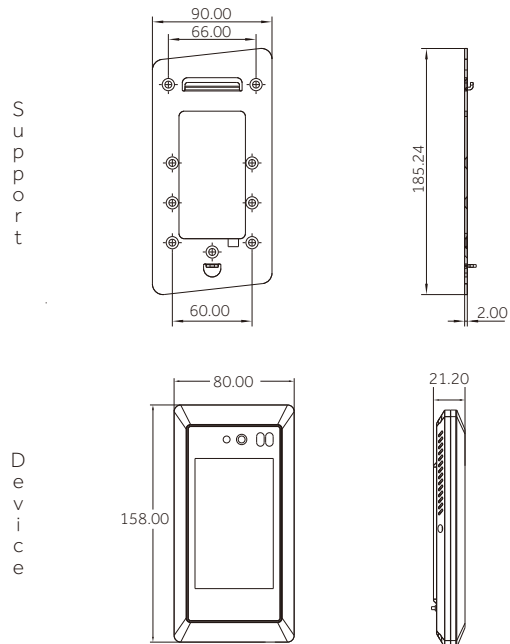
Parameters

- Features
- FAQ

Parts list

Parts List	No. Name	Quantity
1	Uface host	1
2	DC 12V power adapter, white sockets	1
3	Support, wall stickers	1
4	Countersunk screws, L-type hexagon screw driver	1
5	Expansion pipe, self-tapping screws	3

Dimensional drawing



Unit: mm

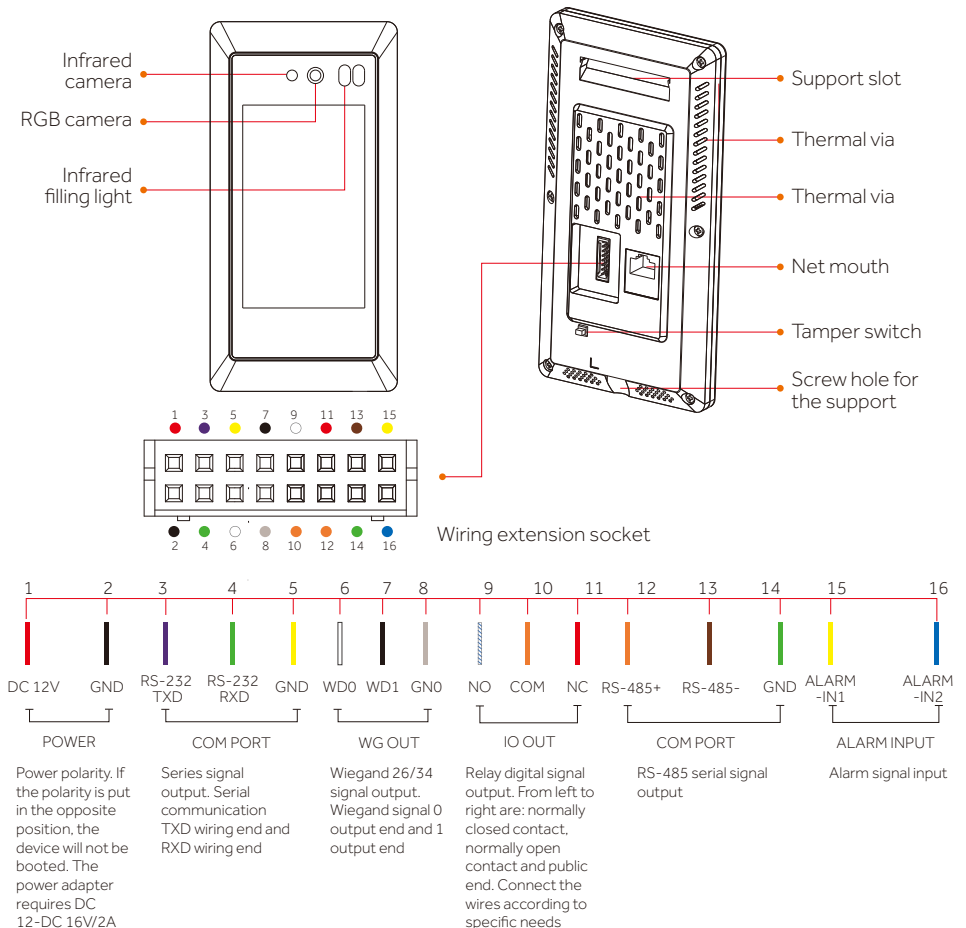
Platform/Software operating instruction

1 / 2

The software carried by the device divides into 2 versions: GS (WO platform, provides the secondary development) and LAN (LAN or offline version, provides the secondary development). Please mark the need for software version when place the order. Please contact the customer service if another version required. For more detailed platform/software instruction manual, please login into the official website to download or contact the customer services.

Appearance description

Instruction

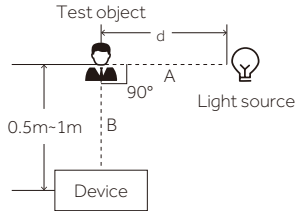


(Pictures for reference only, subject to our products)

The recognized face, of which, the illumination intensity ("intensity" in short) shall not be lower than 30 Lux. The device has filling light itself, so when the device put in a totally dark environment, the face illumination intensity, 0.5m distance to the device, is about 100 Lux. The nearer to the device, the higher the intensity is. If there is overexposure on the face, the face characteristics will be unable to be extracted and may lead to hard recognition.

Intensity test

The test standard is as shown on the picture: the angle between dotted line A and dotted line B is 90°, the test adopts the common light meter with full spectrum, and applies U30 standard light source; adjust the distance between source light and test object, subject to the illumination intensity of the object's face at this time.



Reference to intensity



30 Lux, dim 50 Lux, normal



100 Lux, bright 300 Lux, slight exposure 500 Lux, overexposure

Illumination intensity in actual scenarios

Light issues may lead to big differences between site image and registered image; backlight, side-light and strong light will influence the recognition experience. (Analysis: from the view of human eyes, the color changes on face skin may result in wrong recognition of identity; unclear exposure area, no matter large or small, may influence the identity judgement.)

Side light

Light source is near the object Side-light may lead to uneven light on the face

Strong light

Device stands between the light source and object Direct strong light may cause overexposure

Back light

Object stands between the device and light source Backlight may make the face too dark

Improvements

1. Install the device in a place with little impact from light source.
2. Add a registered image according to the site condition.
3. Properly lower the threshold value according to usage.

Device shall be installed in places avoiding backlight, side-light and strong light.

	This place, 3m away from the window, or does not influenced by sunlight, can be considered for installation.		Device		Person		Light
	Backlight, side-light or direct strong light, not suitable for installation.		Wall		Curtain		Door
	Other areas, install in suitable places according to actual light impact.		Glass window (same as the semi-outdoor scene with no walls)				

Sunlight shines indoor

When the sunlight shines indoor through the window, the face recognition terminal device shall not be installed in shown black shadow area, instead, shall be installed in place with little sunlight impact, no side-light and no backlight. (Glass window can be seen as no walls)

Glass window

If the room has glass window, there is no shield for sunlight, then it is suggested to hang curtains over the window, and install the device in place with shield to avoid direct sunlight influencing the recognition. (Glass wall can be seen as no walls)

Sunlight shines through the door, with glass window at one side

Sunlight shines through the door; the device shall be installed at the place with shields and little light impact. Glass window can be seen as no shields, so the device shall be installed at the side without glass window or with curtain hung.

Sunlight shines through the door

Sunlight shines through the door, the device shall be installed at the place with shields and little light impact.

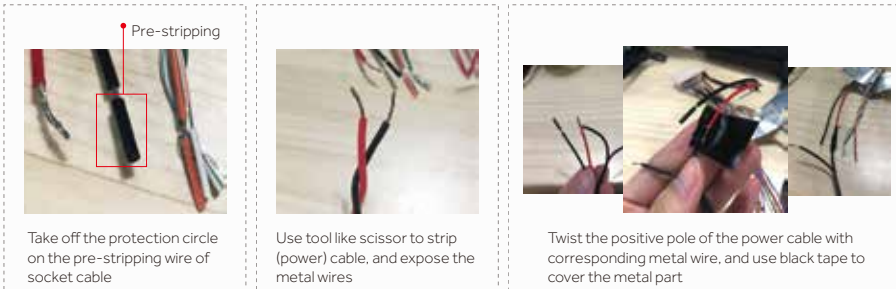
Height

Camera vertical wide-angle

Camera horizontal wide-angle

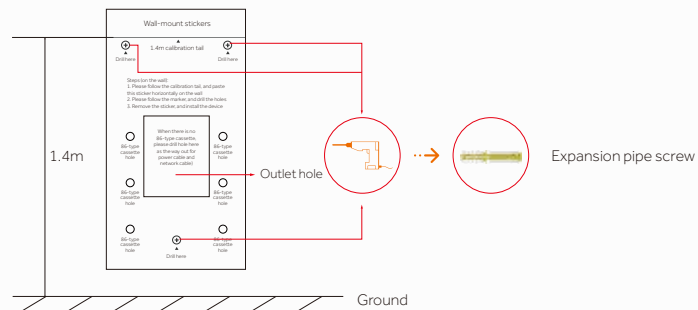
Suggested installation height is 1.4m, as the recognizable body height range, 0.5m distance away from the device, is 1.3m-1.7m; the recognizable body height range, 1m distance away from the device, is 1m-2m. (There are some deviations)

1 Wiring instruction (set power wire as an example, the rest can be done in the same manner)

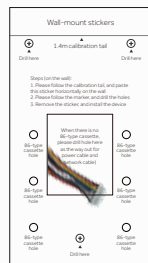


1 Attention: If the polarity of the power cable is connected in opposite direction, then the device will not be booted; if connected in right direction, then the device will be normally booted; power adapter requires DC12-16V, 2A

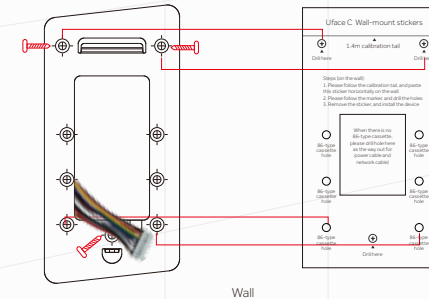
2 Paste hole papers, and keep the horizontal line parallel with the ground and the red line 1.4m distance to the ground. Drill 3 screw holes on the wall according to the reminder of hole paper, drill 2 outlet holes according to wiring needs, please use expansion pipe in the parts to knock into the hole if for wall with hard foundation.



3 According to the support position, punch out the white socket with connected wires from the outlet hole.

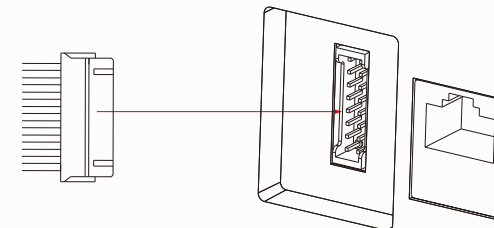


4 Move the support to align the 3 holes on it with holes on the wall, and use the screws to fix the support on the wall.

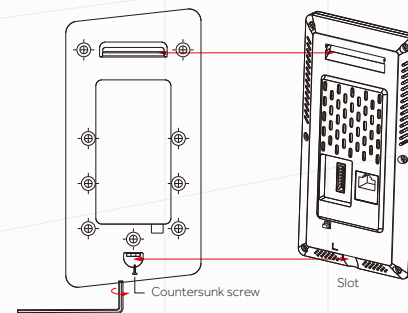


1 Attention: If the wall has hard foundation, self-tapping screws shall be used together with expansion pipe; if the wall has soft foundation, use self-tapping screws directly.

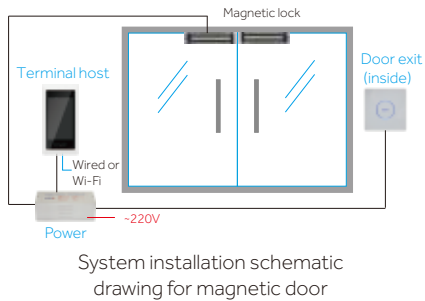
5 Align the white socket with interface on the device back, and insert.



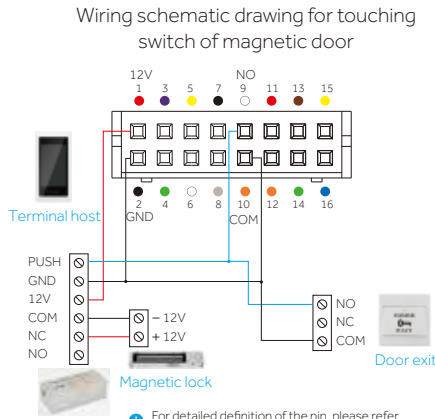
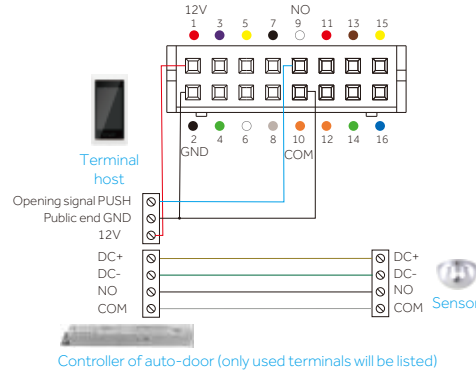
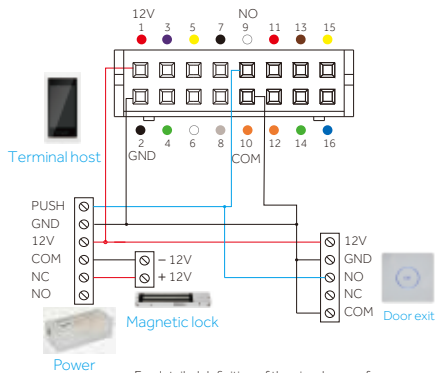
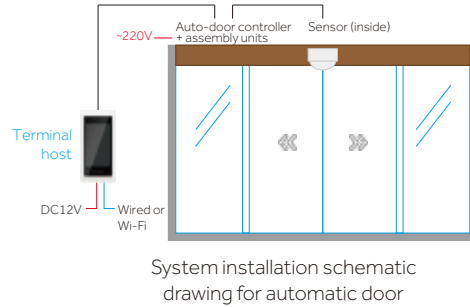
6 Twist the countersunk screw around the device, align the slot at the device bottom with the hook at the support bottom, use hexagon tool or hexagonal screwdriver to tighten the countersunk screws follow the direction indicated, to complete the installation.



Wiring for magnetic door

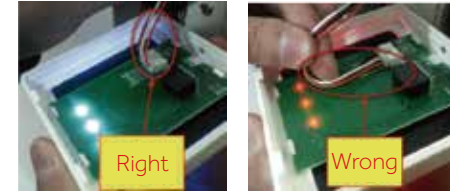


Wiring for automatic door

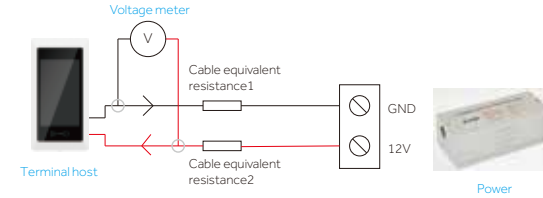


Installation notes

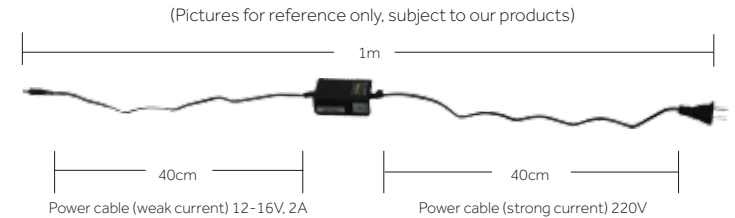
1、Cables inside of the touch switch board shall keep far away from the center area of the board back.



2、When arrange the wires, if the 12V power supply cable of the host does not adopt the "Special power strip" and is in long distance, resulting in large resistance, then abnormal phenomena may occur easily such as insufficient voltage, repeat restart, system crash and so on.



3、The power adapter with the device is shown as follow, 1m length in total, with 40cm low voltage power cable and 40cm high voltage power cable.



- Extension of power cable (weak current) can not exceed 2m, otherwise, it may cause insufficient power supply for the host end, and abnormal phenomena like repeat restart, system crash and so on may occur. If the power is far away from the device, the power cable can be extended (strong current).
- If use other power adapter, 9V 1A as an example, then insufficient voltage and too weak current may cause repeat restart.
- The cable cannot be too fine (such as network cable and fine line), it is suggested to connect multi-strand cable in parallel or use copper core bold cable, to ensure voltage >11V.
- Attention: If use network cable, the extension cable uses 4-strand cable as positive pole and 4-strand cable as negative pole.
- If not clear with how to extend, please contact the provider to change "Special power strip".

- Characteristics

Completely resolves image frauds in all kinds of carriers with infrared and RGB dual-camera dynamic anti-forgery; when face database is 5000, the recognition accuracy is 99.99% (99.77% recognition rate under 1% false accept rate; 99.27% recognition rate under 0.1% false accept rate).

- Store 10-thousand level database in local

(a) Device using cloud platform supports storing 5 thousand pieces of face images (smaller than 400KB), 1 million pieces of recognition records (0.45KB) and about 10 thousand pieces of site capture images; (b) Device using LAN supports storing 5 thousand pieces of face images (each image calculated by 100KB) and 1 million pieces of recognition records (including the latest 10 thousand pieces of site capture images).

- Quick recognition speed

(a) Face recognition takes around 150ms; (b) Extraction of face features takes around 330ms; (c) Face comparison takes around 2ms (5-thousand level face database, with multiple comparison and calculate the average value).

- Secondary development (integrated)

Supports the interface connection in HTTP; supports 232 and 484 serial output, Wiegand 26 and 34 output, custom the configuration of output content.

- Complete functions

Supports recognition distance configuration; supports stranger detection; supports saving site images of face recognition and stranger detection.

- High extensibility

Supports deployment methods like public network and LAN; supports screen display content configuration.

- Try to restart and reset

When the device stops in some interface for a long time, users can plug out the power switch, power-on reset and then restart. If it does not take effect, then can long press RESET hole for 8-12s to restart the device. Besides, users can contact our staff and make some feedback.

- Protection

This device possesses certain protection capability which can prevent small objects (such as tools, cables and so on) from entering and touching internal parts.

- Drop resistance

Please avoid operations such as falling, breaking, bending, heavily pressing and so on.

- Cleaning

Please use soft cloth or such materials lightly wipe the display screen or panel, and to avoid scrubbing with water and cleaner.

- Low-temperature environment

The normal working temperature for this device is 0°C-50°C, if the actual temperature exceeds this range, that may influence the normal use of the device.



Do not dirty or damage the display screen with oil-water or sharp objects



Do not use unknown power adapter to avoid burning out the device




CE Caution:

Use the Product in the environment with the temperature Between **-10°C and 50°C**; Otherwise, it may damage your product. Products can only be used below 2000m altitude

For the following equipment:

Product Name: Face recognition terminal

Model: UFACE-M4206-IC, M4206-IC, M4206-IC(White), M4206-IC(Black), M4206-IC-TP

Trade Name:  宇泛智能

Universal Ubiquitous Co.,Ltd.

E-mail: wangjianhao@uni-ubi.com

Adapter shall be installed near the equipment and shall be easily accessible.

Only can use adapter as below:

Power Adapter Model: XED-RZ120200S

Input: AC100-240V, 0.6A, 50/60Hz; Output: DC12V, 2A

SHENZHEN XED POWER SUPPLY CO., LTD

The plug considered as disconnect device of adapter.

This product is intended for sale and application in a business environment.

RED Article 10 2

-This product can be used across EU member states

RED Article 10 10

-The product is class 1 product, No restrictions

The RF distance between body and product is 20cm

Bluetooth Version: V4.0

Frequency Range: 2402-2480MHz

Max. RF Output Power: 2.57dBm (EIRP)

Wi-Fi (2.4G)

Support Standards: 802.11b, 802.11g, 802.11n-HT20/40

Frequency Range:

2412-2472MHz for 802.11b/g/n(HT20); 2422-2462MHz for 802.11b/g/n(HT40)

Max. RF Output Power: 14.64dBm (EIRP)

NFC

Frequency Range: 13.56MHz

Radiated H-Field: -2.49dBuA/m(@10m)

FCC Warning

This device complies with Part 15 of the FCC Rules. Operation is subject to the following two conditions:

(1) This device may not cause harmful interference, and (2) This device must accept any interference received, including interference that may cause undesired operation.

NOTE 1: This equipment has been tested and found to comply with the limits for a Class B digital device, pursuant to part 15 of the FCC Rules. These limits are designed to provide reasonable protection against harmful interference in a residential installation. This equipment generates, uses and can radiate radio frequency energy and, if not installed and used in accordance with the instructions, may cause harmful interference to radio communications. However, there is no guarantee that interference will not occur in a particular installation. If this equipment does cause harmful interference to radio or television reception, which can be determined by turning the equipment off and on, the user is encouraged to try to correct the interference by one or more of the following measures:

- Reorient or relocate the receiving antenna.
- Increase the separation between the equipment and receiver.
- Connect the equipment into an outlet on a circuit different from that to which the receiver is connected.
- Consult the dealer or an experienced radio/TV technician for help.

NOTE 2: Any changes or modifications to this unit not expressly approved by the party responsible for compliance could void the user's authority to operate the equipment.

FCC Radiation Exposure Statement:

The transmitter must not be colocated or operated in conjunction with any other antenna or transmitter. This equipment complies with the FCC RF radiation exposure limits set forth for an uncontrolled environment. This equipment should be installed and operated with a minimum distance of 20cm between the radiator and any part of your body.