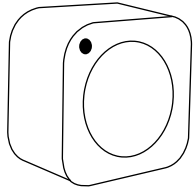


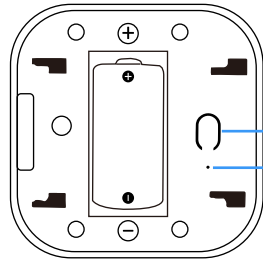
SIZE:288x90mm 对折后成品尺寸48x45mm

正面

Know about the sensor



(1)



LED
Blinking: The device enters pairing mode
Off: The device is under standby status

(2)

Button
 Press and hold the button for 5 seconds until the LED blinks, the device will enter pairing mode

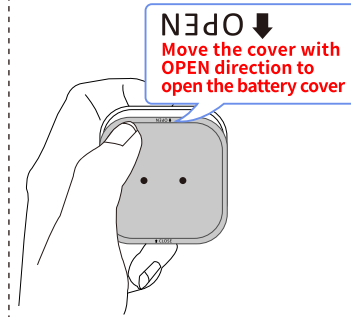
(3)

Quick Installation Guide

Note: The **Smart Life** app should be installed and registered a account first (Smart Life can be searched in APP Store or Google Play).Then make sure the Gateway is added and on-line before the next.

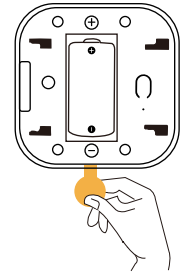
1.Power on the sensor

1 Open the battery cover

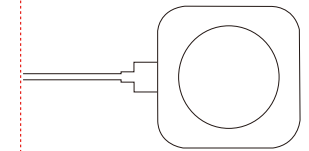


(4)

2 Remove the insulation sheet



Option:It also can be supplied by USB DC5V,at this time the battery will be saved.

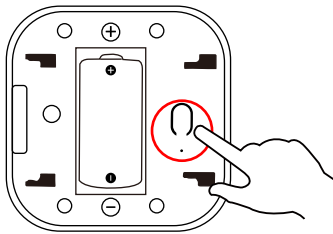


(5)

背面

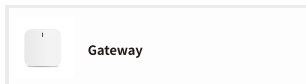
2.Make device to enter pairing mode

Press and hold the button for 5 seconds until the LED blinks .



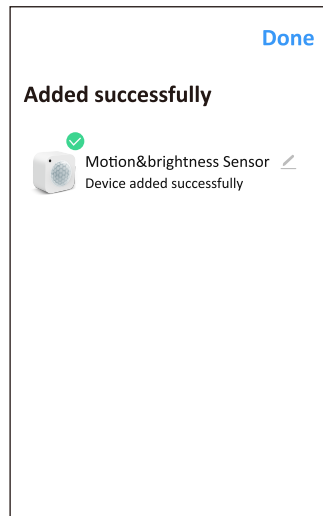
3.Device pairing

Open "Smart Life" app,Enter gateway homepage and click "Search new device" or "Add Devices" and follow the in-app instructions to connect the device to your gateway.



(6)

Waiting for a few seconds, This device is added successfully and you may rename it. Click "Done" to finish the setting.

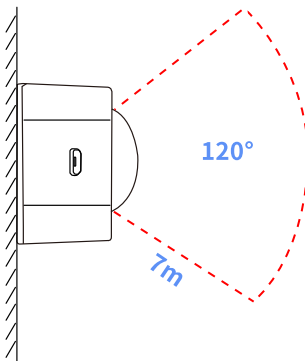


(7)

4.Device Installation

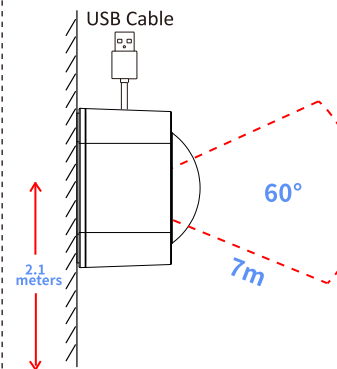
Close the battery cover then put it where you need it .For good detection range,the installation height should be 1.8~2.1 meters.Please refer to the view below to find out the installation place you need.

1 Top view



(8)

2 Side view

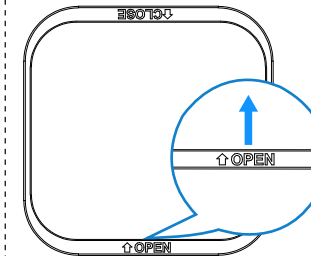


(9)

5.Battery Change

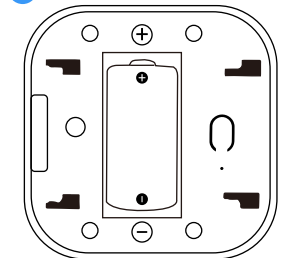
The sensor works with a replaceable CR123A 3.0V battery. If you received the low battery alarm on app, please replace the battery and ensure the new battery is installed in the right direction.

1 Open the Lid ↑

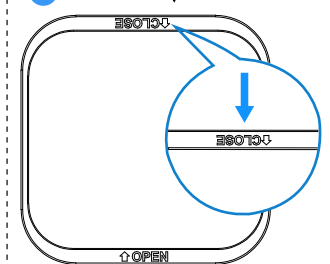


(9)

2 replace the battery



3 close the lid ↓



(10)

FCC Statement

This equipment has been tested and found to comply with the limits for a Class B digital device, pursuant to part 15 of the FCC Rules. These limits are designed to provide reasonable protection against harmful interference in a residential installation. This equipment generates, uses and can radiate radio frequency energy and, if not installed and used in accordance with the instructions, may cause harmful interference to radio communications. However, there is no guarantee that interference will not occur in a particular installation. If this equipment does cause harmful interference to radio or television reception, which can be determined by turning the equipment off and on, the user is encouraged to try to correct the interference by one or more of the following measures:

- Reorient or relocate the receiving antenna.
- Increase the separation between the equipment and receiver.
- Connect the equipment into an outlet on a circuit different from that to which the receiver is connected.
- Consult the dealer or an experienced radio/TV technician for help.

Caution: Any changes or modifications to this device not explicitly approved by manufacturer could void your authority to operate this equipment.

This device complies with part 15 of the FCC Rules. Operation is subject to the following two conditions: (1) This device may not cause harmful interference, and (2) this device must accept any interference received, including interference that may cause undesired operation.

RF Exposure Information

The device has been evaluated to meet general RF exposure requirement. The device can be used in portable exposure condition without restriction.