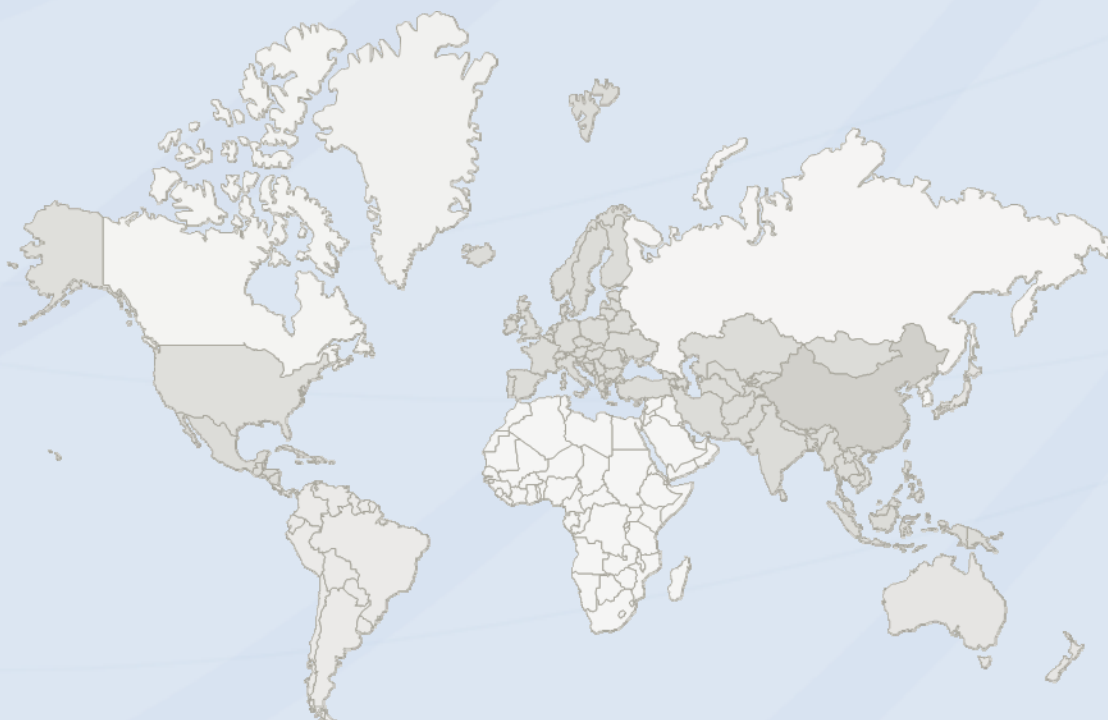


FCC TEST REPORT

Report No. : NTC-ER2303023

Applicant's name : Artika For Living Inc.

Address : 1756 50th avenue, Lachine, Qc, Canada H8T 2V5



DONGGUAN NEW TESTING CENTRE CO., LTD

Ⓞ Address: 1F & 3F, No. 1 the 1st North Industry Road Songshan Lake Science & Technology Park Dongguan, People's Republic of China 523808

☎ Tel: +86-769-22212079

🌐 Web: <http://www.ntc-cert.com>

✉ E-mail: dave@ntc-cert.com

TABLE OF CONTENTS

Test Report Declare	2
1. Summary of test results	3
2. General test information	3
2.1. Description of EUT	3
2.2. Detail models	3
2.3. Block diagram EUT configuration for test.....	3
2.4. Test environment conditions.....	4
2.5. Measurement uncertainty.....	4
3. Power Line Conducted Emission Test	5
3.1. Test equipment.....	5
3.2. Block diagram of test setup	5
3.3. Power Line Conducted Emission Limits (Class B).....	5
3.4. Test Procedure.....	6
3.5. Test Result	6
4. Radiated emission test.....	9
4.1. Test equipment.....	9
4.2. Block diagram of test setup	9
4.3. Radiated emission limit (Class B)	10
4.4. Test Procedure.....	10
4.5. Test result	11
5. Test setup photograph.....	13
5.1 Photos of power line conducted emission test.....	13
5.2 Photos of radiated emission test	13
6. Photos of the EUT	14

TEST REPORT DECLARE

FCC ID	: 2AUHG-VAN-AS
Applicant	: Artika For Living Inc.
Address	: 1756 50th avenue, Lachine, Qc, Canada H8T 2V5
Equipment under Test	: Led Wall Lamp
Model No	: VAN-AS-XXXXXXXXXX (X can be any character or blank for commercial use only)
Trade Mark	: ARTIKA
Manufacturer	: DongGuan City Rising Stars Lighting Co.,LTD
Address	: YuanQuan No.6 Bai Hao Village HouJie Town DongGuanCity GuangDong Province China
Test Laboratory	: Dongguan New Testing Centre Co., Ltd
Address	: 1F & 3F, No. 1 the 1st North Industry Road Songshan Lake Science & Technology Park Dongguan, People's Republic of China 523808

Test Standard Used:

FCC Rules and Regulations Part 15 Subpart B Class B; ANSI C63.4:2014.

We Declare:

The equipment described above is tested by Dongguan New Testing Centre Co., Ltd and in the configuration tested the equipment complied with the standards specified above (class B). The test results are contained in this test report and Dongguan New Testing Centre Co., Ltd is assumed of full responsibility for the accuracy and completeness of these tests.

After test and evaluation, our opinion is that the equipment provided for test compliance with the requirement of the above FCC standards.

Report No.:	NTC-ER2303023		
Date of Test:	Mar.20, 2023 to Apr.03, 2023	Date of Report:	Apr.03, 2023

Prepared By:

Taylor Chen

Taylor Chen /Engineer



Dave Gao/LAB Manager

Note: This report applies to above tested sample only. This report shall not be reproduced in parts without written approval of Dongguan New Testing Centre Co., Ltd

1. Summary of test results

Description of Test Item	Standard	Limits	Results
Power Line Conducted Emission Test	FCC Part 15: Subpart B ANSI C63.4: 2014	Class B	PASS
Radiated Emission Test	FCC Part 15: Subpart B ANSI C63.4: 2014	Class B	PASS

2. General test information

2.1. Description of EUT

EUT* Name	: Led Wall Lamp
Model Number	: VAN-AS-XXXXXXXXXX (X can be any character or blank for commercial use only)
EUT function description	: Please reference user manual of this device
Rating	: AC120V 60Hz
Trade mark	: ARTIKA
EUT Class	: Class B, intended primarily for use in the domestic environment
Maximum work frequency	: <108MHz
Sample Type	: Series production

Note: 1,EUT is the abbreviation of equipment under test.

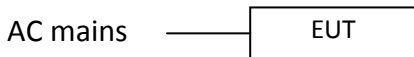
2.2. Detail models

Model	Rating	Note
VAN-AS-XXXXXXXXXX	AC120V 60Hz	X can be any character or blank for commercial use only

Note: These models of circuits are similar.

2.3. Block diagram EUT configuration for test

For EUT ON mode:



2.4. Test environment conditions

During the measurement the environmental conditions were within the listed ranges:

Temperature range:	21-25°C
Humidity range:	40-75%
Pressure range:	86-106kPa

2.5. Measurement uncertainty

Test Item	Uncertainty
Uncertainty for Conduction emission test	3.2dB
Uncertainty for Radiation Emission test	4.6 dB (Polarize: V)
	4.6 dB (Polarize: H)

Note: This uncertainty represents an expanded uncertainty expressed at approximately the 95% confidence level using a coverage factor of k=2.

2.6. Laboratory accreditation

The test facility is recognized, certified, or accredited by the following organizations:

CNAS-LAB CODE: L13476

Dongguan New Testing Centre Co., Ltd. has been assessed and proved to be in compliance with CNAS-CL01 Accreditation Criteria for Testing and Calibration Laboratories (identical to ISO/IEC 17025: 2005 General Requirements) for the Competence of Testing and Calibration Laboratories.

A2LA-LAB CERT. NO. 5426.01

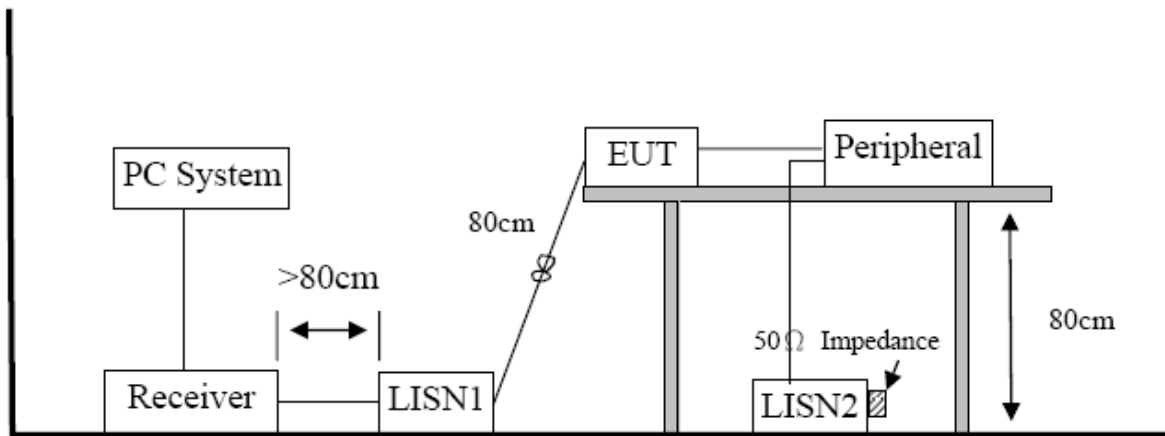
Dongguan New Testing Centre Co., Ltd, EMC Laboratory has been accredited by A2LA for technical competence in the field of electrical testing, and proved to be in compliance with ISO/IEC 17025: 2005 General Requirements for the Competence of Testing and Calibration Laboratories and any additional program requirements in the identified field of testing.

3. Power Line Conducted Emission Test

3.1. Test equipment

Item	Equipment	Manufacturer	Model No.	Serial No.	Last Cal.	Cal. Interval
1	Test Receiver	R&S	ESPI	100146	2022-05-20	1 Year
2	LISN	R&S	ENV216	3650.6550.06	2022-05-20	1 Year
3	LISN	R&S	ENV4200	1107.2387.04	2022-05-20	1 Year
4	RF Cable	HUBER	SUCOFLEX100	30722/4E	2021-05-21	2 Year
5	MEASUREMENT SOFTWARE	FARAD	EZ-EMC(VER:1.1.4.2)	N/A	N/A	N/A

3.2. Block diagram of test setup



3.3. Power Line Conducted Emission Limits (Class B)

Frequency		Quasi-Peak Level dB(μV)	Average Level dB(μV)
150kHz	~ 500kHz	66 ~ 56*	56 ~ 46*
500kHz	~ 5MHz	56	46
5MHz	~ 30MHz	60	50

Note 1: * Decreasing linearly with logarithm of frequency.

Note 2: The lower limit shall apply at the transition frequencies.

3.4. Test Procedure

The EUT and Support equipment, if needed, were put placed on a non-metallic table, 80cm above the ground plane.

Configuration EUT to simulate typical usage as described in clause 2.3 and test equipment as described in clause 3.2 of this report.

All I/O cables were positioned to simulate typical actual usage as per ANSI C63.4.

All support equipment power received from a second LISN.

Emissions were measured on each current carrying line of the EUT using an EMI Test Receiver connected to the LISN powering the EUT.

The Receiver scanned from 150 kHz to 30MHz for emissions in each of the test modes.

During the above scans, the emissions were maximized by cable manipulation.

The test mode(s) described in clause 2.3 were scanned during the preliminary test.

After the preliminary scan, we found the test mode producing the highest emission level.

The EUT configuration and worse cable configuration of the above highest emission levels were recorded for reference of the final test.

EUT and support equipment were set up on the test bench as per the configuration with highest emission level in the preliminary test.

A scan was taken on both power lines, Neutral and Line, recording at least the six highest emissions. Emission frequency and amplitude were recorded into a computer in which correction factors were used to calculate the emission level and compare reading to the applicable limit.

The test data of the worst-case condition(s) was recorded.

The bandwidth of test receiver is set at 9 KHz.

3.5. Test Result

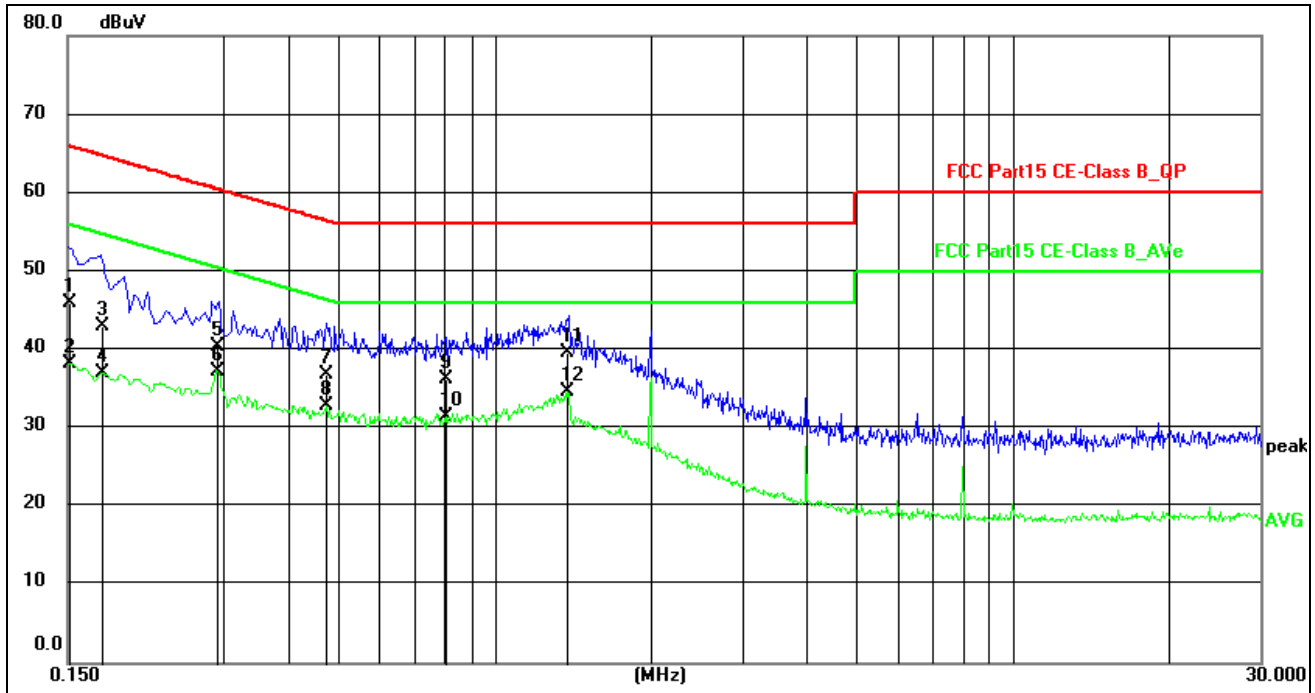
PASS. (See below detailed test result)

Note1: All emissions not reported below are too low against the prescribed limits.

Note2: "-----" means Peak detection; "-----" means Average detection.

Note3: Measurement = Reading Level + Factor, Margin= Measurement-Limit.

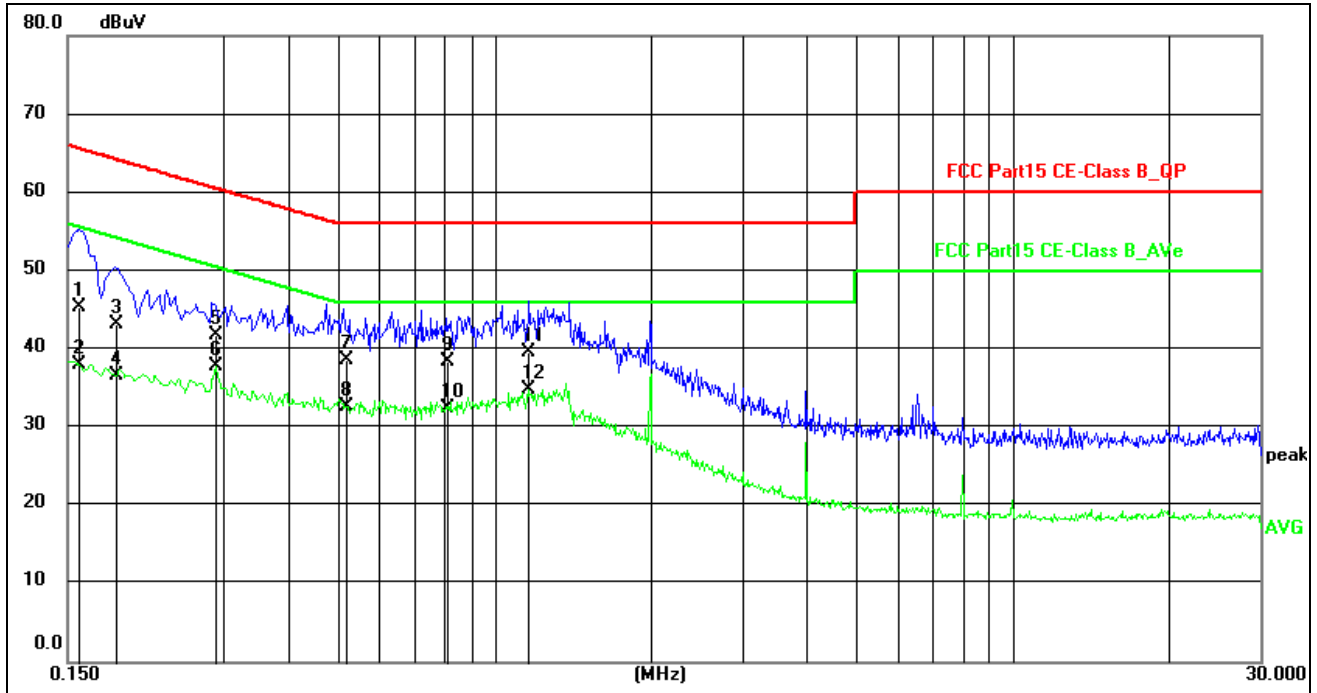
Conducted Emission Test Result



Site:	844LAB	Phase: L1	Temperature(C):25(C)
Limit:	FCC Part15 CE-Class B_QP		Humidity(%):64%
EUT:	Led Wall Lamp	Test Time:	2023/3/29 9:48:39
M/N.:	VAN-AS	Power Rating:	AC120V/60Hz
Mode:	Lighting	Test Engineer:	
Note:			

No.	Frequency (MHz)	Reading Level(dBuV)	Factor (dB)	Measurement(dBuV)	Limit (dBuV)	Margin (dB)	Detector	Comment
1	0.1514	34.80	11.14	45.94	65.92	-19.98	QP	
2	0.1514	26.99	11.14	38.13	55.92	-17.79	AVG	
3	0.1740	31.90	11.14	43.04	64.77	-21.73	QP	
4	0.1740	25.90	11.14	37.04	54.77	-17.73	AVG	
5	0.2917	29.29	11.16	40.45	60.48	-20.03	QP	
6	0.2917	26.04	11.16	37.20	50.48	-13.28	AVG	
7	0.4719	25.65	11.20	36.85	56.48	-19.63	QP	
8	0.4719	21.68	11.20	32.88	46.48	-13.60	AVG	
9	0.8030	25.00	11.25	36.25	56.00	-19.75	QP	
10	0.8030	20.21	11.25	31.46	46.00	-14.54	AVG	
11	1.3800	28.43	11.23	39.66	56.00	-16.34	QP	
12*	1.3800	23.47	11.23	34.70	46.00	-11.30	AVG	

*:Maximum data x:Over limit !:over margin



Site:	844LAB	Phase:	N	Temperature(C):	25(C)
Limit:	FCC Part15 CE-Class B_QP	Test Time:	2023/3/29 9:54:14	Humidity(%):	64%
EUT:	Led Wall Lamp	Power Rating:	AC120V/60Hz	Test Engineer:	
M/N.:	VAN-AS	Note:			
Mode:	Lighting				

No.	Frequency (MHz)	Reading Level(dBuV)	Factor (dB)	Measurement(dBuV)	Limit (dBuV)	Margin (dB)	Detector	Comment
1	0.1578	34.23	11.15	45.38	65.58	-20.20	QP	
2	0.1578	26.85	11.15	38.00	55.58	-17.58	AVG	
3	0.1858	32.01	11.16	43.17	64.22	-21.05	QP	
4	0.1858	25.44	11.16	36.60	54.22	-17.62	AVG	
5	0.2889	30.61	11.23	41.84	60.56	-18.72	QP	
6	0.2889	26.67	11.23	37.90	50.56	-12.66	AVG	
7	0.5169	27.22	11.31	38.53	56.00	-17.47	QP	
8	0.5169	21.33	11.31	32.64	46.00	-13.36	AVG	
9	0.8088	27.08	11.24	38.32	56.00	-17.68	QP	
10	0.8088	21.24	11.24	32.48	46.00	-13.52	AVG	
11	1.1620	28.42	11.23	39.65	56.00	-16.35	QP	
12*	1.1620	23.52	11.23	34.75	46.00	-11.25	AVG	

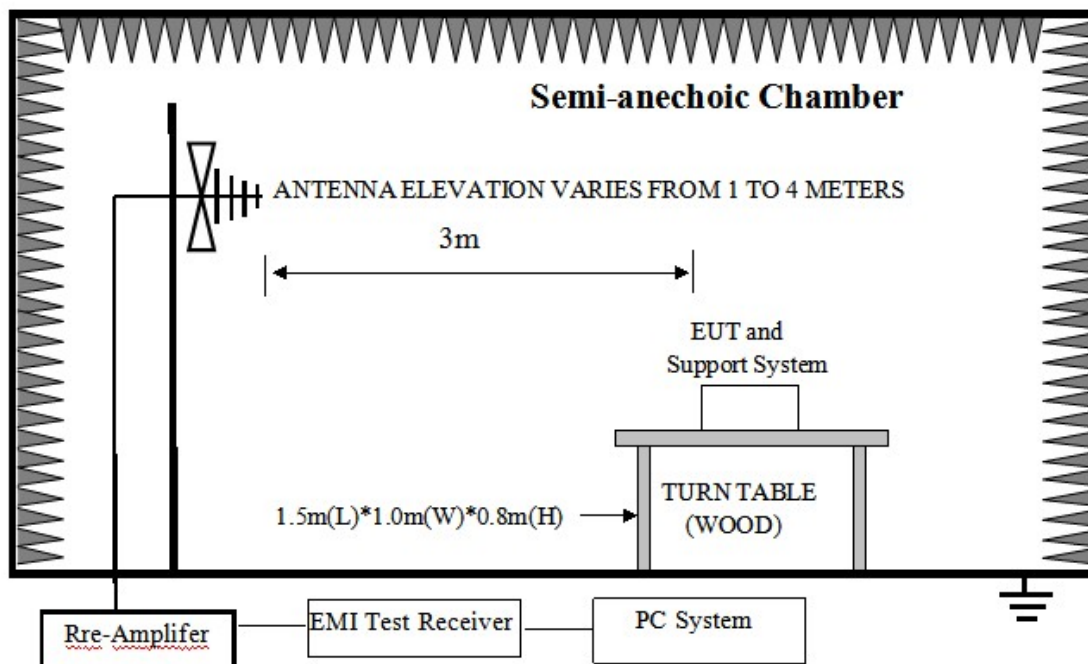
*:Maximum data x:Over limit !:over margin

4. Radiated emission test

4.1. Test equipment

Item	Equipment	Manufacturer	Model No.	Serial No.	Last Cal.	Cal. Interval
1	EMI TEST RECEIVER	R&S	ESR	7250-304067 528	2022-05-20	1 Year
2	TRILOG BROADBAND ANTENNA	Schwarzbeck	VULB9168	00969	2021-01-10	2 Year
3	PRE-AMPLIFIER	R&S	8447F	3113A04553	2022-05-20	1 Year
4	RF CABLE	GORE	OSQ01Q0107 8.7	SN15458474	2021-05-21	2 Year
5	RF CABLE	ESCO	ETS-LINGREN	RFC-SMS-100- SMS-340-IN	2021-05-21	2 Year
6	MEASUREMENT SOFTWARE	FARAD	EZ-EMC(VER:1 .1.4.2)	N/A	N/A	N/A

4.2. Block diagram of test setup



4.3. Radiated emission limit (Class B)

Frequency (MHz)	Distance (Meters)	Field Strengths Limits dB(μ V)/m
30--88	3	40.0
88--216	3	43.5
216--960	3	46.0
960--1000	3	54.0

Note: (1) The smaller limit shall apply at the cross point between two frequency bands.

(2) Distance is the distance in meters between the measuring instrument, antenna and the closest point of any part of the device or system.

4.4. Test Procedure

Procedure of Preliminary Test

The EUT and Support equipment, if needed, were put placed on a non-metallic table, 80cm above the ground plane.

Configuration EUT to simulate typical usage as described in clause 2.3 and test equipment as described in clause 4.2 of this report.

All I/O cables were positioned to simulate typical actual usage as per ANSI C63.4.

Mains cables, telephone lines or other connections to auxiliary equipment located outside the test are shall drape to the floor, be fitted with ferrite clamps or ferrite tubes placed on the floor at the point where the cable reaches the floor and then routed to the place where they leave the turntable. No extension cords shall be used to mains receptacle.

The antenna was placed at 3 meters away from the EUT as stated in ANSI C63.4. The antenna connected to the Spectrum Analyzer via a cable and at times a pre-amplifier would be used.

The Analyzer / Receiver quickly scanned from 30MHz to 1000MHz. The EUT test program was started. Emissions were scanned and measured rotating the EUT to 360 degrees and positioning the antenna 1 to 4 meters above the ground plane, in both the vertical and the horizontal polarization, to maximize the emission reading level.

The test mode(s) described in clause 2.3 were scanned during the preliminary test:

After the preliminary scan, we found the test mode producing the highest emission level. The EUT and cable configuration, antenna position, polarization and turntable position of the above highest emission level were recorded for the final test.

Procedure of Final Test

EUT and support equipment were set up on the turntable as per the configuration with highest emission level in the preliminary test.

The Analyzer / Receiver scanned from 30MHz to 1000MHz. Emissions were scanned and measured rotating the EUT to 360 degrees, varying cable placement and positioning the antenna 1 to 4 meters above the ground plane, in both the vertical and the horizontal polarization, to maximize the emission reading level.

Recorded at least the six highest emissions. Emission frequency, amplitude, antenna position, polarization and turntable position were recorded into a computer in which correction factors were used to calculate the emission level and compare reading to the applicable limit and only Q.P. reading is presented.

The test data of the worst-case condition(s) was recorded.

The bandwidth setting of the test receiver is 120 kHz.

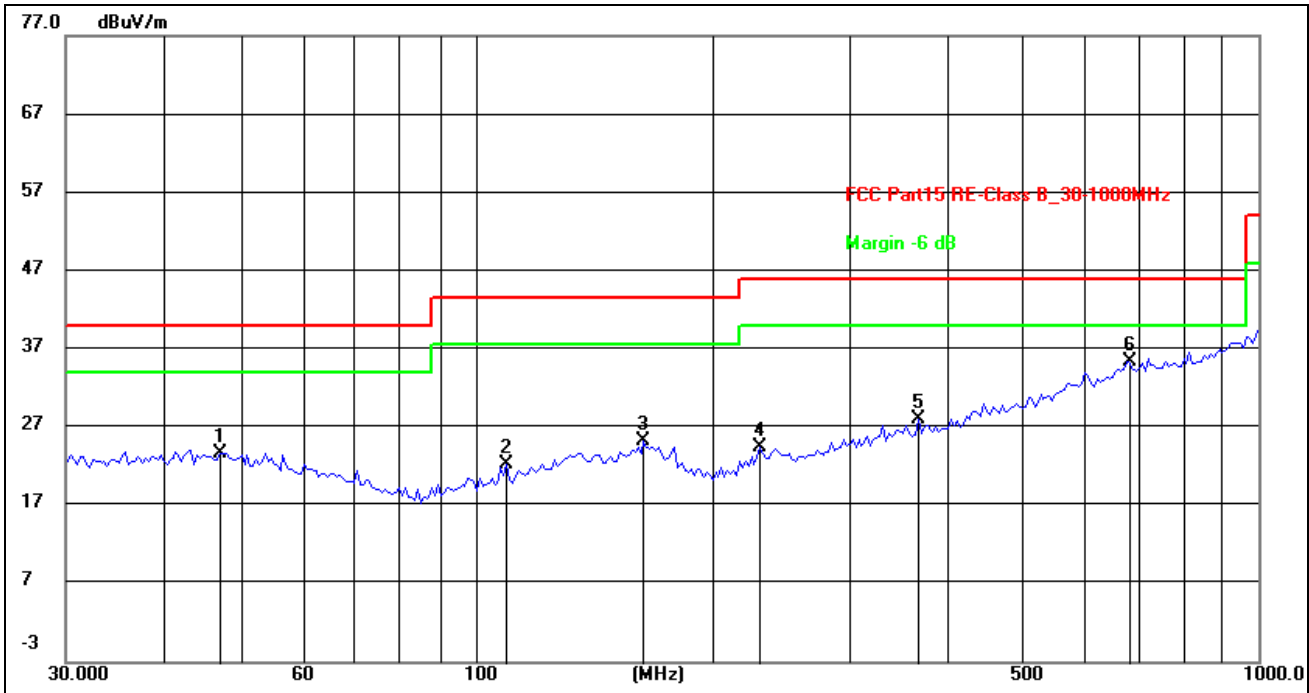
4.5. Test result

PASS. (See below detailed test result)

Note1: All emissions not reported below are too low against the prescribed limits.

Note2: Result Level = Reading Level + Antenna Factor + Cable Loss, Margin= Level-Limit.

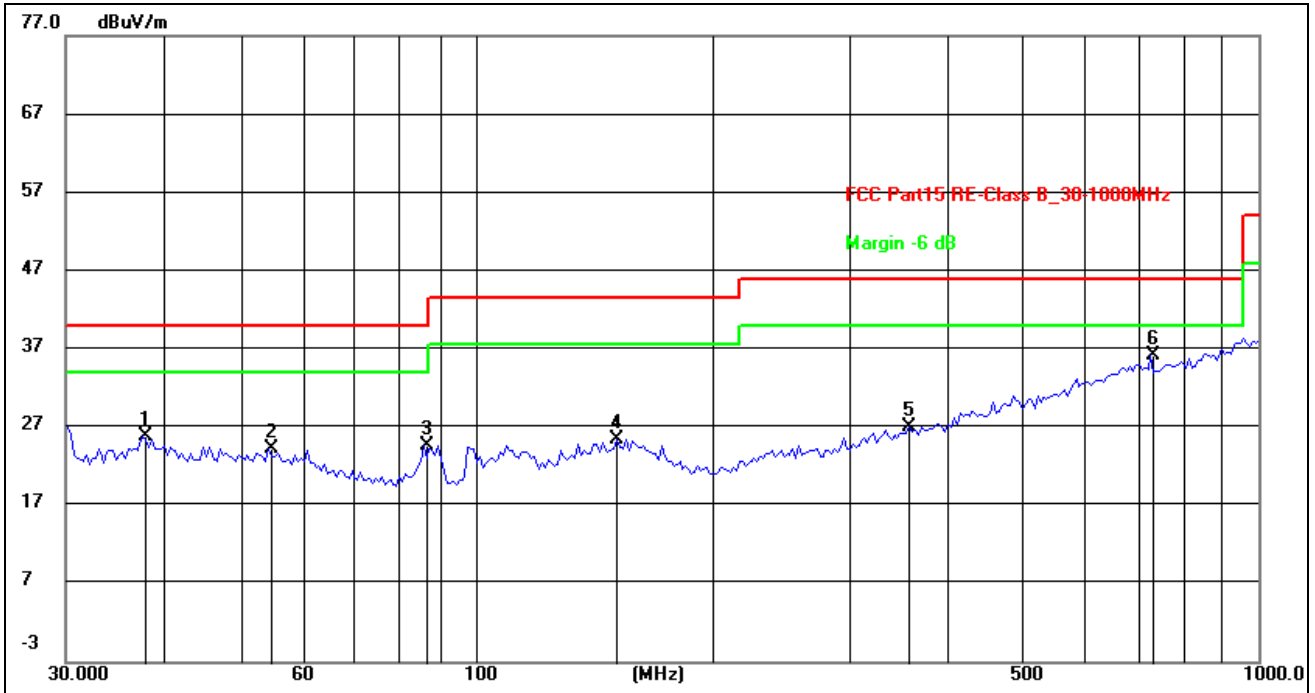
Radiated Emission Test Result



Site:	966LAB	Antenna::	Horizontal	Temperature(C):	24(C)
Limit:	FCC Part15 RE-Class B_30-1000MHz			Humidity(%):	60%
EUT:	Led Wall Lamp	Test Time:	2023/3/22 10:15:01		
M/N.:	VAN-AS	Power Rating:	AC 120V/60Hz		
Mode:	Lighting	Test Engineer:			
Note:					

No.	Frequency (MHz)	Reading (dBuV)	Factor (dB/m)	Level (dBuV/m)	Limit (dBuV/m)	Margin (dB)	Det.	Height (cm)	Azimuth (deg)	Remark
1	47.3255	9.48	14.26	23.74	40.00	-16.26	peak	100	110	
2	109.7959	10.69	11.66	22.35	43.50	-21.15	peak	100	267	
3	164.3301	10.55	14.69	25.24	43.50	-18.26	peak	200	356	
4	231.3119	11.56	12.84	24.40	46.00	-21.60	peak	200	189	
5	368.1116	11.96	16.06	28.02	46.00	-17.98	peak	200	356	
6 *	679.9600	13.17	22.29	35.46	46.00	-10.54	peak	100	167	

*:Maximum data x:Over limit !:over margin



Site:	966LAB	Antenna::	Vertical	Temperature(C):	24(C)
Limit:	FCC Part15 RE-Class B_30-1000MHz			Humidity(%):	60%
EUT:	Led Wall Lamp	Test Time:	2023/3/22 10:17:34		
M/N.:	VAN-AS	Power Rating:	AC 120V/60Hz		
Mode:	Lighting	Test Engineer:			
Note:					

No.	Frequency (MHz)	Reading (dBuV)	Factor (dB/m)	Level (dBuV/m)	Limit (dBuV/m)	Margin (dB)	Det.	Height (cm)	Azimuth (deg)	Remark
1	37.6798	11.62	14.36	25.98	40.00	-14.02	peak	200	4	
2	54.4516	10.28	13.96	24.24	40.00	-15.76	peak	100	291	
3	85.8984	14.34	10.35	24.69	40.00	-15.31	peak	100	143	
4	151.8632	9.97	15.46	25.43	43.50	-18.07	peak	200	205	
5	358.5568	11.26	15.84	27.10	46.00	-18.90	peak	100	12	
6 *	729.3583	13.35	22.89	36.24	46.00	-9.76	peak	100	315	

*:Maximum data x:Over limit !:over margin

5. Test setup photograph

5.1 Photos of power line conducted emission test



5.2 Photos of radiated emission test



6. Photos of the EUT

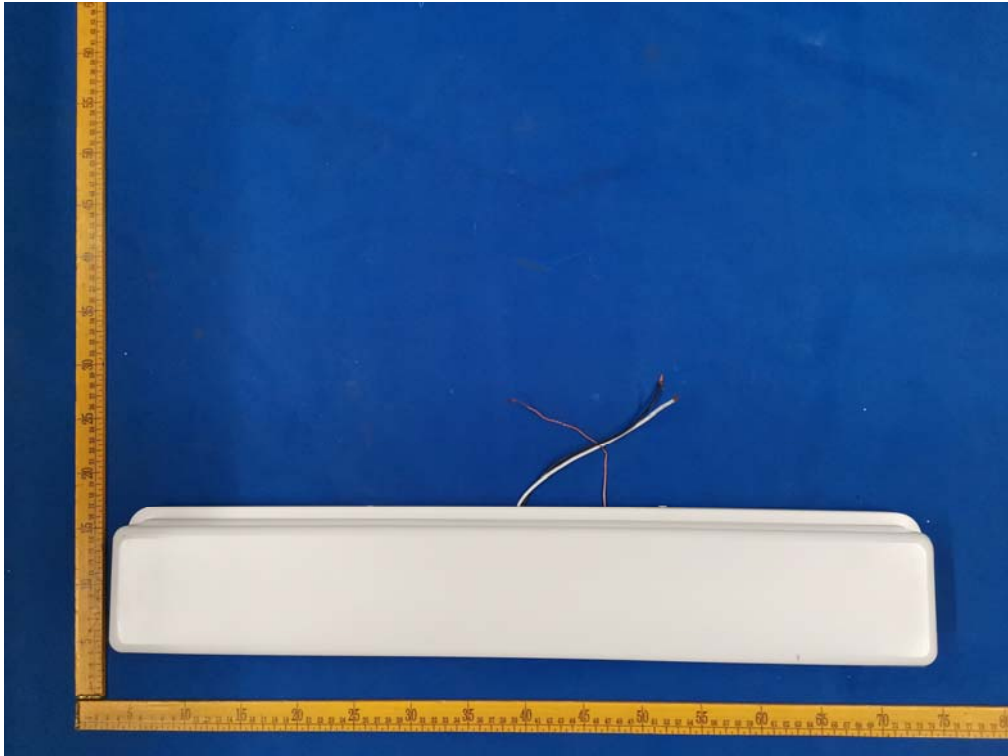


Fig.1 (Model:VAN-AS)

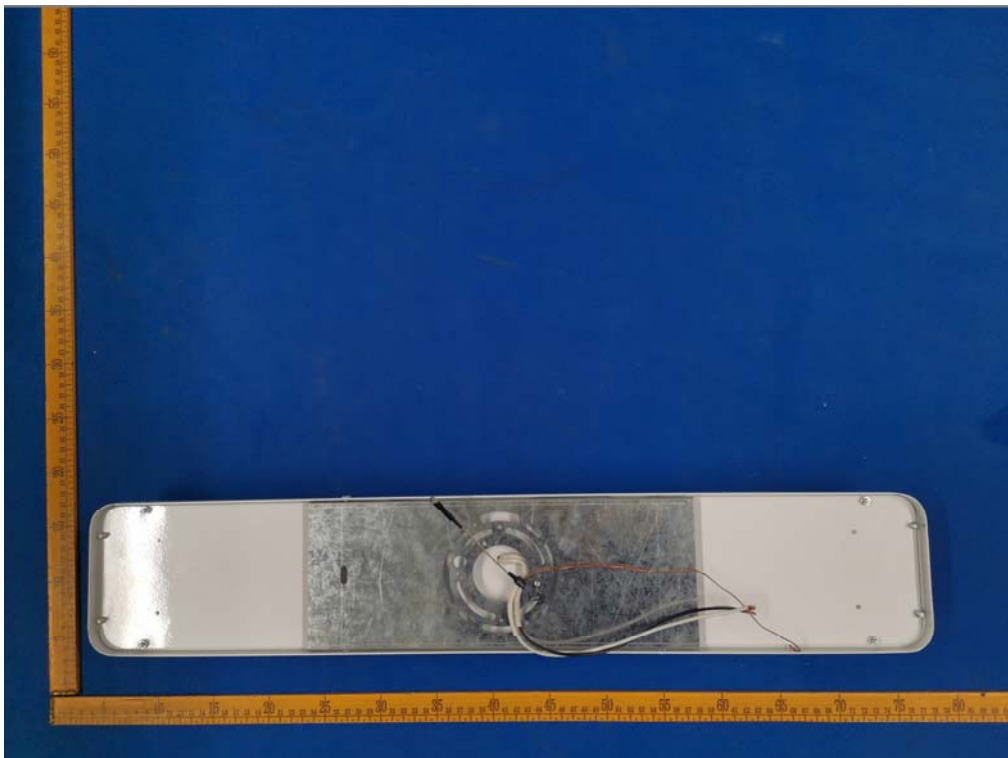


Fig.2 (Model:VAN-AS)

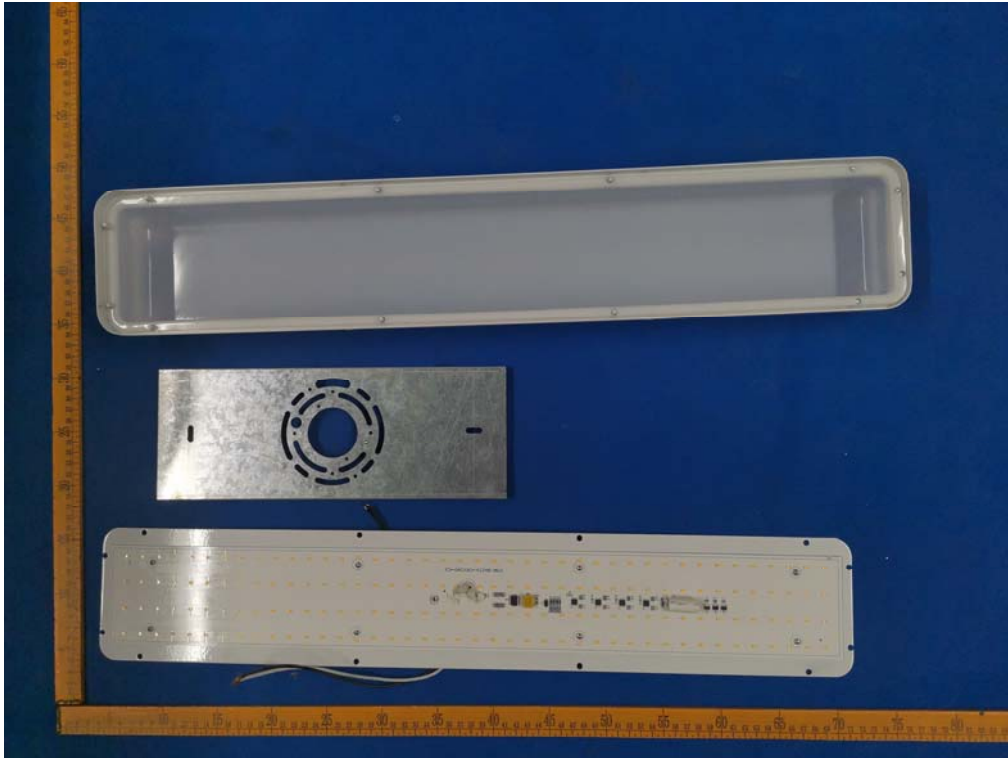


Fig.3 (Model:VAN-AS)

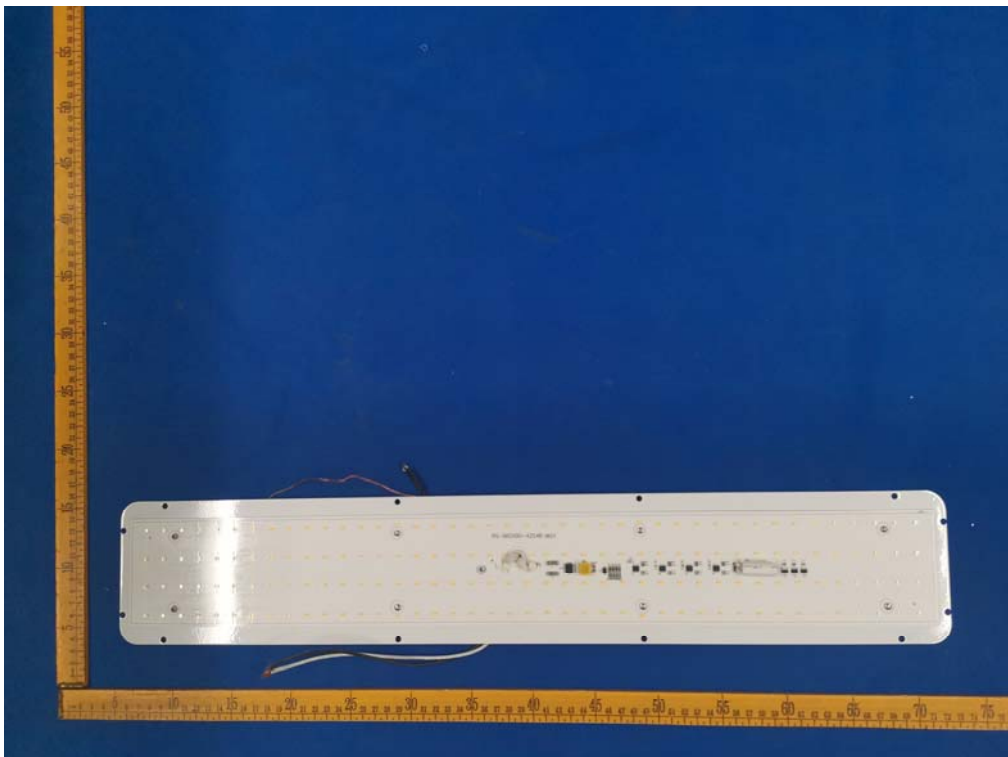


Fig.4 (Model:VAN-AS)

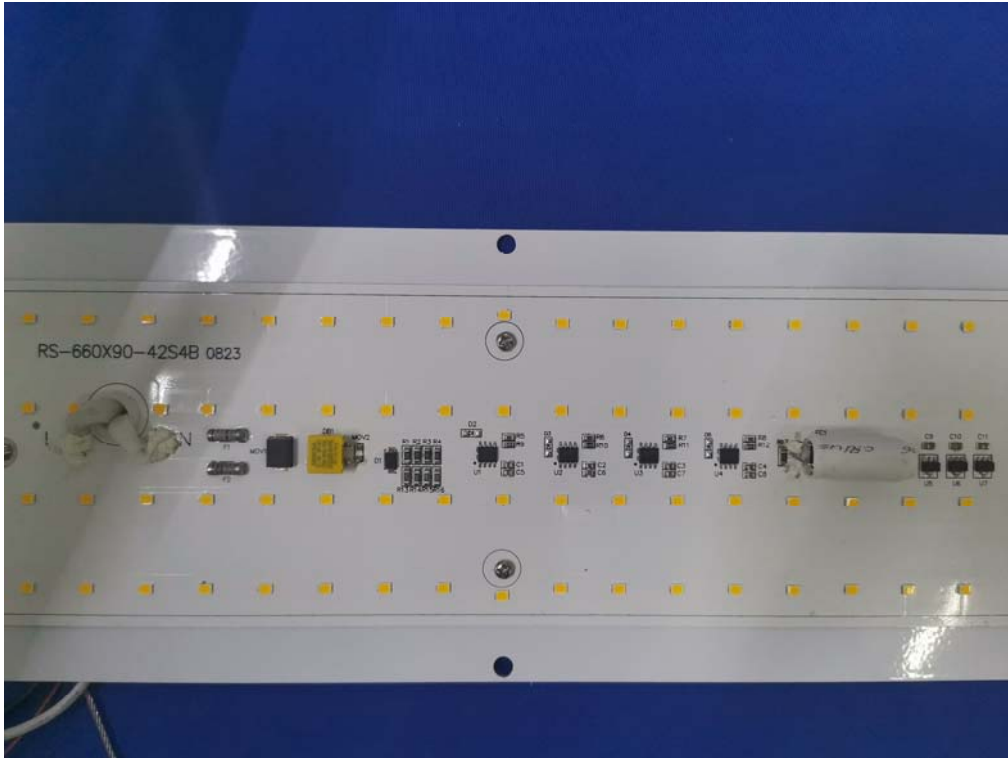


Fig.5 (Model:VAN-AS)



Fig.6 (Model:VAN-AS)

Appendix I

Regulatory Statement and Label Marking Advice for the FCC SDoC

1. Marking Suggested for the label:

Trade Name and model number

This device complies with Part 15 of the FCC Rules. Operation is subject to the following two conditions: (1) this device may not cause harmful interference, and (2) this device must accept any interference received, including interference that may cause undesired operation.

2. Statement suggested for the User Manual:

Warning: Changes or modifications to this unit not expressly approved by the party responsible for compliance could void the user authority to operate the equipment.

Notes: This equipment has been tested and found to comply with the limits for a Class B digital device, pursuant to Part 15 of the FCC Rules. These limits are designed to provide reasonable protection against harmful interference in a residential installation. This equipment generates uses and can radiate radio frequency energy and, if not installed and used in accordance with the instructions, may cause harmful interference to radio communications.

However, there is no guarantee that interference will not occur in a particular installation. If this equipment does cause harmful interference to radio or television reception, which can be determined by turning the equipment off and on, the user is encouraged to try to correct the interference by one or more of the following measures:

- Reorient or relocate the receiving antenna.
- Increase the separation between the equipment and receiver.
- Connect the equipment into an outlet on a circuit different from that to which the receiver is connected.
- Consult the dealer or an experienced radio/TV technician for help.

Note: If shielded cables or special accessories are required for compliance, a statement must be included which instructs the user to employ them, for example, Shielded cables must be used with this unit to ensure compliance with the Class B FCC limits.

--END OF REPORT--