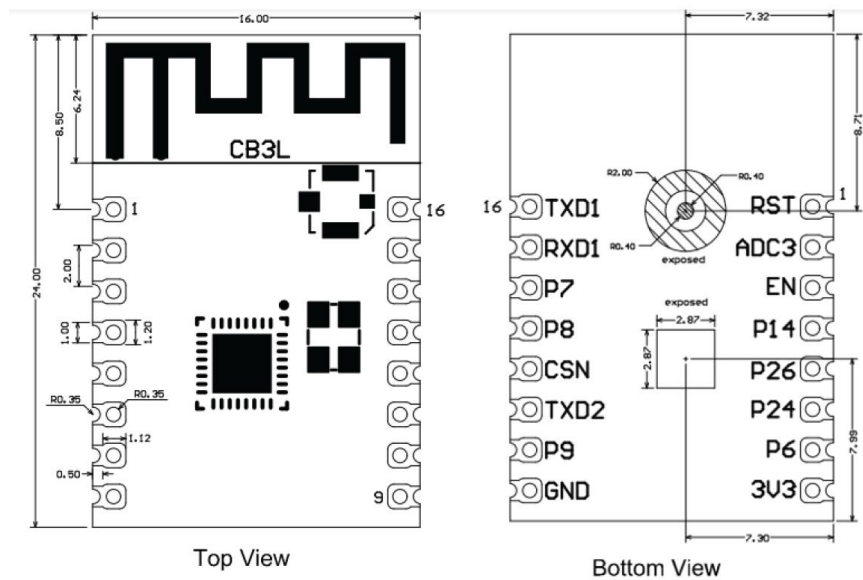


Specification

1.Parameters:

Item	Specifications	
Antenna	Frequency Range	2405MHz-2480MHz
	Polarization	Linear
	Peak Gain	2.4 dBi
	V.S.W.R	<2.0
	Impedance	50 Ω
	Rerurn Loss	-10DB
	Connector	PCB (On Board)
	Efficiency	25%MAX
Environmental	Operating Tempetature	-40℃ -+150℃

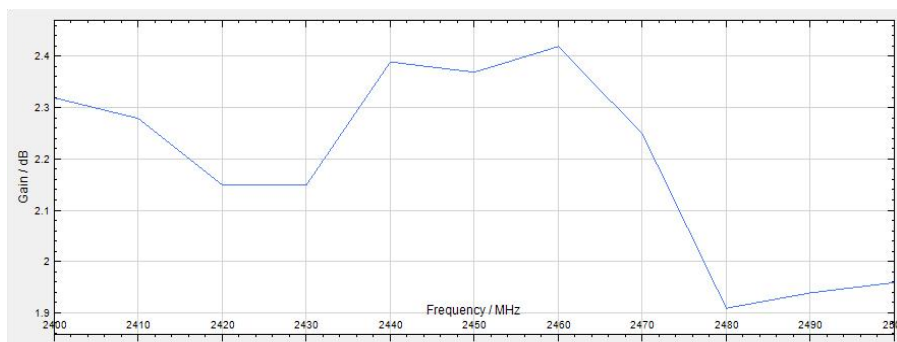
2.Dimension:



3.

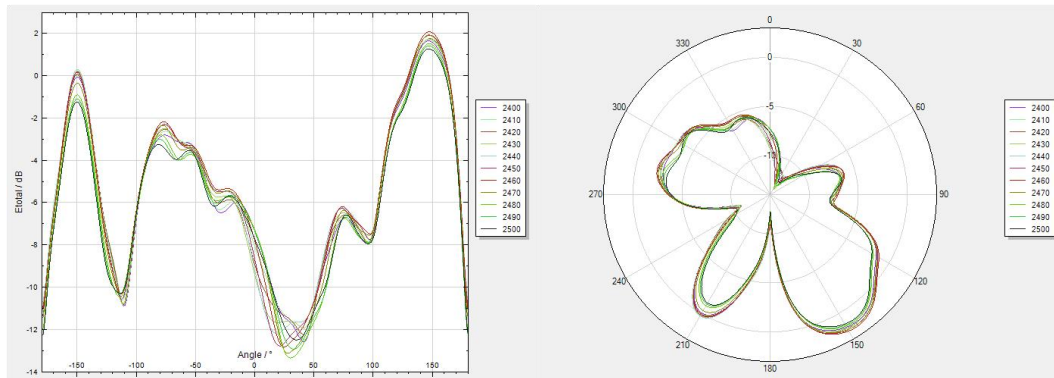
Manufacturer:	Ningbo Shenghe Lighting Co., Ltd.
Address:	No.311 Penglai Road, Economic Developing Zone, Xiangshan, Ningbo, Zhejiang Province 315700, P.R.China
Model No.:	SH-01

4.Gain curve:

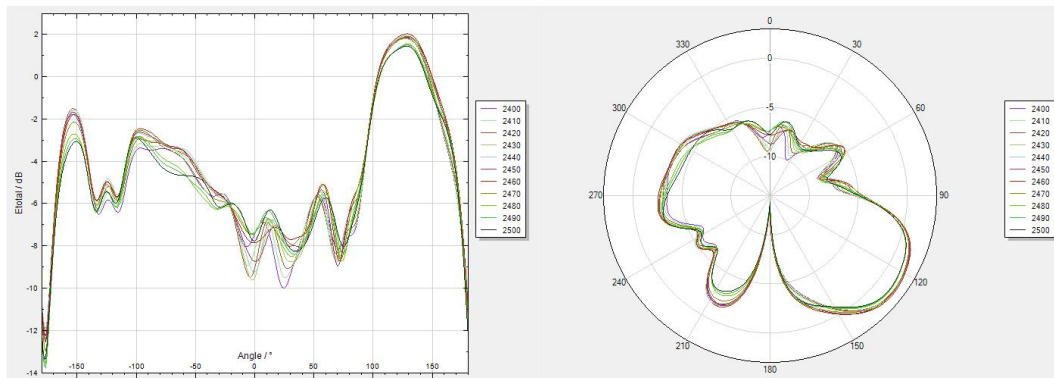


5. Antenna pattern:

a. Phi 0 2D:



b. Phi 90 2D:



c. Theta 90 2D:

