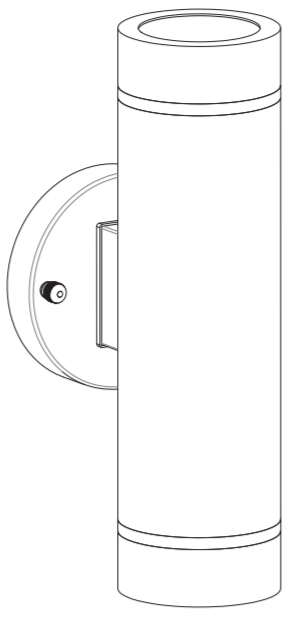


Origin 21. ITEM #4145448

Origin 21® is a registered trademark of U.S. LLC. All Rights Reserved.

**ALLEDALE™
LED WALL SCONCE**
MODEL # OLT-C7C-L2BL
ATTACH YOUR RECEIPT HERE



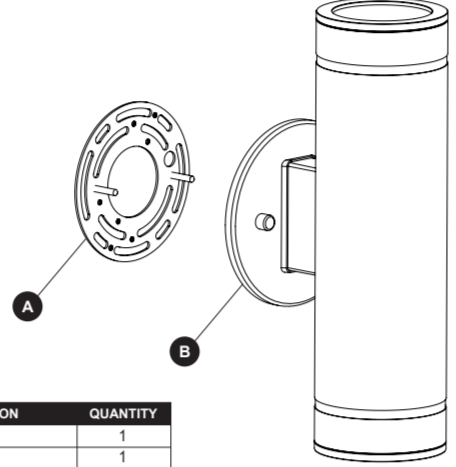
Serial Number _____ Purchase Date _____

Questions, problems, missing parts? Before returning to your retailer, call our customer service department at 1-866-439-9800, 8 a.m. - 8 p.m., EST, Monday - Sunday. You could also contact us at partsplus@lives.com or visit www.livespartsplus.com.

XXXXXX

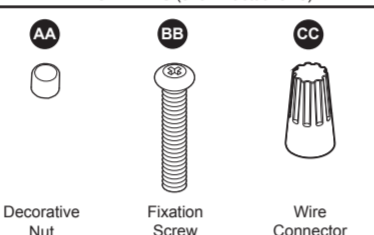
1

PACKAGE CONTENTS



PART	DESCRIPTION	QUANTITY
A	Mounting bracket	1
B	LED wall sconce	1

HARDWARE CONTENTS (shown actual size)



Decorative Nut Qty: 2 Fixation Screw Qty: 2 Wire Connector Qty: 3

3

SAFETY INFORMATION

Please read and understand this entire manual before attempting to assemble, operate or install the product.

WARNING

- Risk of electrical shock. Switch off the main electrical supply from the fuse box/circuit breaker before installing the unit or doing any maintenance.
- Do not use outdoors.

USA (FCC)

- Changes or modifications to this unit not expressly approved by the party responsible for compliance could void the user's authority to operate the equipment.
- This device complies with Part 15 of the FCC Rules. Operation is subject to the following two conditions:
 1. This device may not cause harmful interference, and
 2. This device must accept any interference received, including interference that may cause undesired operation.

NOTICE

This equipment has been tested and found to comply with the limits for Class B digital device, pursuant to part 15 of the FCC Rules. These limits are designed to provide reasonable protection against harmful interference in a residential installation. This equipment generates, uses and can radiate radio frequency energy and, if not installed and used in accordance with the instructions, may cause harmful interference to radio or television reception. However, there is no guarantee that interference will not occur in a particular installation. If this equipment causes harmful interference to radio or television reception, which can be determined by turning the equipment off and on, the user is encouraged to try to correct the interference by one or more of the following measures:

- Reorient or relocate the receiving antenna.
- Increase the separation between the equipment and the receiver.
- Connect the equipment into an outlet on a circuit different from that to which the receiver is connected.
- Consult the dealer or an experienced radio/TV technician for help.

Canada IC

Operation is subject to the following two conditions:

1. this device may not cause interference, and
2. this device must accept any interference, including interference that may cause undesired operation of the device.

CAUTION

- If using a dimmer, it must be LED compatible.

IMPORTANT

The installer and/or user must read, understand and follow these instructions before installing the product. The product must be properly installed before it is used. If instructions are not followed, the manufacturer will not be held responsible for any problems or product malfunctions. Failure to follow installation and/or operating instructions voids the warranty. We recommend that this product be installed by a certified electrician. In some states or provinces, it is a legal requirement for this type of product to be installed by a certified electrician, according to the electrical and building codes effective in the region where the unit is used.

KEEP THESE INSTRUCTIONS FOR FUTURE REFERENCE.

5

PREPARATION

Before beginning assembly of product, make sure all parts are present. Compare parts with package contents list and hardware contents list. If any part is missing or damaged, do not attempt to assemble the product.

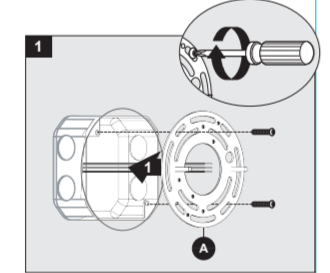
Turn off power at the circuit breaker and the light switch. Ensure the power is off before removing the old light fixture.

Estimated Assembly Time: XX minutes

Tools Required for Assembly (not included): Screwdriver, Silicone-based sealant.

ASSEMBLY INSTRUCTIONS

1. Center and place the mounting bracket (A) over the existing junction box opening. Make sure mounting bracket (A) is oriented as shown.



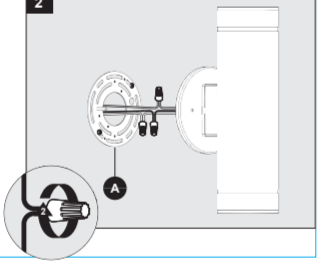
Hardware Used

BB Fixation screw x 2

WIRING INSTRUCTIONS

2. Clip LED wall sconce (B) to mounting bracket (A) and then connect wiring as shown. (Note: Back wire ground). Secure connections with a wire connector (C,C).

Place LED wall sconce (B) over mounting bracket flanges.



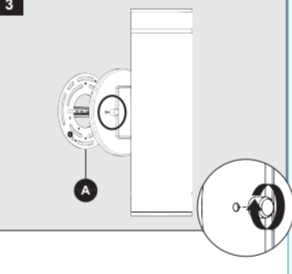
Hardware Used

CC Wire connector x 3

6

FINAL INSTALLATION

3. Secure LED wall sconce (B) with two decorative nuts (AA). Make sure all wiring and wiring connectors fit inside LED wall sconce (B) base.



Hardware Used

AA Decorative nut x 2

7

CARE AND MAINTENANCE

- Ensure power is off before cleaning. Clean with a mild glass cleaner and soft cloth.
- Apply liquid cleaner to cloth. Do not spray fixture itself.
- Do not attempt to replace LEDs.

WARRANTY

This product is covered by a three (3) year limited warranty on manufacturing defects from the date of purchase for residential use only. If within this period the product is found to be defective in material or workmanship, contact our customer service department at 1-866-439-9800. The warranty is extended to the original owner in USA and Canada and is non-transferable. This warranty is valid only on products installed in accordance with the building code and laws effective in the region where the unit is used as well as in accordance with the provided instruction manual. It does not cover products installed incorrectly or subjected to abnormal use. The warranty does not cover handling, labor, transportation, or any other cost associated with the installation or replacement of the product. This limited warranty is valid in the country of purchase only. The manufacturer will not be held responsible for any direct or consequential damages or injuries related to the use of this product arising from improper use or installation of this product.

8