

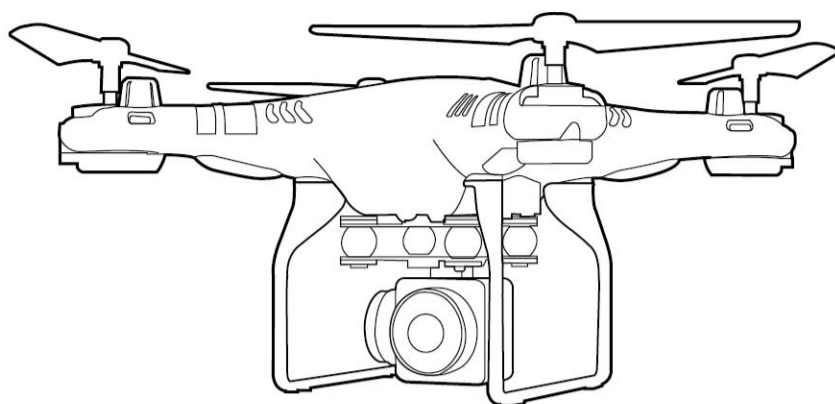


AGES 14+

FLY X5



4CH 2.4G REMOTE CONTROL QUADCOPTER 四通道遥控六轴飞行器



INSTRUCTION MANUAL 使用說明手册

主要特性 MAIN CHARACTERISTICS

- 采用四轴结构, 使飞行器动作更为灵活, 迅猛, 具有较强的抗风性, 可在室内或室外飞行。
Four-axis structure is applied, which makes the quadcopter more flexible and rapid when flying. It has the characteristics of wind-resistant and can be filed indoor or outdoor
- 内置六轴陀螺仪稳定器, 可保证空中精准定位。
Built-in 6 axis gyroscope for precise hovering in the sky
- 结构采用模块化设计, 安装简单, 维修方便。
Modular design structure is applied, more simple for assembly and convenient for maintenance.
- 具有360° 3D翻滚功能和抛掷功能。(选配)
With 360° 3D eversion function and throwing flight function (optional)
- 无头模式功能, WIFI实时传输航拍(选配)
Added headless function/WIFI real-time aerial photo (optional)

安全守则 MAIN CHARACTERISTICS

1. 请将飞行器较小零部件放置小孩不能触及的地方, 避免发生意外。
Please put smaller parts of the aircraft in the place where children can't reach, avoiding from accidents
2. 本飞行器动力十足, 首次飞翔时应慢慢推高遥控器左手变速操作杆, 避免飞行器急速上升而导致碰撞摔坏。
Power of this aircraft is adequate. Therefore, when flying for the first time, is should push remote control's right/left variable-speed joystick slowly, avoiding from collisions caused by rising aircraft rapidly.
3. 飞行结束后, 应先关闭遥控器电源, 再走近飞行器关闭飞行器电源。
After flying, it should turn off remote control's power supply and come close to the aircraft to turn off its power supply.
4. 切勿将电池放在高温、受热的地方(如火中或电热装置附近)。
Please don't put battery in high-temperature and heated places(such as fire or nearby electric heating devices).
5. 注意飞行器飞行时与使用者或其他人保持2-3米的距离, 避免飞行器飞行降落时撞向他人的头部、脸部或身体等。
When the aircraft flies, it should maintain 2-3 meters from the user or others, avoiding from crashing into other's head, face or body when it lands.
6. 儿童操控飞行器时应由成年人在旁指导并确保飞行器控制在操纵者(或指导者)的视线范围内, 方便控制。
When children operate the aircraft, they should be accompanied with the adult and guided by the adult. Ensure that the aircraft is controlled within the range of operator's(or instructor's) visibility. It is convenient for controlling.
7. 非充电电池不可充电, 安装或更换电池时请注意极性: 不可混用新旧或不同类型的电池。
Non-rechargeable battery can't charge. As installing or changing battery, please pay attention to the polarity. Don't use a mixture of old and new battery or battery with different types.
8. 不使用时应关闭遥控器及飞行器电源, 并取出遥控器内的电池。
When it isn't used, it should turn off remote power supply of remote control and aircraft, respectively, and take out the battery in remote control.

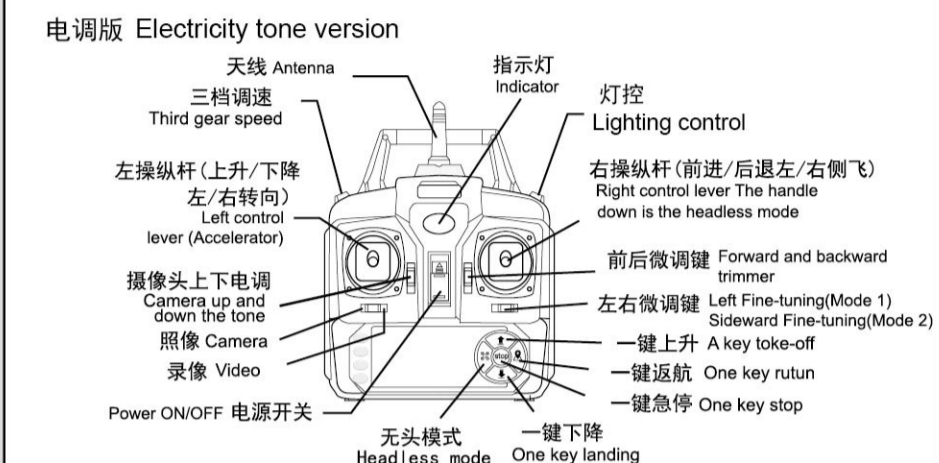
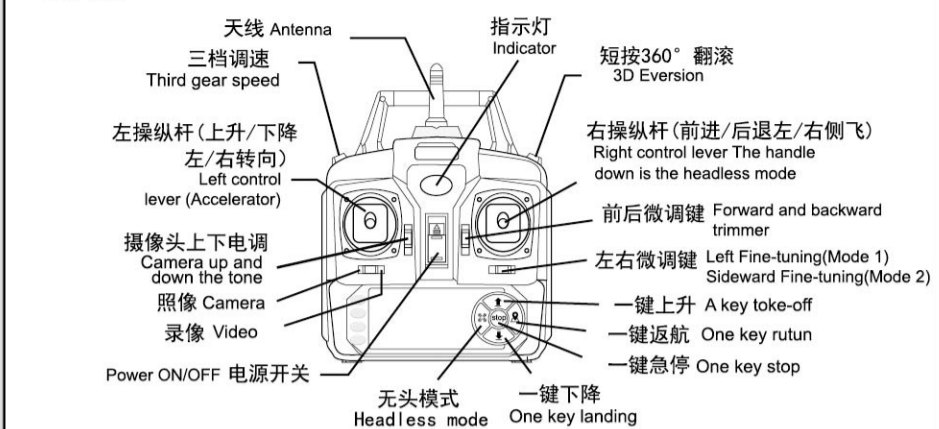
保养及维护 MAINTENANCE

1. 常用干净软布清洁此产品。
Use clean soft cloth to clean this product frequently.
2. 避免此产品在阳光暴晒或受热。
Avoid from exposure or heating in the sun.
3. 切勿将此玩具浸在水中, 否则会令电子零件受损。
Don't put the toy in the water. Otherwise, it'll damage electronic parts.
4. 定期检查插头及其它配件, 如发现任何损坏, 请马上停止使用, 直到完全修复。
Please check the plug and other accessories at regular intervals. If there is any damage, please stop using it immediately until it is repaired completely.

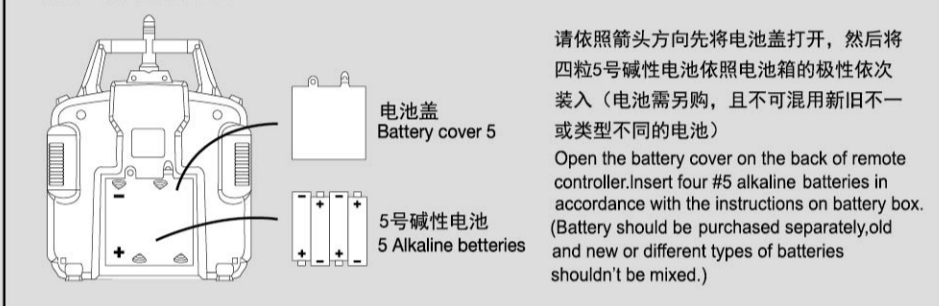
-1-

了解你的遥控器 GET TO KNOW YOUR TRANSMITTER

遥控器按键功能介绍 Introduction of transmitter: 定高版 Fixed version



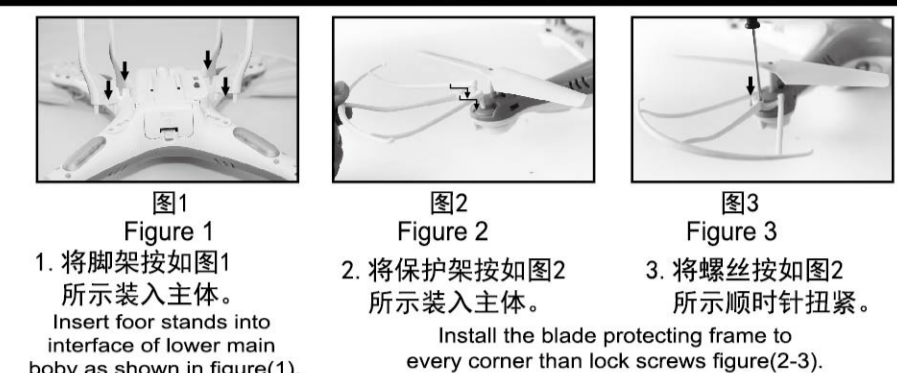
遥控器电池安装: Assembled remote controller



-2-

1. 装电池时必须认准正负极与电池盒正负极, 切勿混装。
Install batteries with correct polarity. Do not mix old and new batteries.
2. 请勿混用新旧电池。
Do not mix different types of batteries.
3. 请勿混用不同种类的电池。

飞行器脚架与保护圈安装步骤 INSTALL LADING SKIDS & BLDAE PROTECTING FRAME

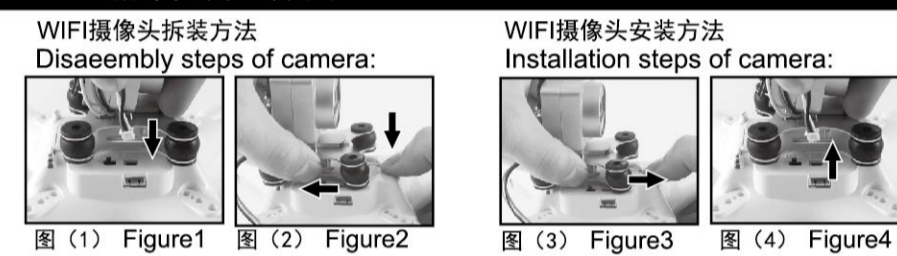


WIFI 实时传输航拍组件安装 COMPONENT INSTALLATION OF WIFI REAL-TIME AERIAL PHOTO

手机固定安装 Installation of photo attaching clamp:



WIFI 摄像头拆装方法 WIFI INSTALL CAMERA

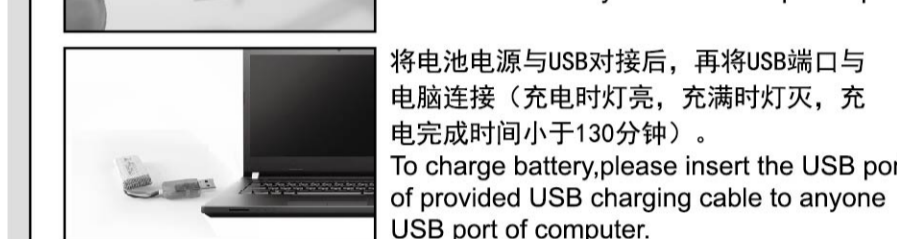
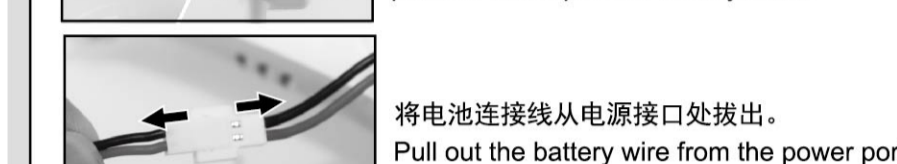
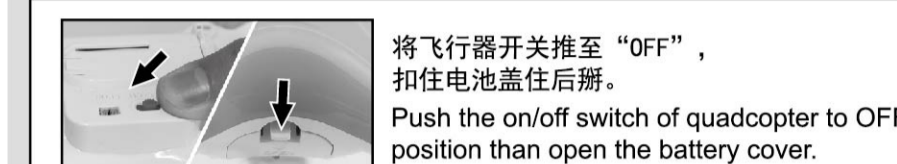


-3-

1. 如图1将三线插头从下主体上的摄像头连接口拔出。
Pull out power supply cable the camera as shown in Figure(1).
2. 如图2用力压上下主体的安全口, 同时将摄像头往后拉出。
Press safe lock of lower main body forcibly and pull back the camera simultaneously.
3. 如图3将摄像头对准下主体的接口往内推。
Push the camera in place as shown in Figure(3).
4. 如图4将三线插头插入从下主体上的摄像头连接口。
Connect connecting line of camera with power supply socket of fuselage's camera as shown in Figure(4).



飞行器电池更换及充电方法: CHAGE BATTERY OF QUADCOPTER



The indicator on USB cable will light ON during charging battery, than it will light OFF when battery fully charged. Caution: when using the computer for charging, please remember to pull out the charging cable before shutting down the computer, take the battery cover, and close the battery cover on the quadcopter.

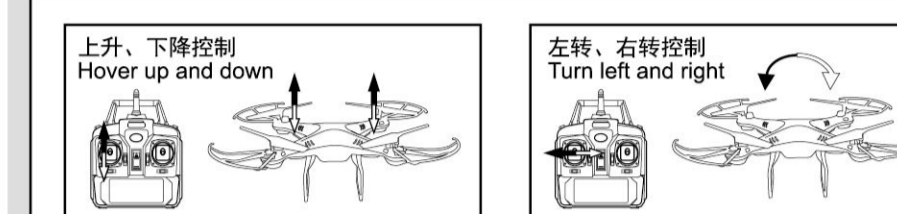
充电注意事项 CHARGING PRECAUTIONS

充电时注意以下事项 Cautions when charging:

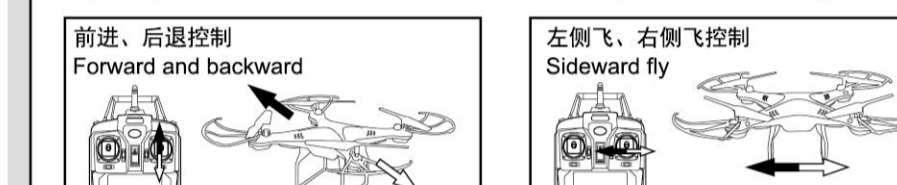
-4-

- 切勿把电池放在高温受热的地方, 如火或电热装置, 否则会损坏或爆炸。
When charging, please put this product on a dried or ventilated area and keep it far away from heat source or explosive product.
- 充电时人员切勿离开, 以免发生意外。
When charging, please remove the batteries from the quadcopter. Then charging process should be supervised by an adult so as not to cause an accident.
- 飞行完后, 电池过热, 切勿立即充电, 否则会引发火灾危险。
When finish flying, please do not charge the battery if the surface temperature is still not cool, otherwise it may cause a swollen battery or even a fire hazard.
- 请以原厂USB充电, 当电池使用一段时间后会膨胀, 这时要更换掉。
Please make sure that you use the original USB charging cable provided, when the battery has been used for a long time, or appears to be swollen, please replace them.
- 当电池长时间不用时会失去电荷, 从而减少使用的时间寿命。
A battery when not in use for a long time will lose its charge automatically. charging or discharging too often may reduce the life of the battery.

控制飞行示意图 CONTROL DIAGRAMS OF FLIGHT



当左操作杆(油门)向上或向下推, 飞行器相应上升或下降。
Push the throttle up or down, the quadcopter flies upward or downward.



当右操作杆(转向舵)向上或向下推, 飞行器相应向前或向后移动。
Push the direction lever up or down, the quadcopter flies forward or backward.

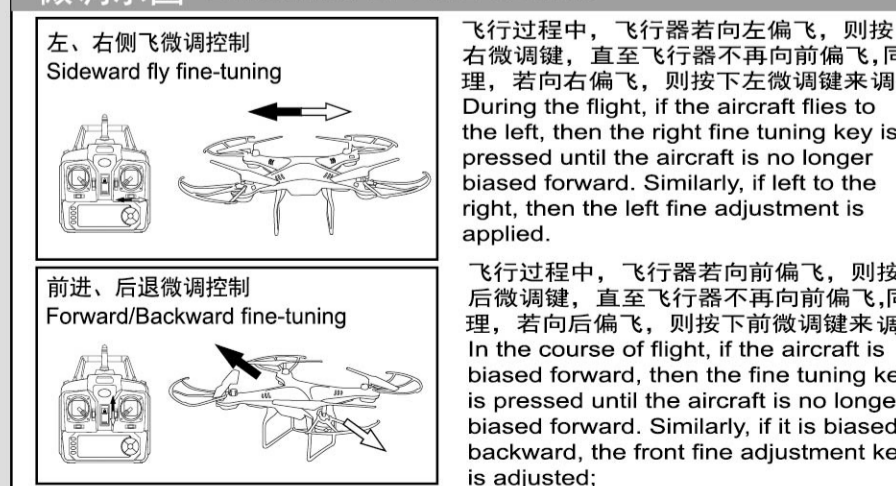
温馨提示: 出厂时默认为对中 Warm prompt: the factory default is on

-5-

功能介绍 FUNCTION INTRODUCTION

- 一. 飞行器对频 Aircraft pair frequency
当飞行器上的指示灯由快闪变慢闪时, 将遥控器油门推到最高点再复位到最低点, 此时飞行器预备飞状态。Push the throttle lever to the highest position, and then pull it back to the lowest position there will be one clear sound from the transmitter, this shows that the quadcopter has entered into the pre-fly state.
- 二. 水平校正功能 Horizontal correcting function:
将遥控器左摇杆拉至右下方, 右摇杆拉至左下方, 飞机灯光闪烁数秒后恢复常亮, 即校正完成。
Pull the left rocker of the remote control to the lower right, pull the right rocker to the left bottom, and the aircraft lights flicker after several seconds to resume the normal light, that is, the calibration is completed
- 三. 低压保护 Low-voltage protection:
当飞行器上的四个指示灯开始闪烁时, 表示飞行器的电量不足, 请马上控制飞行器返航。
When four indicator lights on the bottom of aircraft start to flicker, it means electric quantity of the aircraft is insufficient, please control the aircraft to make a return voyage.
- 四. 过流保护 Over-current protection:
当飞行器上机头在旋转的状态下, 受到碰撞或卡住时, 飞行器电路进行过流保护。
In the condition of rotating aircraft's fan blade, when being crashed or stuck, aircraft's circuit will conduct over-current protection.

微调示意图 DIAGRAMS OF FINE-TUNING



-6-

一. 无头功能 Headless function:

1. 定义前方 Forward defition
打开遥控器电源开关
Turn on power switch of remote control.
将飞行器接上电源后将开关拨至“NO”位置, 调整飞行器机头所指方向为无头状态下的正前方。After aircraft connects with power supply, place the switch in "ON" position, adjust the direction pointed by aircraft's handpiece and regard it as the dead ahead in headless situation.
将遥控器的油门推杆推致最高处后再拉回最低处, 当遥控器长鸣一声表示对频和定义方向功能已完成。Push the accelerator's push rod of remote control to the highest point and pull back to the lowest point. When remote control pops, it indicates that frequency modulation and forward definition have already finished.
在无头状态下, 操控者无需去辨认飞行器机头位置, 只需根据遥控器的操纵杆方向来控制飞行器。In headless state, the operator has no need to recognize the position of aircraft's headpiece, and he just needs to control the aircraft in accordance with the direction of remote control's operating rod.

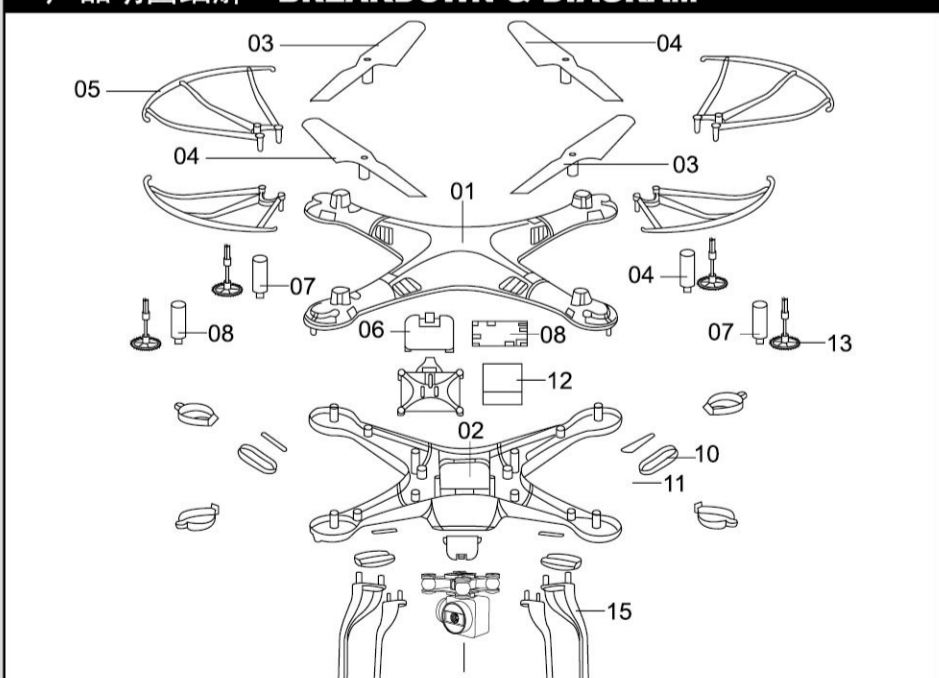
2. 切换无头功能和普通功能: Switch to headless function and general function

当飞行器对频后, 飞行器默认认为普通模式, 此时飞行器上的指示灯为长亮状态, 当长按住遥控器的无头功能切换键2秒后, 遥控器发出“滴滴滴...”声响表示进入无头模式, 长按2秒听到“滴”长声响为退出无头状态。无头模式下, 飞行器上的四个灯为慢闪。
After frequency modulation, the aircraft defaults to general pattern. The indicator light on aircraft is long bright state. After pressing down headless function switch on the top right of master remote controller for 2 seconds, remote control will give out "DDD", it means that it enters into headless state. After pressing for 2 seconds and hearing long "D", it means that it flicks slowly for once (within four seconds)

-7-

在无头状态下, 操控者无需去辨认飞行器机头位置, 只需根据遥控器的操纵杆方向来控制飞行器。
In headless state, the operator has no need to recognize the position of aircraft's headpiece, and he just needs to control the aircraft in accordance with the direction of remote control's operating rod.

产品明图细解 BREAKDOWN & DIAGRAM



编号 Code	产品名称 Description	数量 Quantity	编号 Code	产品名称 Description	数量 Quantity
01	上主体 Upper body	1	09	接收板 Receiver board	1
02	下主体 Lower body	1	10	灯罩 Lampshades	4
03	正转主风叶 Rotating blade	2	11	灯条 Light boards	4
04	反转主风叶 Reversing blade	2	12	电池 Battery	1
05	防护架 Protecting frames	4	13	齿轮 Gear	4
06	电机盖 Motor cover	1	14	摄像头 Camera	1
07	正转主电机 Rotating motor	2	15	脚架 Landing skids	2
08	反转主电机 Reversing motor	2			

-8-

检修程序 MAINTENANCE PROCEDURE

检修程序 Problems	原因 Causes	解决方法 Solutions
飞行器没有反应 Aircraft has no response	1. 飞行器进入低压保护 2. 遥控器电量不足, 电源指示灯会闪烁。 3. 遥控器的通道选择与飞行器对码不一致。 1. Aircraft enters into low-voltage protection. 2. Electric quantity of remote control is insufficient, power indicator light will flicker. 3. Channel selection of remote control is inconsistent with aircraft's match codes.	1. 对飞行器进行充电。 2. 更换遥控器电池。 3. 调整遥控器飞行通道, 使其一致。 1. Charge the aircraft. 2. Change remote control's battery. 3. Adjust channels of remote control and aircraft, and make them become consistent.
飞行器飞行反应不灵敏 Aircraft's flying response is insensitive	1. 遥控器电量不足。 2. 有相同频率的遥控器在发射干扰。 1. Insufficient remote control's electric quantity. 2. Remote control with the same frequency is transmitting interference	1. 更换电池。 2. 换一个没有相同频率发射干扰的地方。 1. battery replacement. 2. Change the place where has no transmitting interference of the same frequency.
悬停时往一边侧飞 When hovering, side flight is formed	没有水平校正 Have no horizontal correction	重新水平校正, 详情见9页3点(水平校正功能) conduct horizontal correction, as shown in P10(3) (correcting function)
无头状态下正前方偏向 In headless state, it deviates to dead ahead	多次碰撞造成头偏 Head deflection is caused by multiple collisions.	重新定义前方, 详情见8页3点(无头功能) Define forward again, as shown in P10(1) (headless function)

-9-

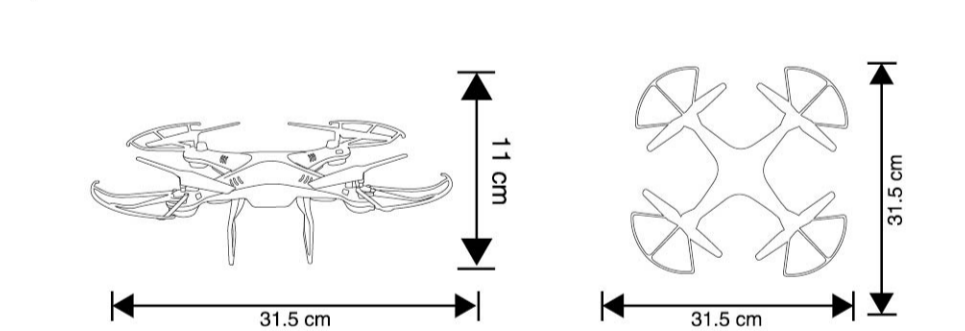
定高版(配件) SPARE PARTS

下列是可供选购的配件, 为方便客户选购, 特出每个部件。配件可通过当地的经销商购买, 购买时请注明颜色。
Here are alternative accessories. In order to provide convenience for customer purchasing every component are marked. Accessories can be purchased from local dealer. Please specify the color when purchasing



-10-

主要参数 MAIN PARAMETER



本公司拥有此说明书的最终解释权
The company has the right of final interpretation of this instruction manual statement.

FCC Statement

This equipment has been tested and found to comply with the limits for a Class B digital device, pursuant to part 15 of the FCC rules. These limits are designed to provide reasonable protection against harmful interference in a residential installation. This equipment generates, uses and can radiate radio frequency energy and, if not installed and used in accordance with the instructions, may cause harmful interference to radio communications. However, there is no guarantee that interference will not occur in a particular installation. If this equipment does cause harmful interference to radio or television reception, which can be determined by turning the equipment off and on, the user is encouraged to try to correct the interference by one or more of the following measures:

- Reorient or relocate the receiving antenna.
- Increase the separation between the equipment and receiver.
- Connect the equipment into an outlet on a circuit different from that to which the receiver is connected.
- Consult the dealer or an experienced radio/TV technician for help.

Responsible for compliance could void the user's authority to operate this equipment. (Example- use only shielded interface cables when connecting to computer or peripheral devices).

Any Changes or modifications not expressly approved by the party responsible for compliance could void the user's authority to operate the equipment.

This equipment complies with Part 15 of the FCC Rules. Operation is subject to the following two conditions:

- (1) This device may not cause harmful interference, and
- (2) This device must accept any interference received, including interference that may cause undesired operation.

FCC Radiation Exposure Statement:

The equipment complies with FCC Radiation exposure limits set forth for uncontrolled environment. This equipment should be installed and operated with minimum distance 20cm between the radiator and your body.