



BRA-02 antenna product manual

Product model

BRA-02 type antenna

Functions and features of the product

Electrical performance: Universal antennas suitable for UHF band RFID applications have the characteristics of high gain and low standing wave.

Mechanical properties: beautiful and small appearance, using waterproof ring and silicone double waterproof design, shell with stiffener design, suitable for various harsh environments.

Main uses and scope of application

BRA-02 antenna can be easily used in UHF band RFID occasions such as access control, warehousing, logistics, and retail

Performance indicators

Frequency range: : 920MHz~925MHz

VSWR: $\leq 1.3:1$

Gain: $> 6\text{dBi}$

H-side HPBW: 90°

E-side HPBW: 90°

Polarization: Circular polarization

humidity: $5\% \sim 95\%$

Input impedance: 50Ω

Mechanical indicators

Size: $128\text{mm} \times 128\text{mm} \times 20\text{mm}$

Weight: 0.3kg (without support)

Materials: Engineering plastics ASA, aluminum

Aluminum color: milky white

Protection level: IP67

Operating temperature: $-40^\circ\text{C} \sim +85^\circ\text{C}$ Storage

temperature: $-40^\circ\text{C} \sim +85^\circ\text{C}$



Figure 1 Actual BRA-02 antenna

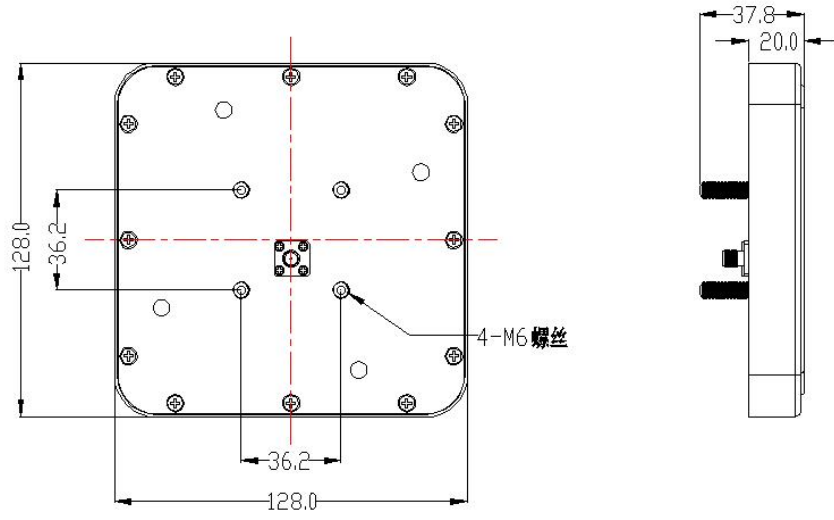
Installation

The BRA-02 antenna can be mounted on a steel frame structure or pillar through its own bracket or user-equipped bracket, and connected to the reader by a coaxial line. The antenna can be installed horizontally or vertically, depending on the mounting orientation of the bracket, and the inclination angle of the antenna can be adjusted according to the actual situation after installation.

The antenna bracket is an option and can be selected according to the customer's needs.

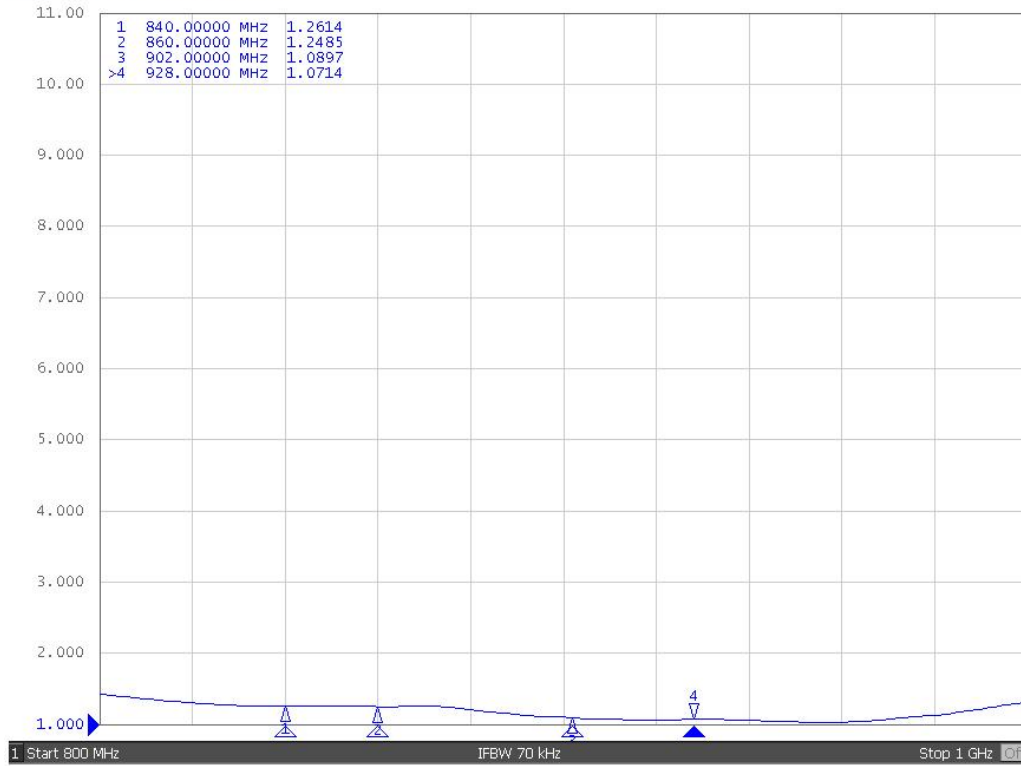


Antenna size:



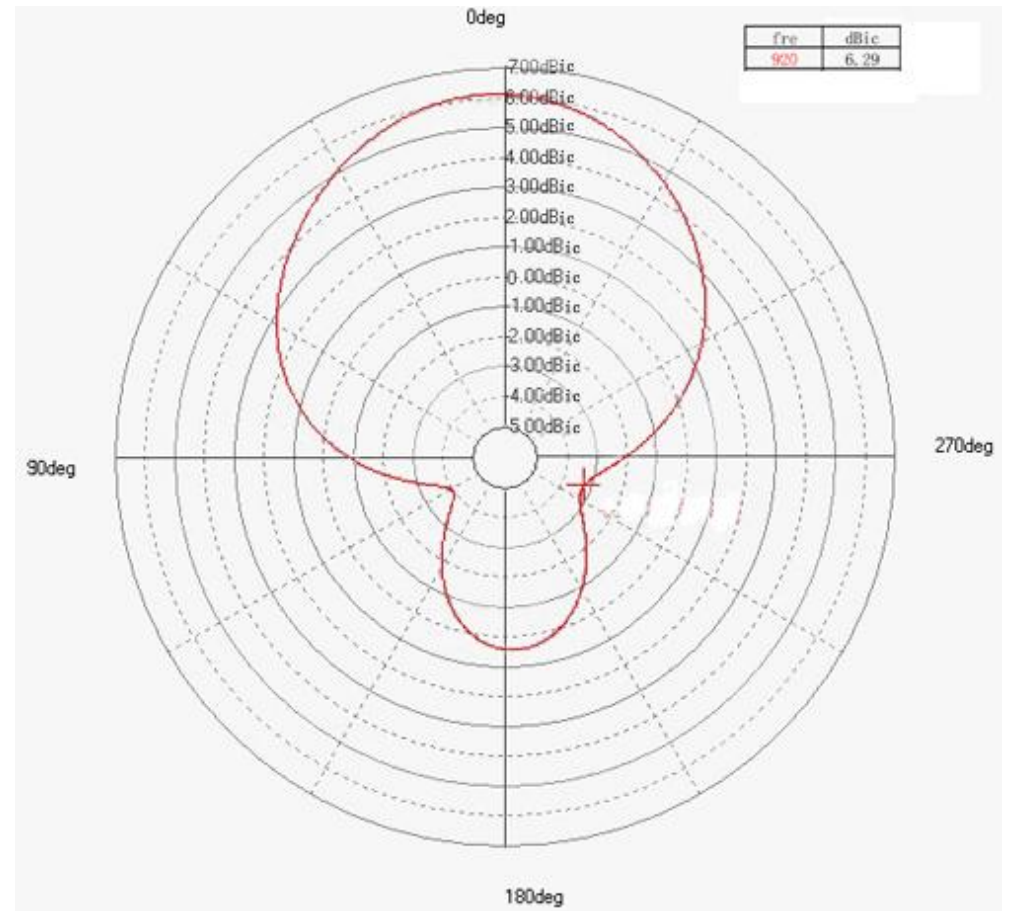


▶ **ITP** S11 SwR 1.000/ Ref 1.000



VSWR test diagram of BRA-02 antenna

Antenna performance diagram



Antenna pattern BRA-02 (two-dimensional pattern, gain display greater than 6 dBic)