

## Zion MANUAL

Version: 1.0  
Last Updated: 01/09/2019  
Approver: FUSQUARE Technology  
Classification: Client Confidential



## 1. INFORMATION CLASSIFICATION

### 1.1 Information Security Classification

This document is classified as Client Confidential. Documents authored by Fusquare Technology can be classified as one of the following:

- “Company Confidential” – for authorised limited internal use only
- “Client Confidential” – information specific to a client, for authorised internal use only
- “Internal Use Only” – non-public information with limited distribution
- “Unclassified” – public documents that can be distributed freely

### 1.2 Version History

| VERSION | DATE       | ACTIONED BY | DESCRIPTION       |
|---------|------------|-------------|-------------------|
| 1.0     | 01/09/2019 | Connor Xian | Document creation |

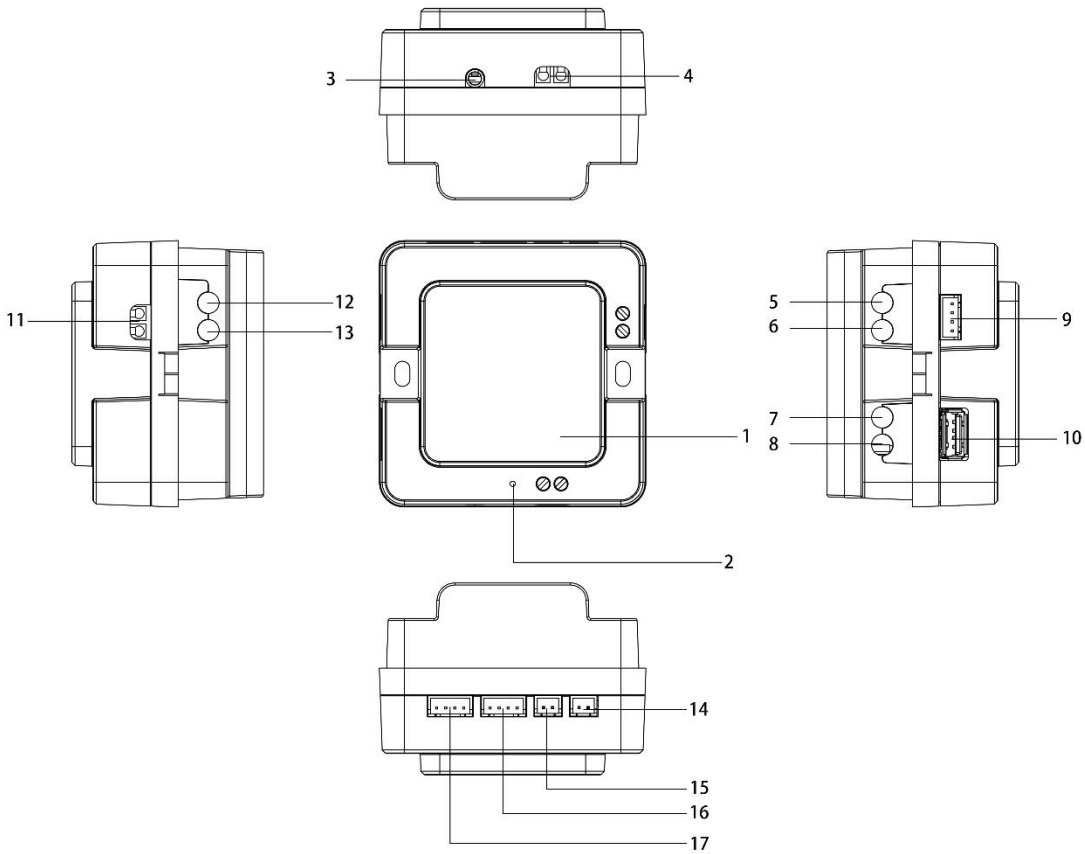
## Contents

|  |   |
|--|---|
| 1. INFORMATION CLASSIFICATION.....           | 2 |
| 1.1 Information Security Classification..... | 2 |
| 1.2 Version History .....                    | 2 |
| 2. description .....                         | 4 |
| 3. Appearance and description.....           | 5 |
| 4. parameters.....                           | 6 |
| 5. Installation.....                         | 7 |
| 6. Notes .....                               | 9 |

## 2. DESCRIPTION

- Zion is designed to connect with your existing equipment and turn it into a smart device via Wi-Fi. It can communicate with the dominant building automation system protocols like Modbus RTU. Zion enables your existing equipment to become part of the IoT network so that you can orchestrate the devices concurrently and carry out different applications with your smartphone.
- While most of the IoT hardware require the rewiring work and considerable installation cost, Zion is designed to be installed directly onto a standard 86mm x 86mm adaptable box, achieving simple one-to-one replacement of traditional control switches like thermostats, lighting and fan switches, which greatly minimized the installation costs and efforts. In addition, Zion supports 220V power input and saves the cost and space required for additional transformer.
- Zion currently supports connecting the following devices to the network:
  - 1) Switch
  - 2) Lighting ( On/Off & 0-10V Dimming )
  - 3) Thermostat
  - 4) Electric Curtain
  - 5) Infrared device
  - 6) Modbus RTU protocol equipment

### 3. APPEARANCE AND DESCRIPTION



- 1) Touch pad & Indicator light
- 2) Hard reset button
- 3) Infrared interface
- 4) DC power input interface
- 5) AC output L3
- 6) AC output L4
- 7) AC power input L
- 8) AC power input N
- 9) Serial interface B
- 10) USB interface
- 11) RS485 interface
- 12) AC output L1
- 13) AC output L2
- 14) NTC10K interface
- 15) PWM interface
- 16) 0-10V Analog output interface
- 17) Serial interface A

## 4. PARAMETERS

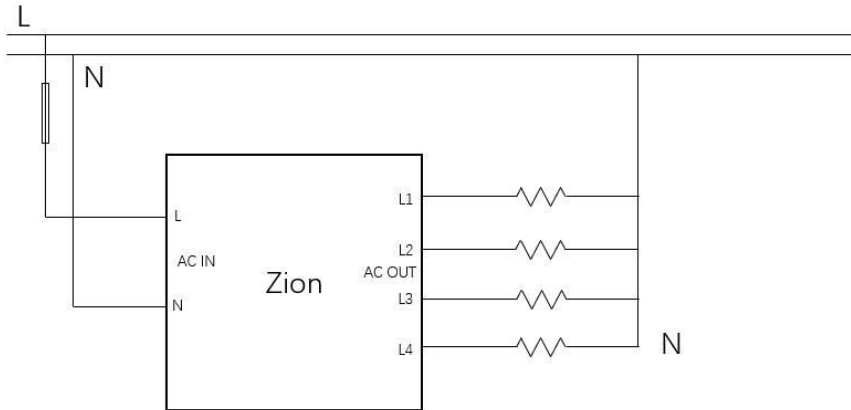
| Name           | Zion   |
|----------------|--|
| Size           | 85 mm x 85 mm x 50 mm                                |
| Frame Color    | White/Silver/Gold                                    |
| Power Input    | 85~230V AC 50-60Hz<br>Or 7-24V DC (Function limited) |
| Max Current    | 16A X 4 ways   |
| Wi-Fi Standard | 802.11b/g/n 2.4GHz                                   |



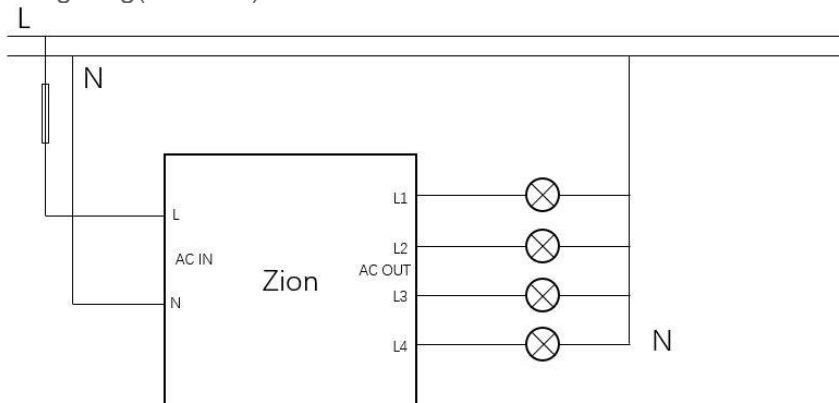
## 5. INSTALLATION



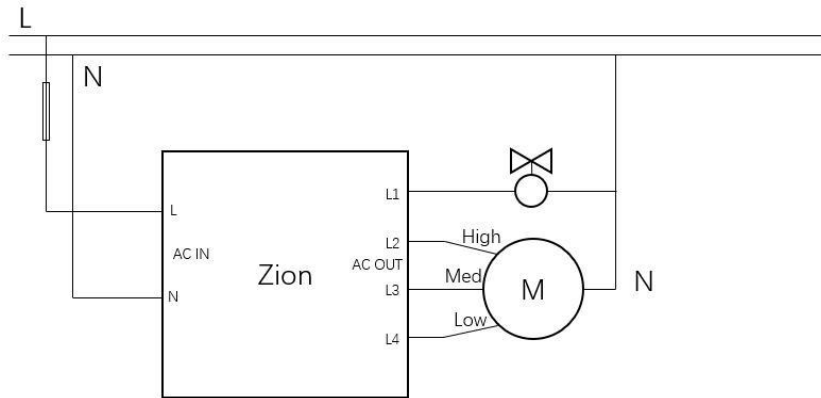
- 1) Download "Fuse2" Application.
  - 2) Login "Fuse2".
  - 3) Wire according to the device type.
    - Note: Professional electrician is required for electrical installation.
- A. Switch



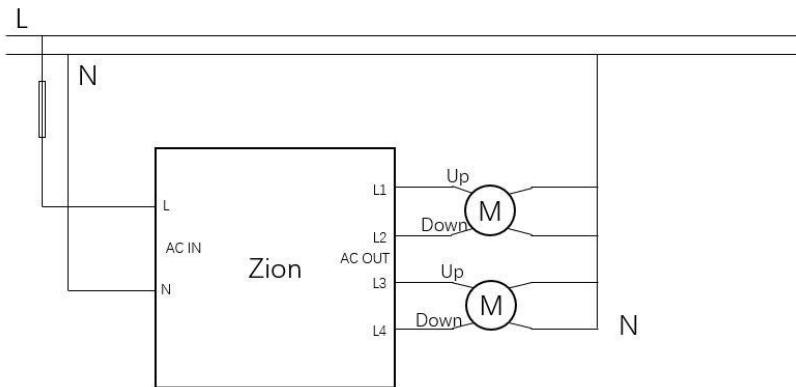
- B. Lighting(Not Dim)



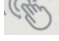
- C. Thermostat



D. Electric Curtain



4) Connect network

- A. Enter the network config mode: long press  button as around 5 s then release, Indicator light turn to green breathing light.
- B. Mobile phone connected to 2.4G wireless hotspot.

5) Press "+" In the top right corner of the homepage, Click "Add Device". Follow the prompts to complete the network config.

6) Configure the device: follow the App prompt and select the device type according to the wiring.

7) Control device

- A. Remotely control the device through the App device page
- B. Control the device through the touch panel corresponding button



## 6. NOTES

This equipment has been tested and found to comply with the limits for a Class B digital device, pursuant to Part 15 of the FCC Rules. These limits are designed to provide reasonable protection against harmful interference in a residential installation. This equipment generates uses and can radiate radio frequency energy and, if not installed and used in accordance with the instructions, may cause harmful interference to radio communications. However, there is no guarantee that interference will not occur in a particular installation. If this equipment does cause harmful interference to radio or television reception, which can be determined by turning the equipment off and on, the user is encouraged to try to correct the interference by one or more of the following measures:

- Reorient or relocate the receiving antenna.
- Increase the separation between the equipment and receiver.
- Connect the equipment into an outlet on a circuit different from that to which the receiver is connected.
- Consult the dealer or an experienced radio/TV technician for help.

This device complies with part 15 of the FCC Rules. Operation is subject to the following two conditions: (1) This device may not cause harmful interference, and (2) this device must accept any interference received, including interference that may cause undesired operation.

Any Changes or modifications not expressly approved by the party responsible for compliance could void the user's authority to operate the equipment.

The antenna(s) used for this transmitter must be installed to provide a separation distance of at least 20 cm from all persons and must not be co-located or operating in conjunction with any other antenna or transmitter.